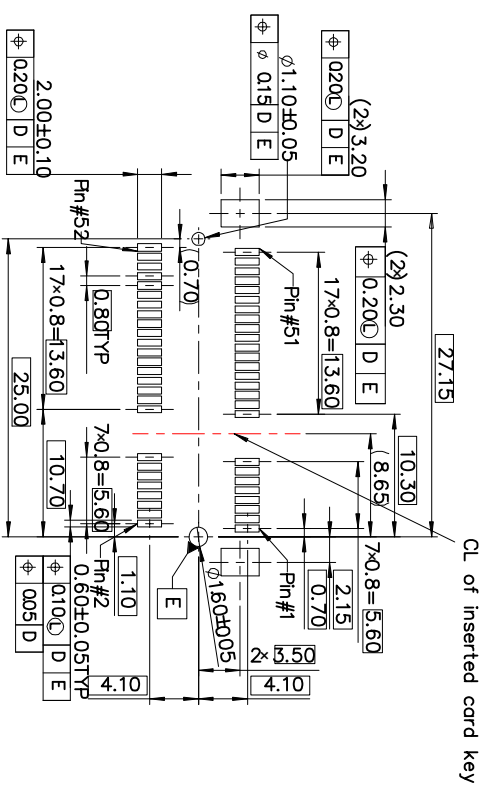
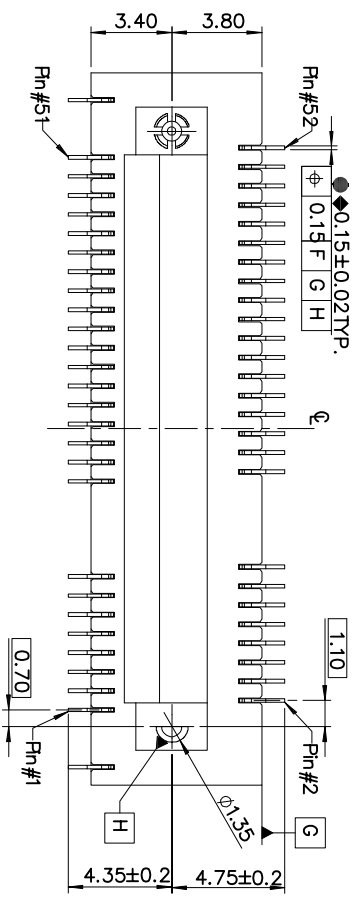
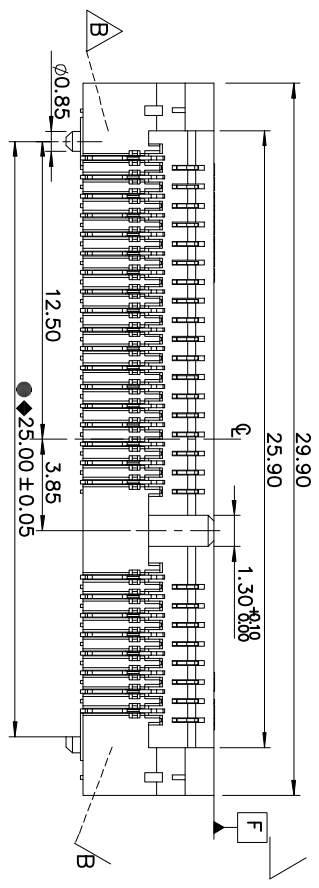
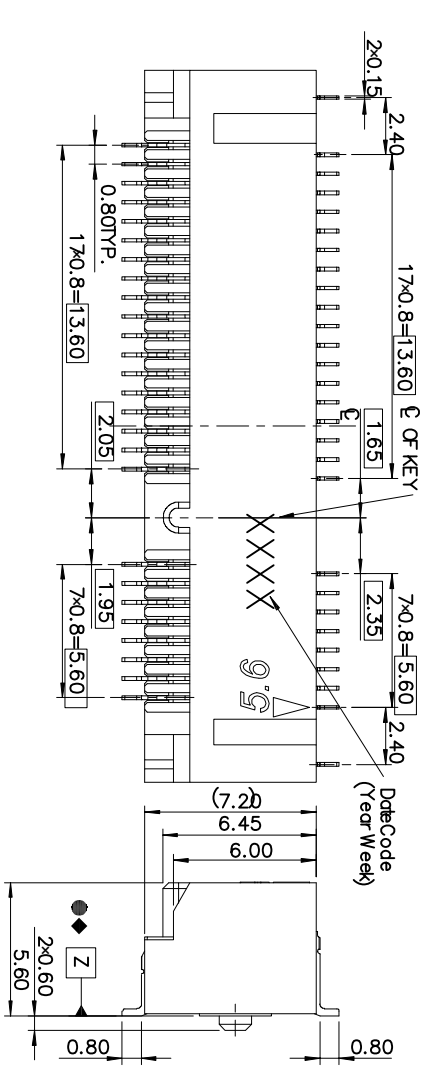


REV.	ECN NO.	MODIFY MATTER	DATE	APPROVED
A		RELEASE TO PRODUCTION	2013/02/05	Mke

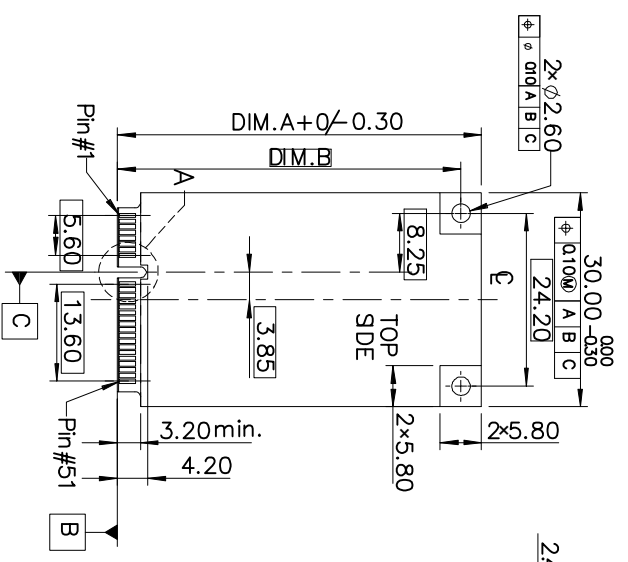


- NOTE:
- SOLDER TAIL TO BE WITHIN 0.05PW AND 0.2DOWNWARD FROM ZD ATUM PLACE, AND COPPLANARITY OF SOLDER TAIL TO BE WITHIN 0.10 MEASUREMENT POINT IS SOLDER TAIL TIP.
  - HSEHSF CONCRRAFT LEVEL 1
  - MATERIAL: HOUSING HIGH-TEMPERATURE PLASTIC, COLOR: BLACK, U 94V-0
  - TERMINAL: COPPER ALLOY
  - 4FINISH: TERMINAL: NICKEL UNDERPLATING ALL OVER BASE MATERIAL CONTACT AREA, GOLD FLASH PLATING OVER UNDERPLATE SOLDER AREA; GOLD FLASH PLATING OVER UNDERPLATE
  - INSPECTION SYMBOL:
    - MANUFACTURER INSPECTION
    - Q.C INSPECTION

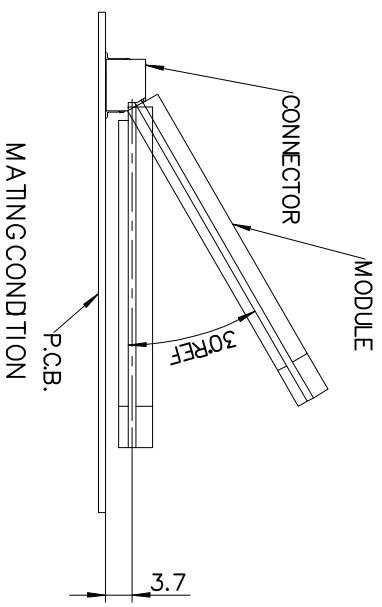
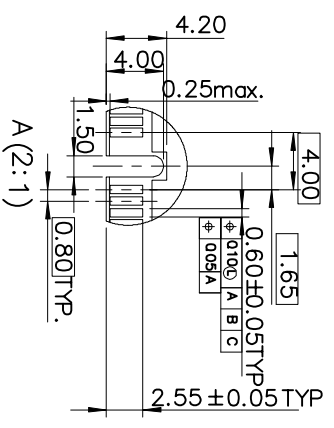
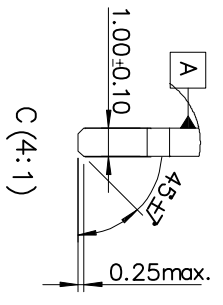
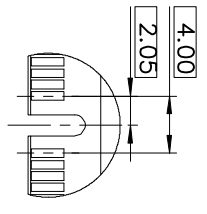
TOLERANCES UNLESS OTHERWISE SPECIFIED:		INSPECTION COPY	深圳市东方御业科技有限公司	
X	± 0.38	DRAWN: chenlei	W.W./D.F. YCCDN.COM TEL: 0755-27155560	
X	± 0.25	CHECKED: qinlx	TITLE: MINI PCIe 52P H5.6	
X	± 0.20	APPROVED: qinlx	PART NO: EAST-MX052P-56H	
Angle	± 3°	DATE: 2013/02/05	UNIT: mm	
THESE DRAWING AND SPECIFICATION ARE THE PROPERTY OF Shenzhen dongfangyue CO.,LTD. SHALL NOT BE REPRODUCED.		SCALE: N/A	SHEET: 1/1	

NOT SCALE PRINT

REV.	EQN. NO.	MODIFY MATTER	DATE	APPROVED
A		RELEASE TO PRODUCTION	2013/02/05	Mik



APPLICABLE MODULE DIMENSION



MATING CONDITION

TOLERANCES UNLESS OTHERWISE SPECIFIED:		INSPECTION COPY		DRAWN: chenlei		CHECKED: qinkx		APPROVED: qinkx	
X	± 0.38	深州市东方御业科技有限公司		2013/02/05		2013/02/05		2013/02/05	
X	± 0.25	W.W.DF.YYCDNN.COM		TEL:0755-27155560		PART NO: EAST-MX052P-56H		SCALE: N/A	
X	± 0.20	www.dfyycdm.com		TEL:0755-27155560		MINI PCIe 52P H5.6		SHEET: 1/1	
X	± 3°	www.dfyycdm.com		TEL:0755-27155560		EAST-MX052P-56H		REX: A	
THESE DRAWING AND SPECIFICATION ARE THE PROPERTY OF Shenzhen dongfangyue CO.,LTD. SHALL NOT BE REPRODUCED.									

DO NOT SCALE PRINT