

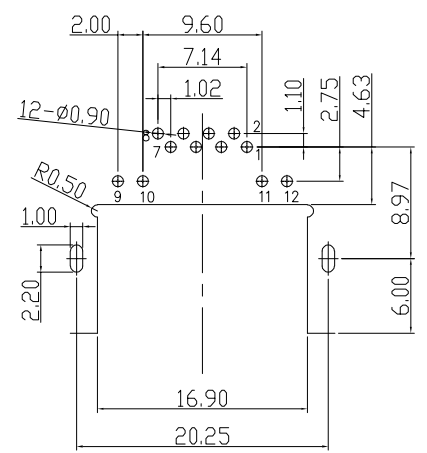
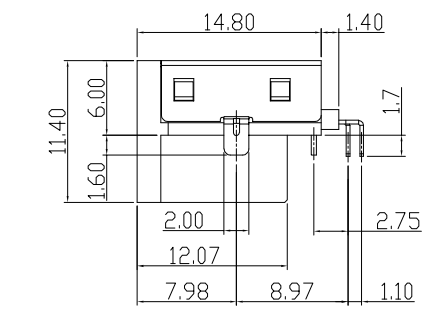
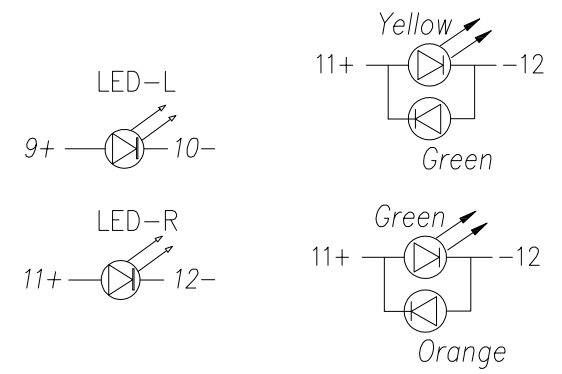
REV.	ECN NO.	MODIFY MATTER	DATE	APPROVED
A		RELEASE TO PRODUCTION		

SPECIFICATION

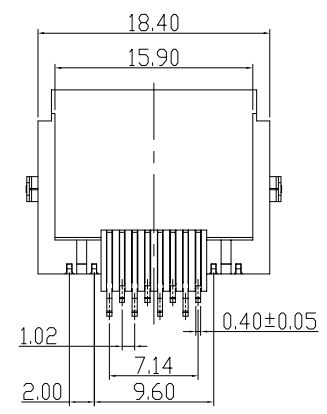
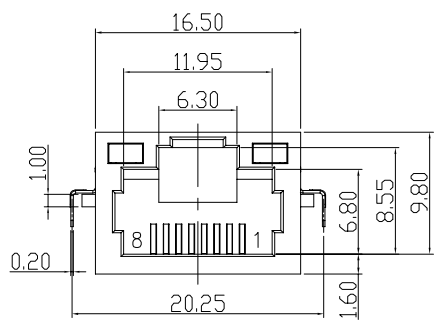
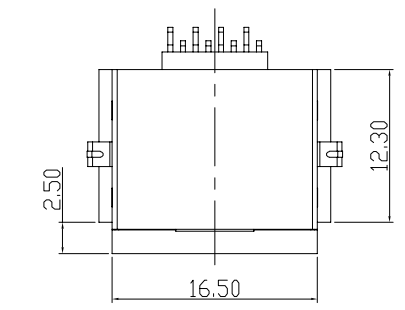
- VOLTAGE RATING: 150 VAC RMS.
- CURRENT RATING: 1.5 AMP
- CONTACT RESISTANCE: 40 mΩ MAX
- INSULATION RESISTANCE: 500MΩ MIN.
- WITHSTAND VOLTAGE:
AC1000V RMS 50Hz or 60Hz MIN.
- OPERATING TEMPERATURE: -40°C~+80°C

Part No.:
EAST-BX11-600X6-P

TABLE1		Table3				
X	Terminal Plating	X	LED-L	LED-R	X	包装方式
0	G/F Plating	1	GREEN	YELLOW	C	卷带包装
1	Au 3u" Plating	2	YELLOW	GREEN	P	吸塑盒包装
2	Au 6u" Plating	3	YELLOW	YELLOW/GREEN		
3	Au 15u" Plating	4	GREEN	YELLOW/GREEN		
4	Au 30u" Plating	5	YELLOW/GREEN	YELLOW		
		6	YELLOW/GREEN	GREEN		



Recommend PCB Layout
(Jack Top View)
Tolerance: ±0.05mm
Recommend PCB Thickness: 1.2mm



e	LED-R	1	SEE TABLE1		
d	LED-L	1	SEE TABLE1		
c	SHELL	1	BRASS T=0.2mm	Ni PALTING	
b	TERMINAL	8	PHOSPHOR BRONZE T=0.3mm	Au PALTING	
a	HOUSING	1	LCP UL94V-0	BLACK	
NO.	PART NAME	Q'TY	MATERIAL	PLATING & COLOR	Remark

TOLERANCES UNLESS OTHERWISE SPECIFIED: X. --- X.X ± 0.38 X.XX ± 0.25 X.XXX ± 0.10 Angle ±1°		COSTOMER COPY		深圳市东方御业科技有限公司 WWW.DFYCCONN.COM TEL:0755-27155560	
DRAWN: CHENLEI		2017/09/10		TITAL: RJ45 H6.00 LED	
CHECKED: CHENLEI		2017/09/10		PART NO: EAST-BX11-600X6-P	
APPROVED: QINKAIXING		2017/09/10		DRAWING NO: (RoHS)	
THESE DRAWING AND SPOIFICATION ARE THE PROPERTY OF Shenzhen Dongfangyue ELECTRONIC CO.,LTD. SHALL NOT BE REPRODUCED.		UNIT: mm		SCALE: N/A	
				SHEET: 1:1	
				REV.	