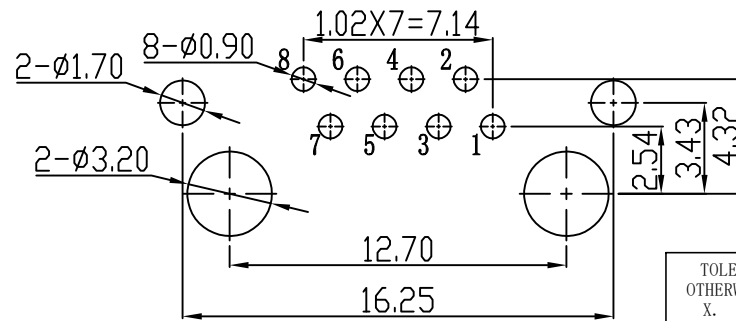
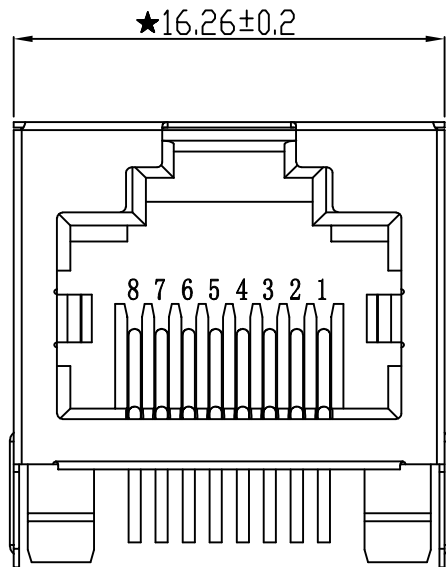
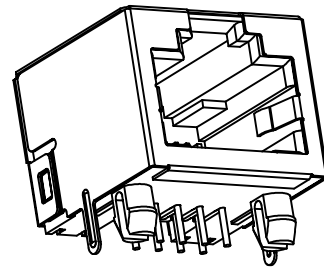
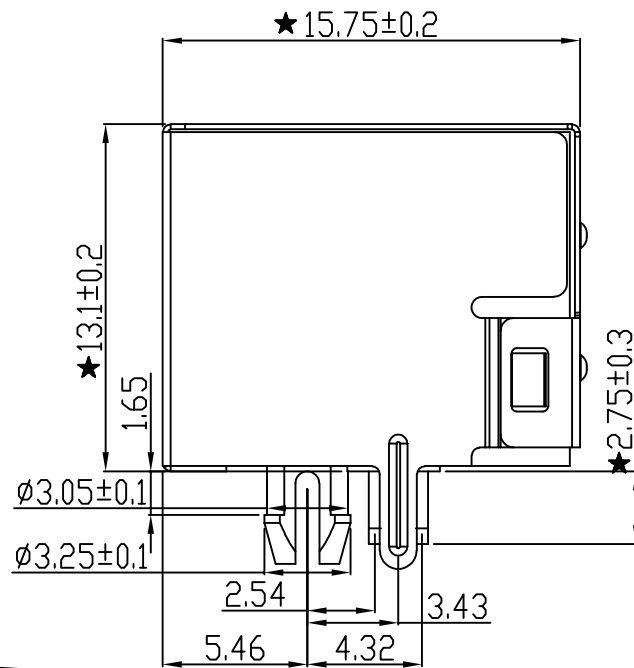
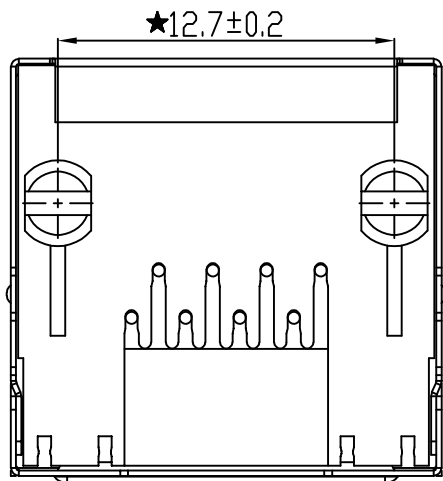


REV.	ECN NO.	MODIFY MATTER	DATE	APPROVED
A		RELEASE TO PRODUCTION		



PC Board Layout

NOTES:

ELECTRICAL:

- VOLTAGE RATING: 125 VAC RMS.
- CURRENT RATING: 1.5 AMP.
- CONTACT RESISTANCE: 30 MILLIOHMS MAX.
- INSULATION RESISTANCE: 500 MEGOHMS MIN @ 500 VDC.
- DIELECTRIC STRENGTH: 1000 VAC RMS 50Hz or 60Hz, 1MIN.

MECHANICAL:

- INSERT MATERIAL: UL94V-0.
- CONTACT MATERIAL: DIAMETER 0.46MM PHOSPHOR BRONZE GOLD PLATING OVER NICKEL.
- SHIELD: 0.20MM THICKNESS H65Y BRASS NICKEL PLATED.
- MATING/UNMATING FORCE: 2.2KG. F MAX.
- RETENTION STRENGTH: 7.7KG. F MIN BETWEEN JACK AND PLUG.
- OPERATING LIFE: 750 CYCLES MIN.

ENVIRONMENTAL:

- STORAGE: -40°C ~ +85°C RELATIVE HUMIDITY<70%.
- OPERATION: -40°C ~ +85°C.

Remark:

- The mark with★ is the key inspection dimension for QC.

EAST-56A-31880011101

56LED SERIES PCB JACK
(56LED系列PCB接口)

CONTACTS(金针根数):

- 1-1. 2. 3. 6 PIN; 2-2CONTACTS (2C);
- 4-4CONTACTS (4C); 6-6CONTACTS (6C);
- 8-8CONTACTS (8C)

PLASTIC(塑料):

- 1-PBT;
- 2-NYLON66(尼龙66);
- 3-NYLON46(尼龙46)

COLOR(颜色):

- 1-BLACK(黑色); 2-WHITE(白色);
- 3-GRAY(灰色); 5-YELLOW(黄色);
- 6-RED(红色); 7-GREEN(绿色);
- 8-BLUE(蓝色)

GOLD PLATING(镀金厚度):

- 1-FU"; 2-1.5U"; 3-3U"; 4-6U";
- 5-15U"; 6-30U"; 7-50U"

TOLERANCES UNLESS OTHERWISE SPECIFIED:

X.	---
X.X	± 0.38
X.XX	± 0.25
X.XXX	± 0.10
Angle	± 1°

THESE DRAWING AND SPECIFICATION ARE THE PROPERTY OF Shenzhen Dongfangyue ELECTRONIC CO., LTD. SHALL NOT BE REPRODUCED.

CUSTOMER COPY	深圳市东方御业科技有限公司 WWW.DFYCONN.COM TEL:0755-27155560	
---------------	--	--

DRAWN: CHENLEI	2017/09/10	TITIAL: RJ45 90度无灯无弹片 56S 1X1 8P8C (RoHS)
CHECKED: CHENLEI	2017/09/10	PART NO: EAST-56A-31880011101
APPROVED: QINKAIXING	2017/09/10	UNIT: mm SCALE: N/A SHEEL: 1:1 REV.