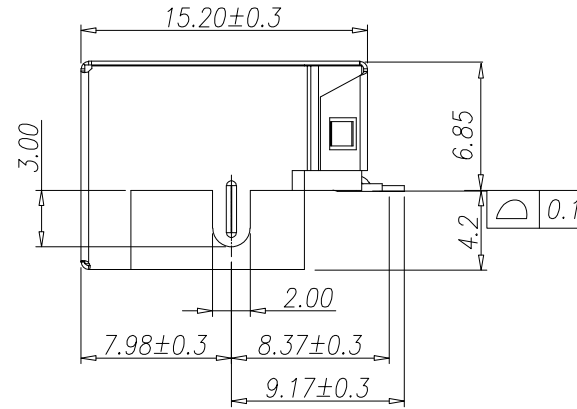
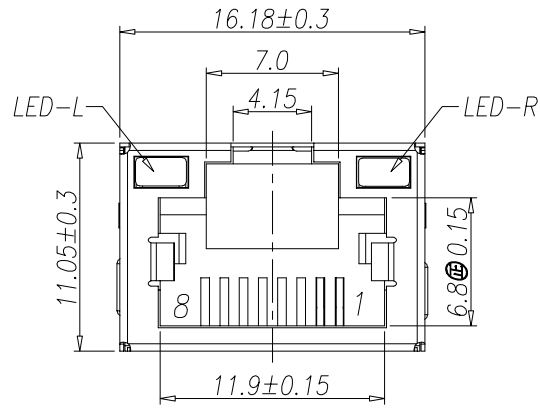


REV.	ECN NO.	MODIFY MATTER	DATE	APPROVED
A		RELEASE TO PRODUCTION		



SPECIFICATIONS:

1. RJ Electrical Characteristics

- 1-1: Voltage: 150V AC RMS
- 1-2: Current Rating: 1.5A
- 1-3: Contact Resistance: $40m\Omega$ MAX.
- 1-4: Insulation Resistance: $500M\Omega$ MIN.
- 1-5: Dielectric Withstang Voltage :1000V AC
- 1-6: Operature Temperature: $-40^{\circ}C \sim 80^{\circ}C$

EAST-B011-420X2-P

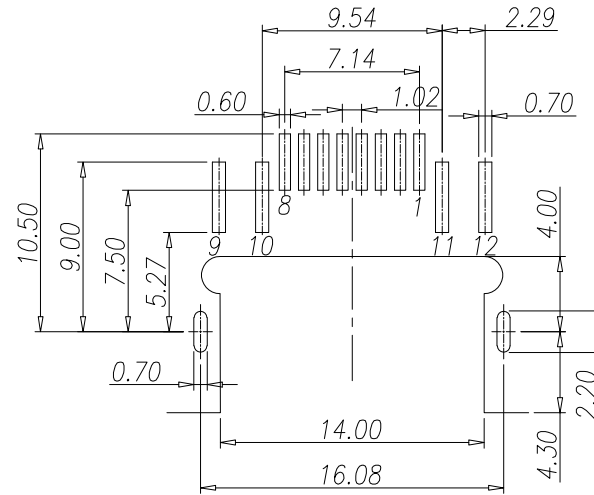
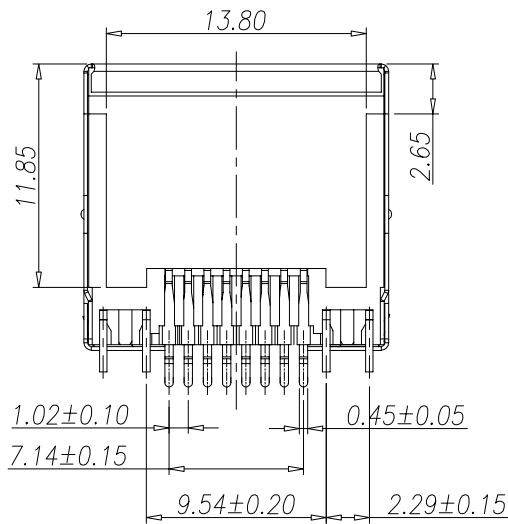
X	Color	housing Material
B	Black	LCP UL94V-0
O	Orange(151C)	PA9T UL94V-0
Y	Yellow(130C)	PA9T UL94V-0

Table3

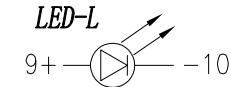
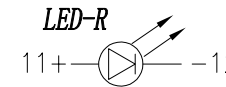
X	包装方式
C	卷带包装
P	吸塑盒包装

X	Terminal Plating
0	Au 1u" Plating
1	Au 3u" Plating
2	Au 6u" Plating
3	Au 15u" Plating
4	Au 30u" Plating
5	Au 50u" Plating

X	LED-L	LED-R
1	GREEN	YELLOW
2	YELLOW	GREEN
3	YELLOW	YELLOW/GREEN
4	GREEN	YELLOW/GREEN
5	YELLOW/GREEN	YELLOW
6	YELLOW/GREEN	GREEN



Recommend PCB Layout
(Jack Top View)
Tolerance: $\pm 0.05mm$



TOLERANCES UNLESS OTHERWISE SPECIFIED:		COSTOMER COPY		深圳市东方御业科技有限公司	
X.	----			WWW.DFYCONN.COM TEL:0755-27155560	
X.X	± 0.38	DRAWN:	2017/09/10	TITAL: RJ45 H6.00mm	
X.XX	± 0.25	CHENLEI			
X.XXX	± 0.10	CHECKED:	2017/09/10	PART NO: EAST-B011-420X2-P	
Angle	$\pm 1^{\circ}$	CHENLEI		DRAWING NO: (RoHS)	
THESE DRAWING AND SPECIFICATION ARE THE PROPERTY OF Shenzhen Dongfangyuye ELECTRONIC CO., LTD. SHALL NOT BE REPRODUCED.		APPROVED:	2017/09/10	UNIT: mm	SCALE: N/A
		QINKAIXING		SHEET: 1:1	REV.