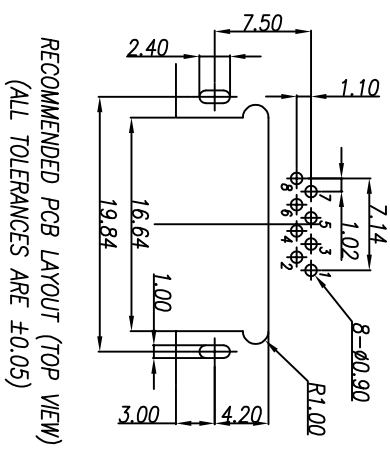
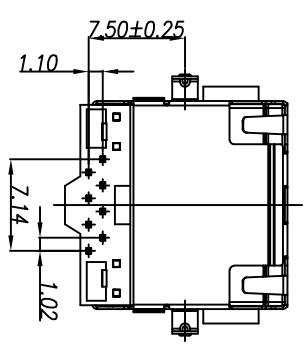
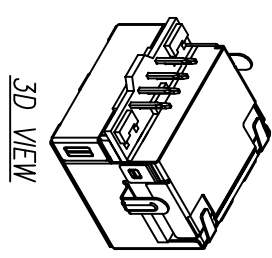
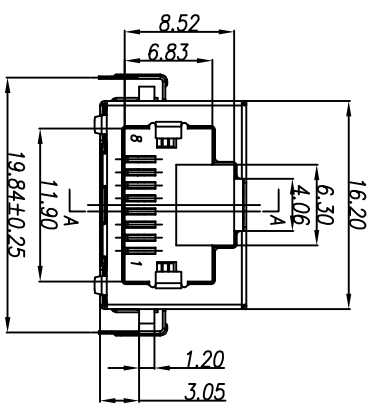
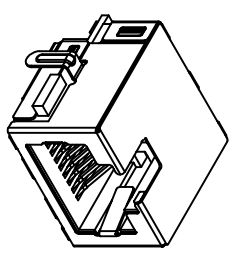
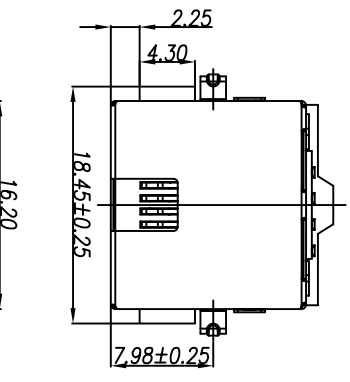
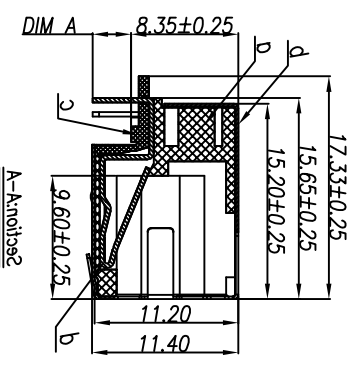


REV.	ECN NO.	MODIFY MATTER	DATE	APPROVED
A		RELEASE TO PRODUCTION		

- Specifications:
1. Rated Current: 1.5A
  2. Contact resistance: 40mΩ MAX.
  3. Insulation resistance: 500MΩ MIN.
  4. Dielectric withstand: 500V AC for 1 minute
  5. Operating temperature: -40°C~+80°C
  6. Insertion/Extraction life: 750 Cycles



RECOMMENDED PCB LAYOUT (TOP VIEW)  
(ALL TOLERANCES ARE ±0.05)



EAST-B011-83501-X

Table 2

X	Terminal Plating
0	Au 1u" Plating
1	Au 3u" Plating
2	Au 6u" Plating
3	Au 15u" Plating
4	Au 30u" Plating
5	Au 50u" Plating

Table 3

X	包装方式
C	卷带包装
P	吸塑盒包装

Table 1

X	Color	housing Material
B	Black	LCP UL94V-0
0	Orange(151C)	PA9T UL94V-0
Y	Yellow(130C)	PA9T UL94V-0

TOLERANCES UNLESS OTHERWISE SPECIFIED:  
X: ± 0.38  
X.X: ± 0.25  
X.XXX: ± 0.10  
Angle: ±1°

THESE DRAWING AND SPECIFICATION ARE THE PROPERTY OF Shenzhen Dongfangyue Electronic Co., Ltd. SHALL NOT BE REPRODUCED.

CUSTOMER COPY

深圳市东方御业科技有限公司  
WWW.DFYCCNN.COM TEL:0755-27155560

DRAWN: CHENLEI 2017/09/10  
CHECKED: CHENLEI 2017/09/10  
APPROVED: QINKAXING 2017/09/10

PART NO: EAST-B011-83501-X  
UNIT: mm  
SCALE: N/A  
SHEET: 1/1

PRJ NO: RJ45 H8.35  
DRAWING NO: (REHS)