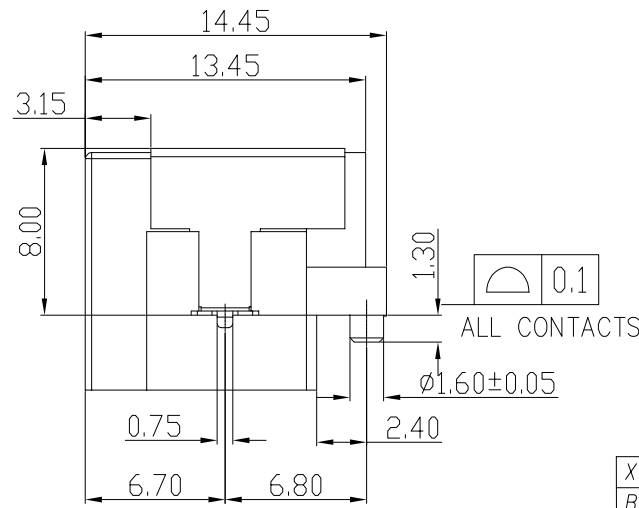
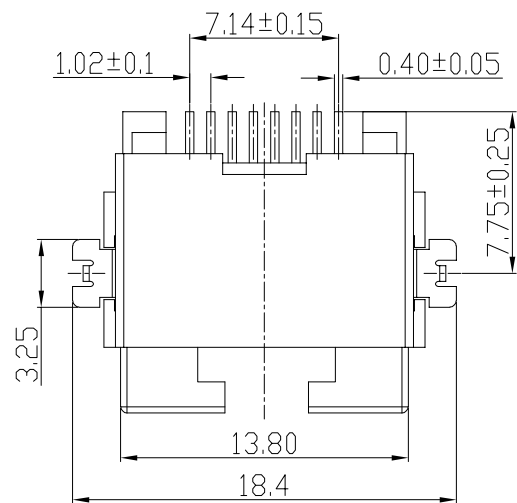


REV.	ECN NO.	MODIFY MATTER	DATE	APPROVED
A		RELEASE TO PRODUCTION		

SPECIFICATIONS:

1. Voltage: 150V AC RMS
2. Current Rating: 1.5A
3. Contact Resistance: 40mΩ MAX.
4. Insulation Resistance: 500MΩ MIN.
5. Dielectric Withstang Voltage :500V AC
6. Operature Temperature: -40°C~80°C
7. Durability: 750 Mating Cycles MIN.



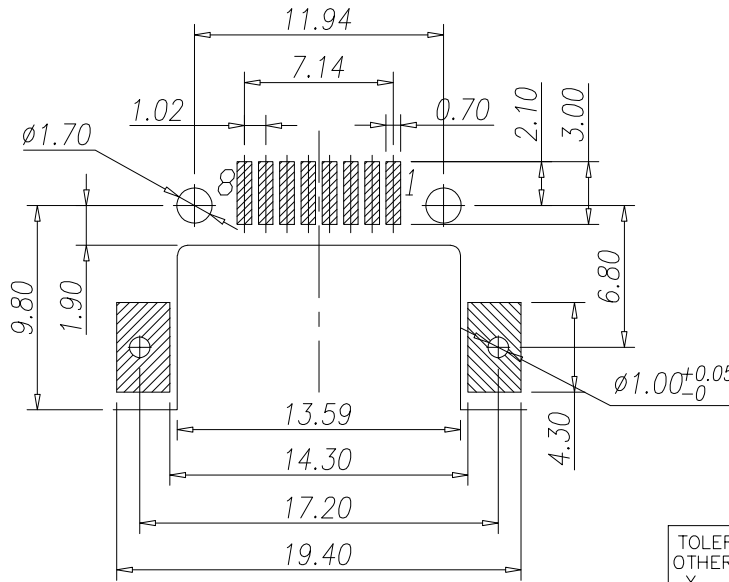
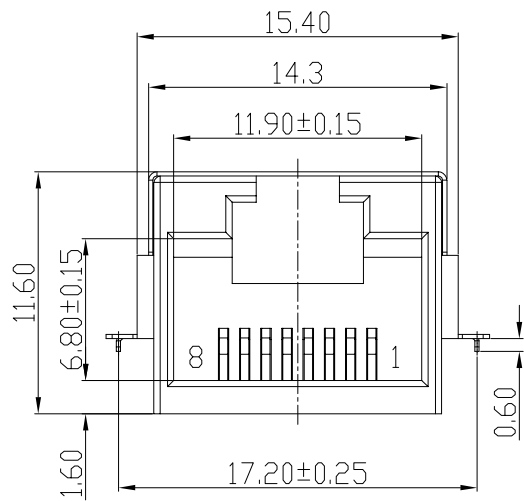
EAST-B011-80002-P

X	Color	housing Material
B	Black	LCP UL94V-0
O	Orange(151C)	PA9T UL94V-0
Y	Yellow(130C)	PA9T UL94V-0

Table3

X	包装方式
C	卷带包装
P	吸塑盒包装

X	Terminal Plating
0	Au 1u" Plating
1	Au 3u" Plating
2	Au 6u" Plating
3	Au 15u" Plating
4	Au 30u" Plating
5	Au 50u" Plating



Recommend PCB Layout
Jack Top View
Tolerance: ±0.05mm

TOLERANCES UNLESS OTHERWISE SPECIFIED: X. --- X.X ± 0.38 X.XX ± 0.25 X.XXX ± 0.10 Angle ±1°		COSTOMER COPY 深圳市东方御业科技有限公司 WWW.DFYCCONN.COM TEL:0755-27155560	
DRAWN: CHENLEI		2017/09/10	
CHECKED: CHENLEI		2017/09/10	
APPROVED: QINKAIXING		2017/09/10	
THESE DRAWING AND SPECIFICATION ARE THE PROPERTY OF Shenzhen Dongfangyue ELECTRONIC CO., LTD. SHALL NOT BE REPRODUCED.		TITIAL: RJ45 H8.00mm SMT	
		PART NO: EAST-B011-80002-P	
		DRAWING NO: (RoHS)	
		UNIT: mm	
		SCALE: N/A	
		SHEEL: 1:1	
		REV.	