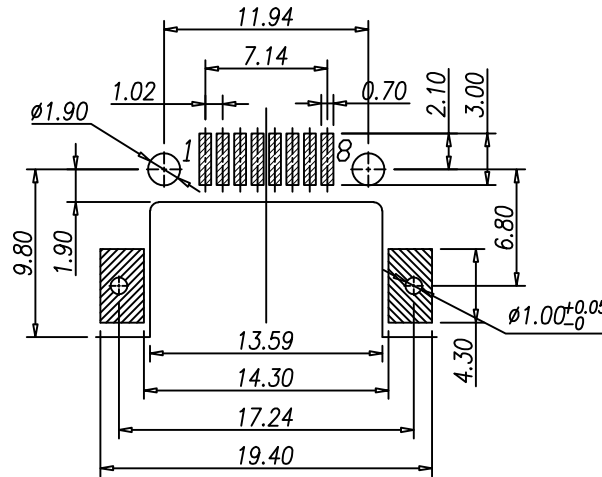
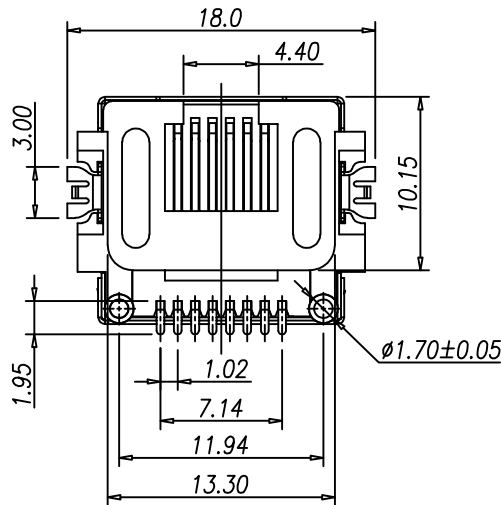
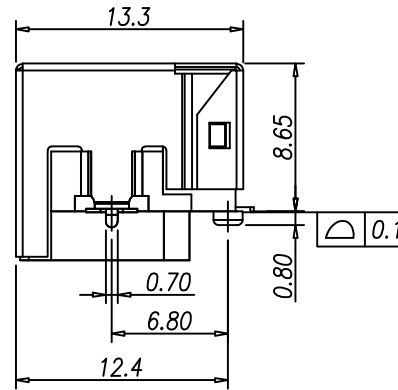
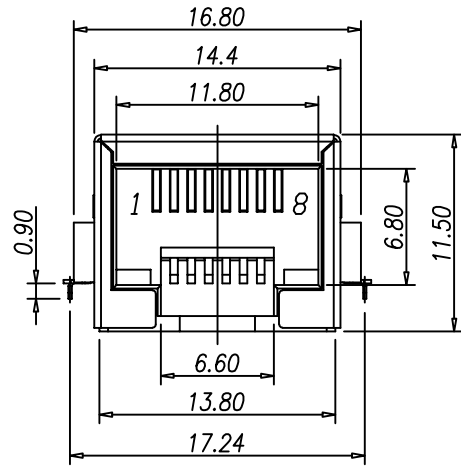


REV.	ECN NO.	MODIFY MATTER	DATE	APPROVED
A		RELEASE TO PRODUCTION		

SPECIFICATIONS:

1. Voltage: 150V AC RMS
2. Current Rating: 1.5A
3. Contact Resistance: 40mΩ MAX.
4. Insulation Resistance: 500MΩ MIN.
5. Dielectric Withstang Voltage :1000V AC
6. Operature Temperature: -40°C~80°C
7. Durability: 750 Mating Cycles MIN.



Recommend PCB Layout
(Jack Top View)
Tolerance: ±0.05mm

EAST-B011-86501-X

Table2

X	Terminal Plating
0	Au 1u" Plating
1	Au 3u" Plating
2	Au 6u" Plating
3	Au 15u" Plating
4	Au 30u" Plating
5	Au 50u" Plating

A02

Table1

X	Color	housing Material
B	Black	LCP UL94V-0
O	Orange(151C)	PA9T UL94V-0
Y	Yellow(130C)	PA9T UL94V-0

A03

Table3

X	包装方式
C	卷带包装
P	吸塑盒包装

A04

TOLERANCES UNLESS OTHERWISE SPECIFIED: X. --- X.X ± 0.38 X.XX ± 0.25 X.XXX ± 0.10 Angle ±1°	COSTOMER COPY	深圳市东方御业科技有限公司 WWW.DFYCONN.COM TEL:0755-27155560	
	DRAWN: CHENLEI	2017/09/10	TITIAL: RJ45 H8.65
THESE DRAWING AND SPECIFICATION ARE THE PROPERTY OF Shenzhen Dongfangyuye ELECTRONIC CO., LTD.. SHALL NOT BE REPRODUCED.	CHECKED: CHENLEI	2017/09/10	PART NO: EAST-B011-86501-X
	APPROVED: QINKAIXING	2017/09/10	DRAWING NO: (RoHS)
	UNIT: mm	SCALE: N/A	SHEEL: 1:1