

REV.	ECN NO.	MODIFY MATTER	DATE	APPROVED
A		RELEASE TO PRODUCTION		

Notes:

*Material

Housing: LCP, UL 94V-0 rated; Color: Black.
 Contact: Phosphor Bronze
 Plating: Au Plating on contact area
 Sn(100u"Min) plating on solder Tail.
 Ni(40u"Min) contact underplating overall.
 Harpoon: Brass.
 Plating: Sn(100u" Min.)plating over Ni(40u" Min.).

*Mechanical

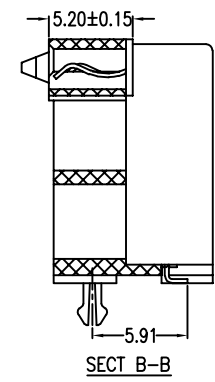
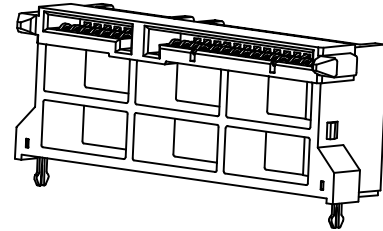
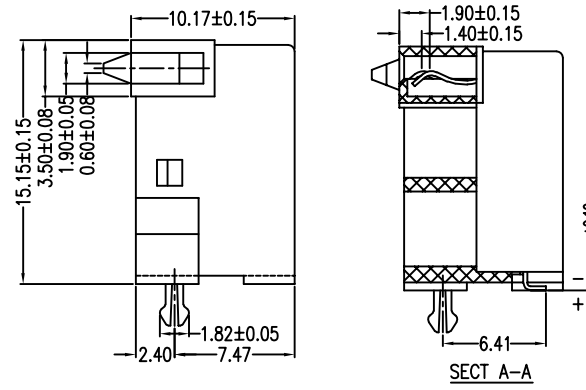
Insertion Force: 20N max.
 Withdrawal Force: 4N min.
 Durability: 500 cycles

*Electrical Specification

Current Rating: 1.5 Ampere per contact
 Contact Resistance: 30 mΩ max.
 Insulation Resistance: 1000 MΩ min.
 Dielectric Withstanding Voltage: 500 VAC

*Environmental

Operating Temperature: -55°C to +85°C

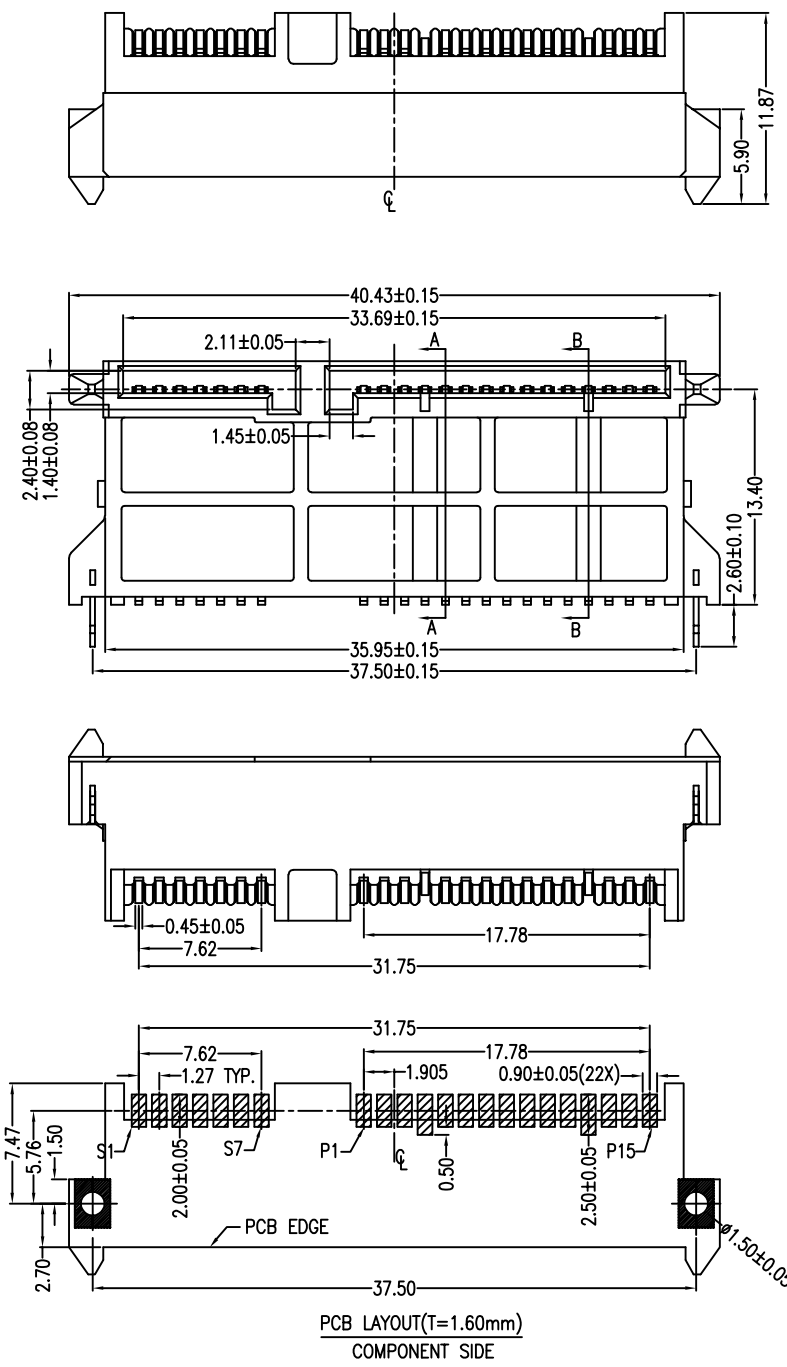


EAST-SA90SDS 15LDCR

90: 卧式
 18: 直立
 SD: SMT
 DP: DIP
 P=公
 S=母
 高度
 15.15mm
 P:PBT
 A:PA66
 L:LCP

包装
 A-Tube,
 B-Reel,
 C-Tray
 U=上接触
 D=下接触

Signal Segment		Power Segment			
Name	Type	Name	Type	Name	Type
S1	GND	P1	V3.3	P9	V5
S2	A+	P2	V3.3	P10	GND
S3	A-	P3	V3.3	P11	DAS/DSS
S4	GND	P4	GND	P12	GND
S5	B-	P5	GND	P13	V12
S6	B+	P6	GND	P14	V12
S7	GND	P7	V5	P15	V12
		P8	V5		



TOLERANCES UNLESS OTHERWISE SPECIFIED:
 X. ± 0.38
 X.XX ± 0.25
 X.XXX ± 0.10
 Angle ± 1°

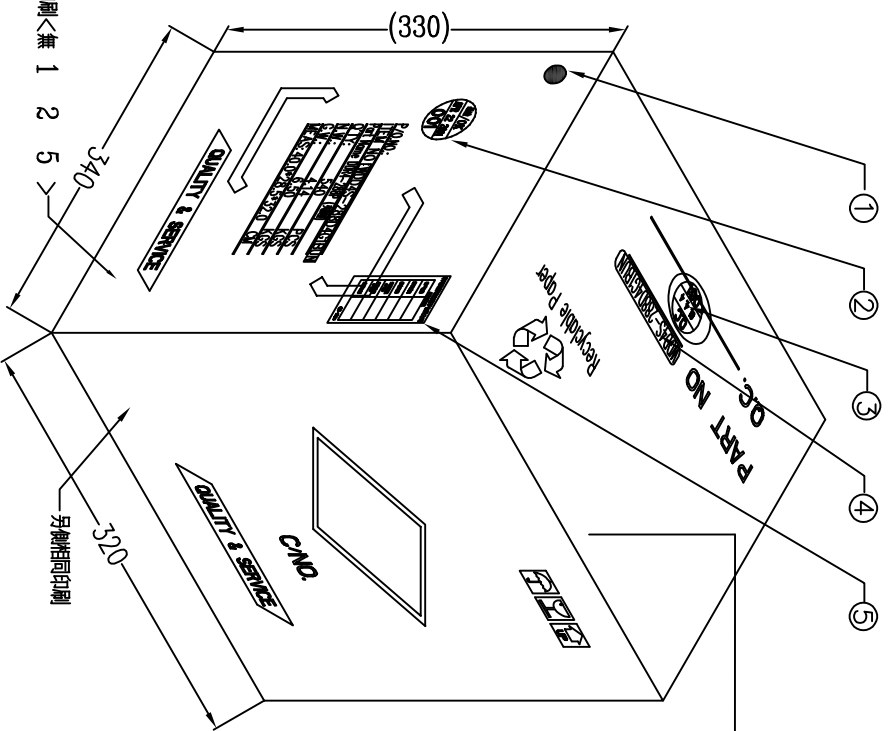
CUSTOMER COPY

深圳市东方御业科技有限公司
 WWW.DFYCONN.COM TEL: 0755-27155560

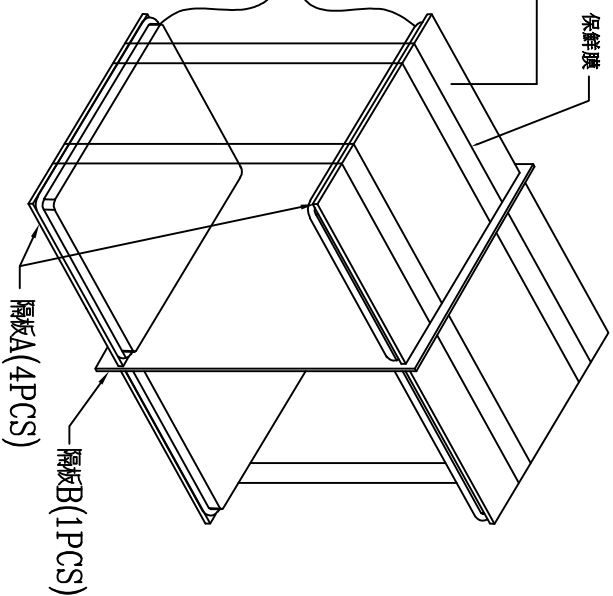
DRAWN: CHENLEI 2017/09/10
 CHECKED: CHENLEI 2017/09/10
 APPROVED: QINKAIXING 2017/09/10

TITIAL: SATA 7+15P Female Reverse SMT Type(Metal Post)(15.15) (RoHS)
 PART NO: DRAWING NO:
 UNIT: mm SCALE: N/A SHEEL: 1:1 REV.

REV.	ECN NO.	MODIFY MATTER	DATE	APPROVED
A		RELEASED	07/21-'15	
REV.	PROD	DESCRIPTION	DATE	
A		RELEASED	07/21-'15	



一扎16盒，
兩扎共32盒，
最上層不放產品。



32TRAYS/900PCS/CARTON

PACKING 30 PCS/TRAY
900 PCS/CARTON
PACKING DETAILS

P/O.NO.:
ITEM NO.: EAST-SA90SDS15LDCR
PART NAME: 平衡式 ATA 7+15P 板下SMT母座(15.15)
Q'TY: 900 PCS
N.W.: 3.56 KGS
G.W.: 6.29 KGS
MEAS.: 34.0X32.0X31.5 CM

包裝說明:

- 1.將產品朝正向下放置，每盒裝30PCS產品，16盒捆一扎，最上層不放產品，產品無需交錯疊放，每扎套一個P型袋，每箱裝兩扎。
- 2.若包裝易吸濕產品在P型袋內加放1包干燥劑，外箱貼易吸濕標籤。

備注: 1.紙箱材質:A=A(雙波型),平材質:A|A(單波型)

- 平+A(4PCS):335*155*3mm
- 平+B(1PCS):335*305*3mm
- 2.P/E袋(透明):550(開口)*600(長)*0.08(厚)mm(2PCS/箱)
- *3.紙箱尺寸為內空間尺寸。

加蓋印記位置:

- 1.月外標記
- 2.品管注介章(檢驗合格章)
- 3.生產製造日期,檢驗員代號.
- 4.該產品的料號.
- 5.出貨明細表

TOLERANCES UNLESS OTHERWISE SPECIFIED:		COSTOMER COPY		深州市东方御业科技有限公司		WWW.DFYYCONN.COM TEL:0755-27155560	
X	± 0.38	DRAWN:	2017/09/10	DATE:	2017/09/10	UNIT:	mm
X.X	± 0.25	CHECKED:	2017/09/10	SCALE:	N/A	SHEET:	1:1
X.XX	± 0.10	APPROVED:	2017/09/10	PRINTING NO.:		REV.:	
X.XXX	±1°	QUANXINYANG					

THESE DRAWING AND SPECIFICATION ARE THE PROPERTY OF Shenzhen Dongfangyue Electronic Co., Ltd. SHALL NOT BE REPRODUCED.

8 7 6 5 4 3 2 1