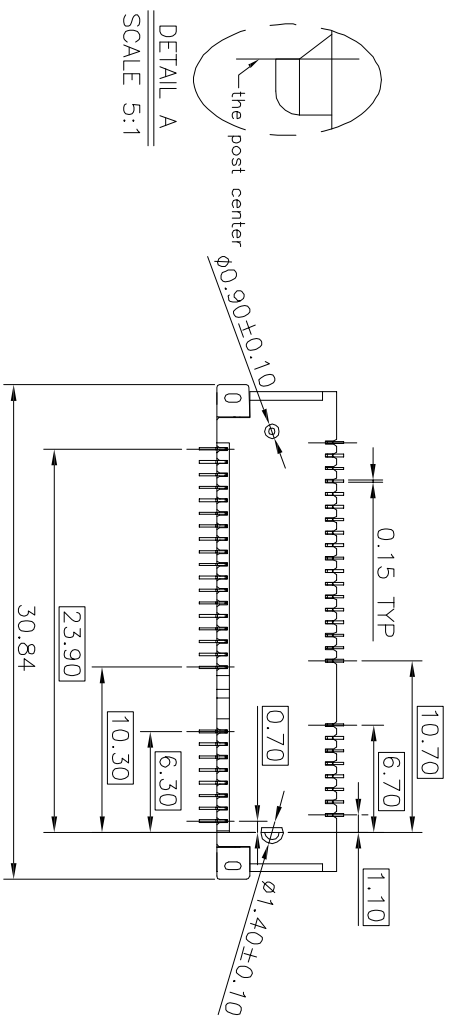
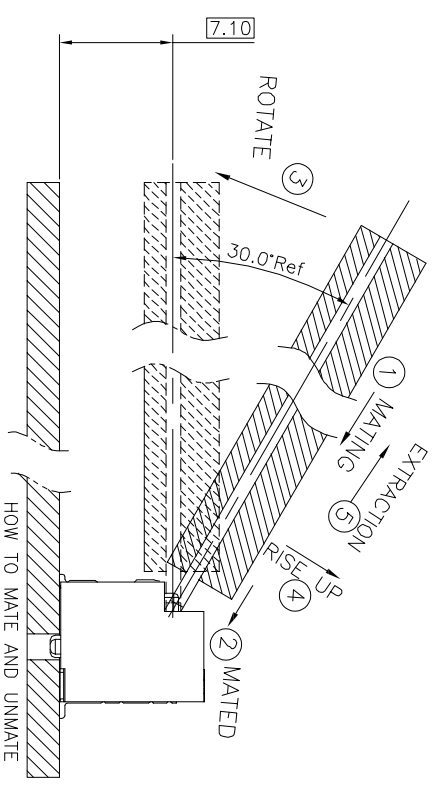
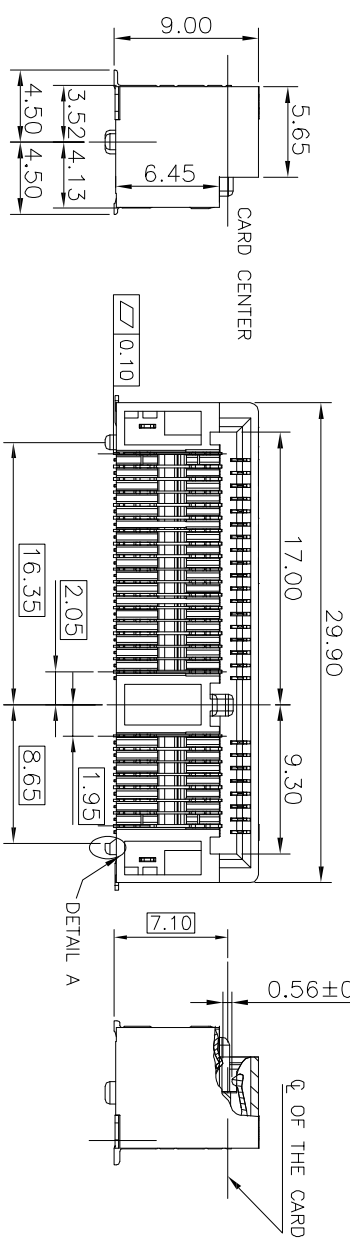
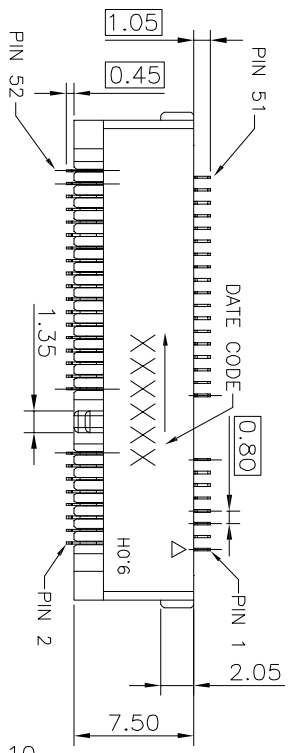


REV.	EQN NO.	MODIFY MATTER	DATE	APPROVED
A		RELEASE TO PRODUCTION	2013/02/05	Mke

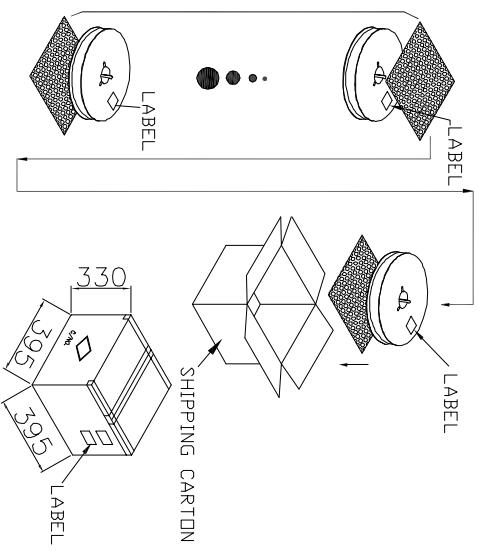
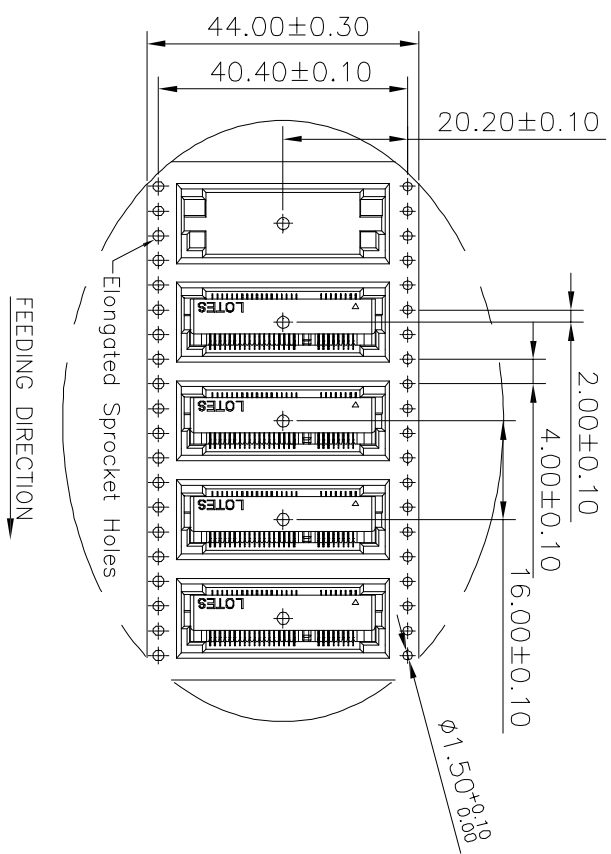
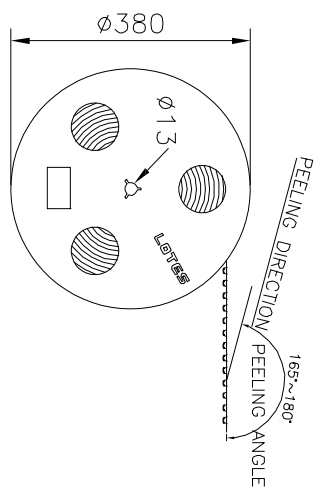
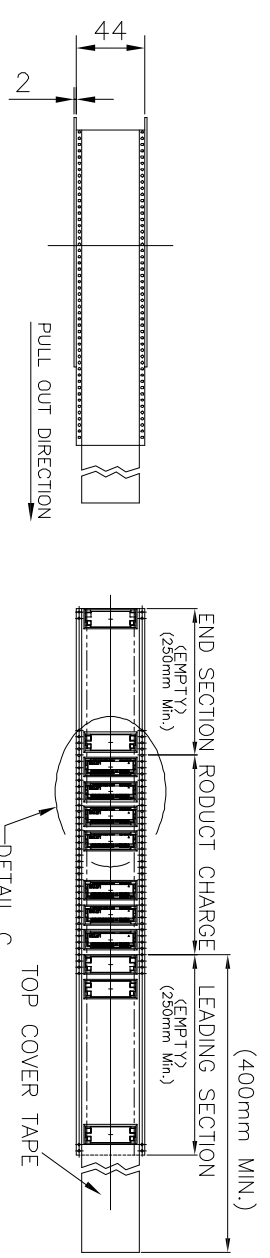


DETAIL A
SCALE 5:1

TOLERANCES UNLESS OTHERWISE SPECIFIED:		INSPECTION COPY	深圳市东方御业科技有限公司	
X	± 0.38	DRAWN: chenlei	WWW.DFYCCDN.COM TEL:0755-27155560	
X X	± 0.25	CHECKED: qinkx	TITLE: MINI PCIE 52P H9.0mm	
X.XXX	± 0.20	APPROVED: qinkx	PART NO: EAST-MX052P-90H	
X:XXX	± 3°	DATE: 2013/02/05	UNIT: mm	
Angle		SCALE: N/A	SHEET: 1/1	
THESE DRAWING AND SPECIFICATION ARE THE PROPERTY OF Shenzhen dongfangyue CO.,LTD. SHALL NOT BE REPRODUCED.		REV: A		

DO NOT SCALE PRINT

REV.	EQN. NO.	MODIFY MATTER	DATE	APPROVED
A		RELEASE TO PRODUCTION	2013/02/05	Miké



- NOTES:
- MATERIAL :
 - CARRY TAPE: PS
 - COVER TAPE: PET
 - SHIPPING CARTON: CORRUGATED FIBER
 - DIMENSION :
 - REEL: W=44.5, ØA=380
 - SHIPPING CARTON: L=395, W=395, H=330 (INNER)
 - QUANTITY :
 - PRIMARY PACKING: 550 PCS/REEL
 - SECONDARY PACKING: 6 REELS/CARTON(3300PCS)
 - PEELING RESISTANCE: 20gf~120gf.
 - PEELING SPEED: 300mm/minutes.

DETAIL C
SCALE 4:1

TOLERANCES UNLESS OTHERWISE SPECIFIED:		INSPECTION COPY		深圳市东方御业科技有限公司	
X	± 0.38	DRAWN: chenlei		WWW.DFYCCDN.COM TEL:0755-27155560	
X X	± 0.25	CHECKED: qinkx		TITLE: MINI PCIE 52P H9.0mm	
X.XXX	± 0.20	APPROVED: qinkx		PART NO: EAST-MX052P-90H	
X.XXX	± 0.20	DATE: 2013/02/05		UNIT: mm	
Angle	± 3°	SCALE: N/A		SHEET: 1/1	
THESE DRAWING AND SPECIFICATION ARE THE PROPERTY OF Shenzhen dongfangyue CO.,LTD. SHALL NOT BE REPRODUCED.		REV: A			

DO NOT SCALE PRINT