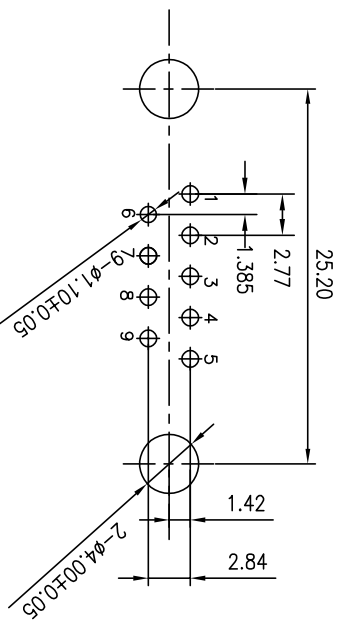
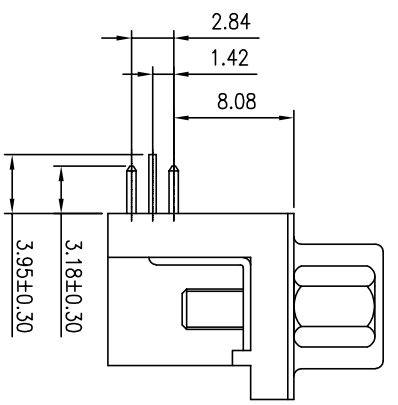
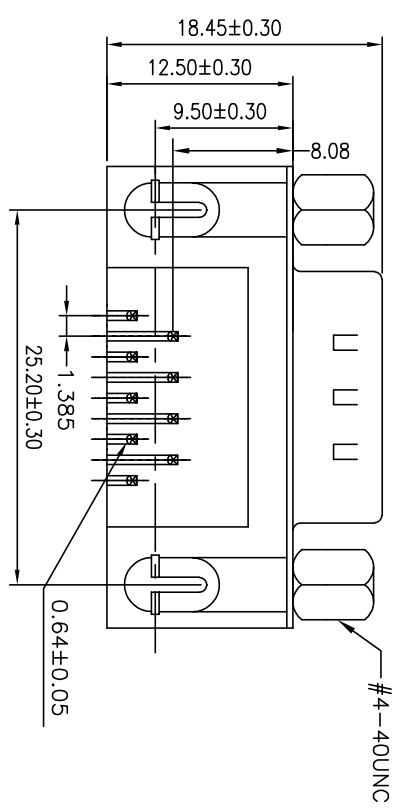
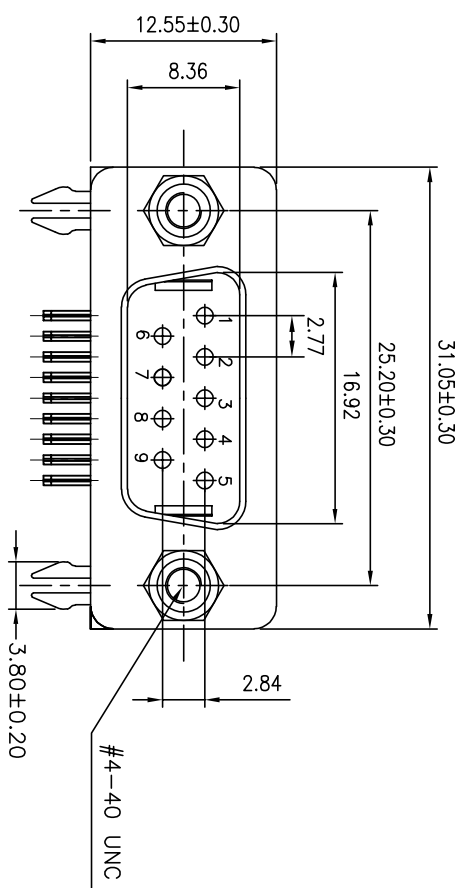


REV.	ECN NO.	MODIFY MATTER	DATE	APPROVED
A		RELEASE TO PRODUCTION		

NOTES :

- MATERIAL :
 - HOUSING/COVER:PBT,UL94V-0
 - CONTACTS : BRASS C2680 T=0.2mm
 - SHIELD:SPCC
 - BOARDLOCK: SPCC.
 - SCREW:SPCC.
- FINISH:
 - CONTACT:
 - GOLD FLASH ON CONTACT AREA.
 - 100 μ " MIN.TIN PLATING ON SOLDERTAILS,
 - 50 μ " MIN. NICKEL UNDERPLATING OVERALL,
 - BOARDLOCK:
 - 100 μ " MIN.TIN PLATING ALL OVER.
 - 50 μ " MIN. NICKEL UNDERPLATING OVERALL,
 - SHIELD: 50 μ " MIN. NICKEL PLATED
 - SCREW: 50 μ " MIN. NICKEL PLATED
- SPECIFICATION:
 - CURRENT RATING:2 AMP.
 - INSULATION RESISTANCE:1000M OHM MIN AT500V DC.
 - DIELECTRIC WITHSTANDING VOLTAGE:500V AC FOR ONE MINUTE.
 - OPERATING TEMPERATURE=-55C+105C.
 - CONTACT RESISTANCE:30m OHM MAX.



EAST-D-SUB-9RX808-X

- BK: 黑色
- BG: 绿色
- BE: 蓝色
- 1: 锁螺丝 4.8*1.8
- 2: 无螺丝
- 3: 附螺丝
- 4: 锁螺丝 5.8*1.8

TOLERANCES UNLESS OTHERWISE SPECIFIED:		DRAWN: Qinx		CHECKED: Chenl		APPROVED: Chenl	
X	± 0.38	2017/09/10	2017/09/10		2017/09/10		
X.X	± 0.25						
X.XX	± 0.20						
X.XXX	± 3°						
THESE DRAWING AND SPECIFICATION ARE THE PROPERTY OF Shenzhen Dongfeng Technology Co., Ltd. ALL RIGHTS RESERVED. NO PART SHALL BE REPRODUCED.							
CUSTOMER COPY 深圳市东方御业科技有限公司 Tel:0755-2715560 WWW.DFYCONN.COM				PART NO: EAST-D-SUB-9RX808-X DR 9P(含)8.08mm 90度黑色 (ReHS)			