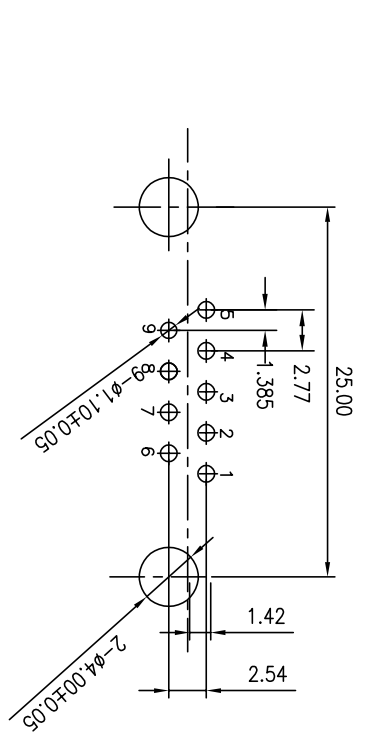
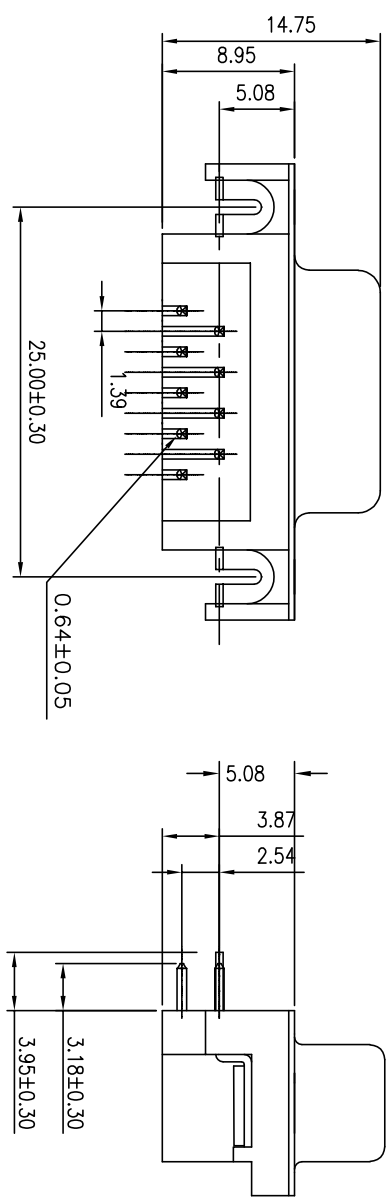
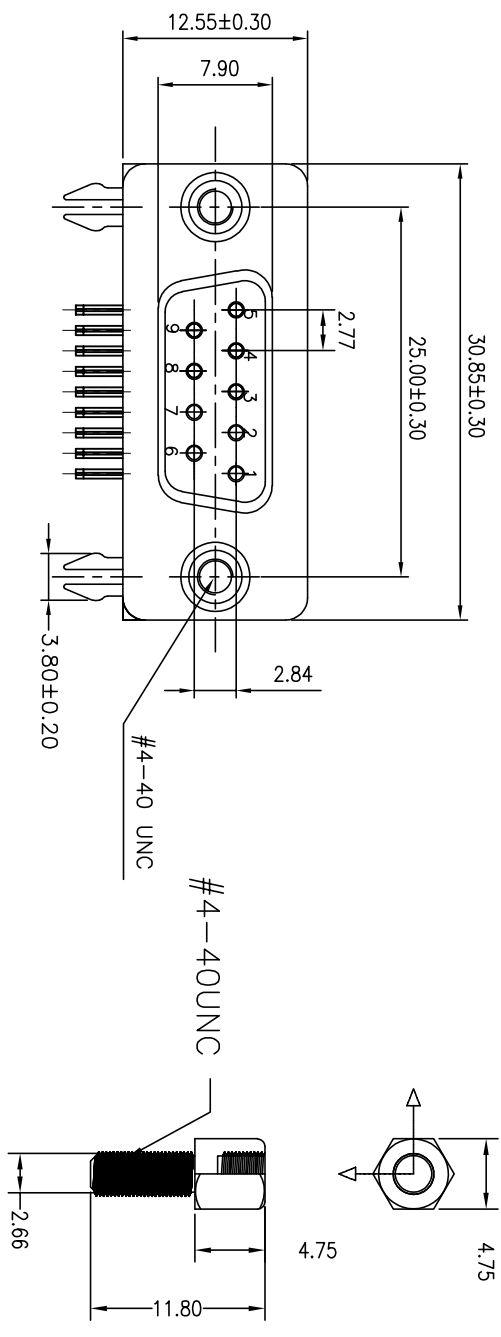
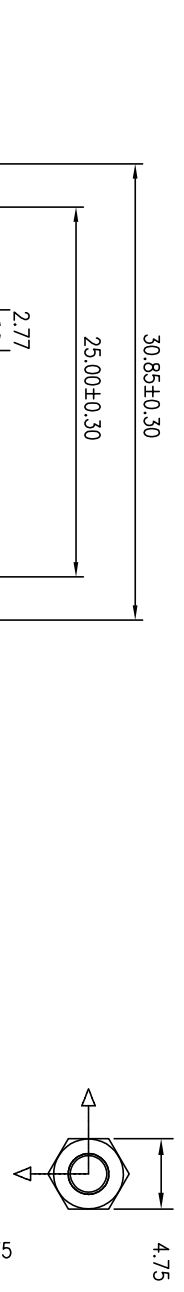


DO NOT SCALE PRINT.

REV.	ECN NO.	MODIFY MATTER	DATE	APPROVED
A		RELEASE TO PRODUCTION		



- NOTES :
- MATERIAL :
 - HOUSING/COVER:PBT,UL94V-0,COLOR:GREEN.
 - CONTACTS : BRASS C2680 T=0.2mm
 - SHIELD:SPCC.
 - BOARDLOCK: SPCC.
 - SCREW:SPCC.
 - FINISH:
 - CONTACT:
 - GOLD FLASH ON CONTACT AREA.
 - 100u" MIN:TIN PLATING ON SOLDERTAILS, 50u" MIN. NICKEL UNDERPLATING OVERALL,
 - 100u" MIN:TIN PLATING ALL OVER.
 - 50u" MIN. NICKEL UNDERPLATING OVERALL,
 - 50u" MIN. NICKEL PLATED
 - BOARDLOCK:
 - 100u" MIN:TIN PLATING ALL OVER.
 - 50u" MIN. NICKEL UNDERPLATING OVERALL,
 - 50u" MIN. NICKEL PLATED
 - SCREW: 50u" MIN. NICKEL PLATED

- CURRENT RATING:2 AMP.
- INSULATION RESISTANCE:1000M OHM MIN AT500V DC.
- DIELECTRIC WITHSTANDING VOLTAGE:500V AC FOR ONE MINUTE.
- OPERATING TEMPERATURE-55°C+105°C.
- CONTACT RESISTANCE:30m OHM MAX.

EAST-D-SUB-9FX508-X

- B: 黑色
G: 绿色
- 1: 锁螺丝 4. 8*11. 8
2: 无螺丝
3: 附螺丝
4: 锁螺丝 5. 8*11. 8

TOLERANCES UNLESS OTHERWISE SPECIFIED:		DRAWING: Qinxk		CHECKED: Chenl		APPROVED: Chenl	
X.X	± 0.38	2017/09/10	2017/09/10		2017/09/10		
X.XX	± 0.25	2017/09/10		2017/09/10			
X.XXX	± 0.20	2017/09/10		2017/09/10			
Angle	± 3°	2017/09/10		2017/09/10			
THESE DRAWING AND SPECIFICATION ARE THE PROPERTY OF Shenzhen Dengfengyu Electronic Co., Ltd. SHALL NOT BE REPRODUCED.							
COSTOMER COPY		深圳市东方御业科技有限公司		Tel:0755-27155560		WWW.DFYCONN.COM	
PART NO:		EAST-D-SUB-9FX508-X		DR 9F(附) W/O PIN		CUSTOMER-DRAWING	
SCALE:		N/A		SHEET:		REV:	