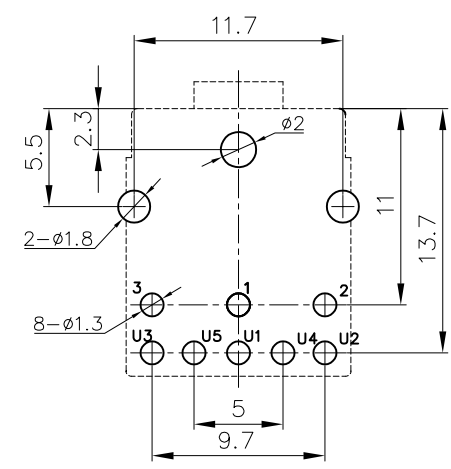
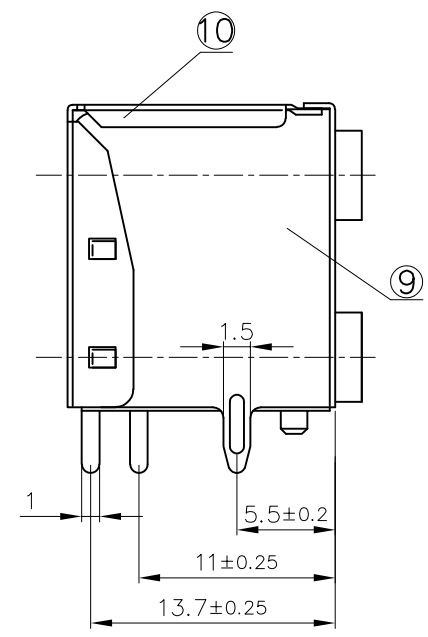
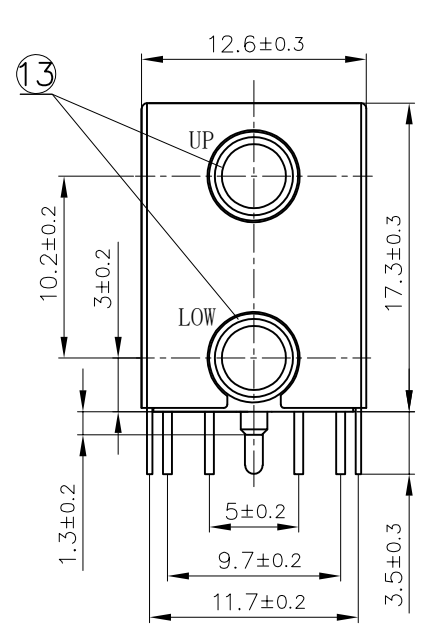
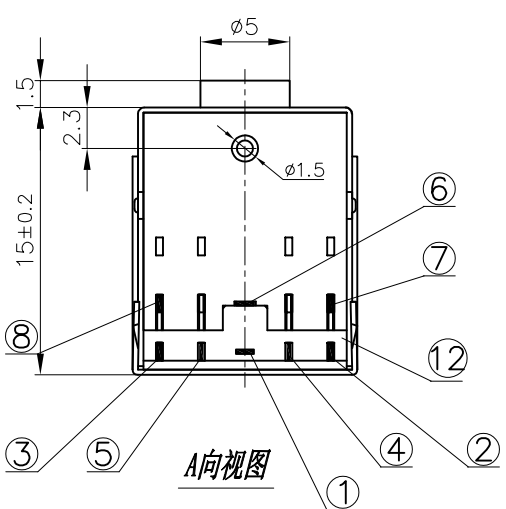


REV.	ECN NO.	MODIFY	MATTER	DATE	APPROVED
A		RELEASE TO PRODUCTION			

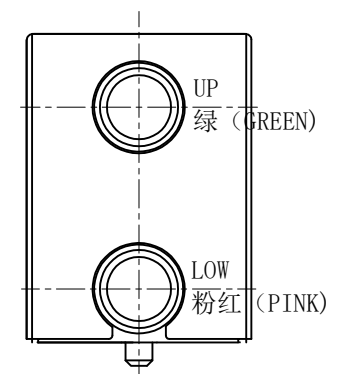


印制电路板示意图
P.C.B. Layout (Bottom View)

- 1. MATERIALS & PLATING:**
 1.1 HOUSING&COVER: PBT+30%G.F, UL94V-0. COLOR: BLACK.
 SLEEVE COVER: PA66+30%G.F, UL94V-0. COLOR:
 ORDER INFORMATION:
 1.2 ALL CONTACT TERMINAL: COPPER ALLOY,
 30u" Min. NICKEL PLATED OVERALL;
 SOLDER TERMINAL(2nd LAYER): SPCC,
 80u" Min. TIN PLATED OVER 30u" Min. NICKEL
 UNDERPLATED OVERALL.
 GROUND PIN: SPCC, 80u" Min.
 TIN PLATED OVER 30u" Min. NICKEL
 UNDERPLATED OVERALL.
2. SPECIFICATION:
 2.1 CURRENT RATING: 1.0 AMP. MAX.
 2.2 DIELECTRIC WITHSTANDING: AC 500V/min R.M.S.
 2.3 INSULATION RESISTANCE: 1000MΩ min. AT 500V DC.
 2.4 CONTACT RESISTANCE: 50mΩ MAX.
 2.5 OPERATING TEMPERATURE: -25°C TO +85°C.
 2.6 DURABILITY: 1500 CYCLES.
 2.7 MATING FORCE: 5kgf MAX.
 2.8 UNMATING FORCE: 0.4~3.0kgf.
3. NOTES:
 3.1 ALL COMPONENTS ARE RoHS COMPLIANT.
 3.2 RESISTANCE TO SOLDERING HEAT: 265°C FOR 5 SECONDS,
 AND ONLY FOR WAVE SOLDERING PROCESS.
 (THE POST WILL BE MELT)

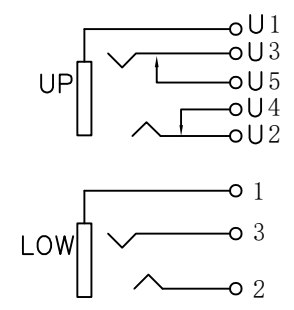


A向视图



基座颜色排列图

电路原理图
Circuit Diagram



ORDER INFORMATION:

MARK 选项	PRODUCT P/N	A PORT	B PORT
无MARK	EAST-126S-10-S	GREEN	RED
无MARK	EAST-126S-11-S	RED	GREEN
无MARK	EAST-126S-12-S	BLACK	BLACK
无MARK	EAST-126S-13-S	RED	RED
无MARK	EAST-126S-14-S	GREEN	GREEN

TOLERANCES UNLESS OTHERWISE SPECIFIED:
 X. ---
 X.X ± 0.38
 X.XX ± 0.25
 X.XXX ± 0.20
 Angle ± 3°

THESE DRAWING AND SPECIFICATION ARE THE PROPERTY OF Shenzhen Dongfangyuye ELECTRONIC CO., LTD.. SHALL NOT BE REPRODUCED.

COSTOMER COPY

DRAWN: Qinkx

CHECKED: Chenl

APPROVED: Chenl

深圳市东方御业科技有限公司
 WWW.DFYCONN.COM TEL:0755-27155560

TITIAL: 2017/09/10

双层 AUDIO JACK R/A DIP TYPE (RoHS)

PART NO: EAST-126S-10-S

DRAWING NO:

UNIT: mm

SCALE: N/A

SHEET: 1

REV:

DO NOT SCALE PRINT