

REV.	ECN NO.	MODIFY MATTER	DATE	APPROVED
A		RELEASE TO PRODUCTION		

SPECIFICATION

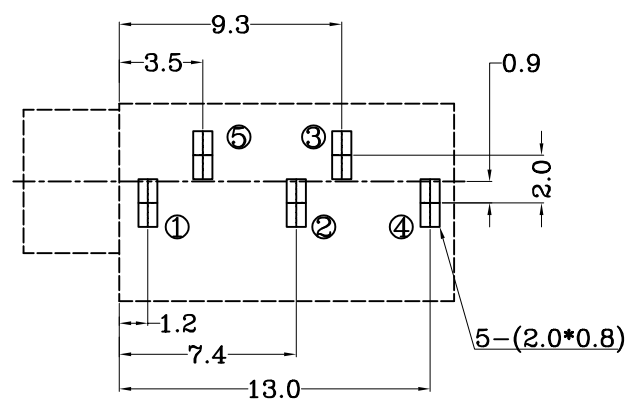
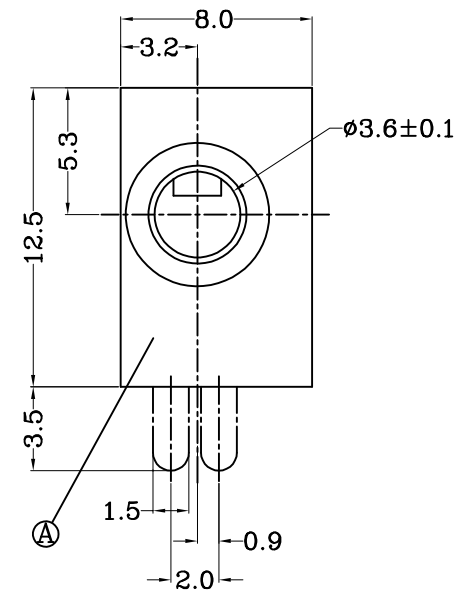
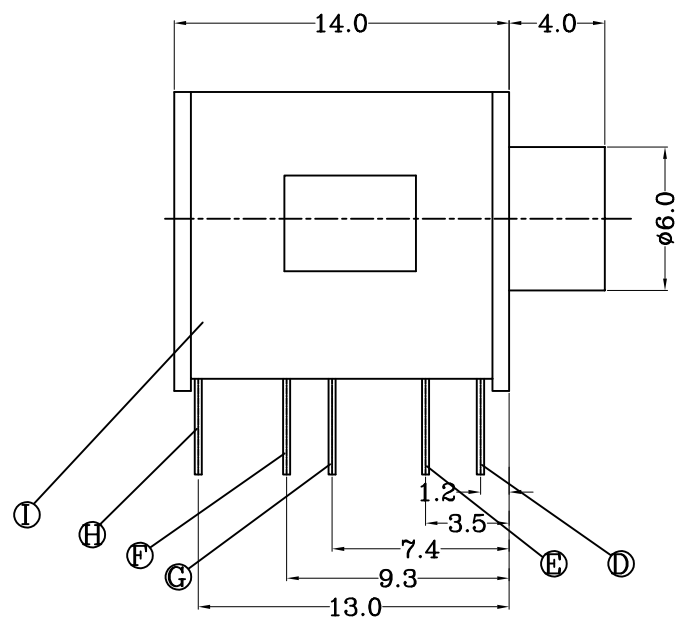
1. Rating : DC 30V 0.5A;
2. Contact resistance: $\leq 30m\Omega$;
3. Insulation resistance: $\geq 100M\Omega$ (DC250V)
4. Withstand voltage: AC 500V(50Hz)/min ;
5. Insertion and extraction force: 3-30N;
6. life test: 5,000 cycles;

EAST-3.5-25C5P-0X0

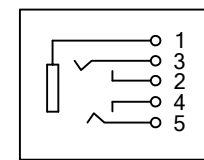
COLOR TYPE

COLOR TYPE	
红R: RED	白W: WHITE
蓝BL: BLUE	绿GR: GREEN
粉P: PINK	橙O: ORANGE
黄Y: YELLOW	黑B: BLACK

P/N	
010	R
020	W
030	BL
040	GR
050	P
060	O
070	Y
080	B



P.C.B LAYOUT TOP VIEW
TOLERANCE $\pm 0.3mm$



SCHEMATIC

No.	NAME	QTY.	MATERIAL	FINISH/COLOR
I	COVER	1	PBT	
H	TERMINAL	1	brass	CuSn-PLATED
G	TERMINAL	1	brass	CuSn-PLATED
F	SPRING	1	brass	CuSn-PLATED
E	SPRING	1	brass	CuSn-PLATED
D	TERMINAL	1	brass	CuSn-PLATED
A	HOUSING	1	PBT	

TOLERANCES UNLESS OTHERWISE SPECIFIED: X. --- X. X ± 0.38 X. XX ± 0.25 X. XXX ± 0.10 Angle $\pm 1^\circ$		COSTOMER COPY	深圳市东方御业科技有限公司 WWW.DFYECNN.COM TEL:0755-27155560	
DRAWN: CHENLEI	2017/09/10	TITIAL: 3.5 Audio Jack	PART NO: EAST-3.5-25C5P-0X0 DRAWING NO: (RoHS)	
CHECKED: CHENLEI	2017/09/10	SCALE: N/A		
APPROVED: QINKAIXING	2017/09/10	UNIT: mm	SHEEL: 1:1	REV.

THESE DRAWING AND SPECIFICATION ARE THE PROPERTY OF Shenzhen Dongfangyue ELECTRONIC CO., LTD.. SHALL NOT BE REPRODUCED.