

REV.	ECN NO.	MODIFY MATTER	DATE	APPROVED
A		RELEASE TO PRODUCTION	2013/02/05	Mike

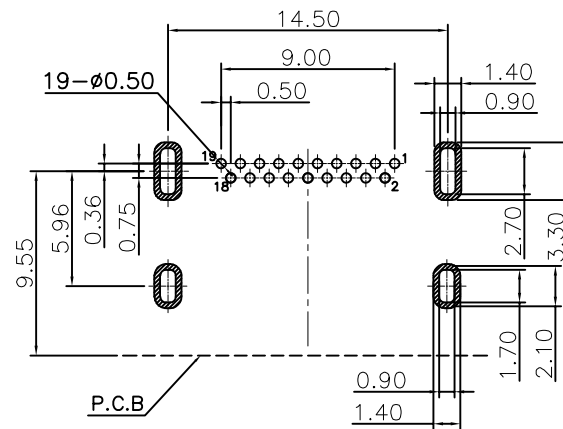
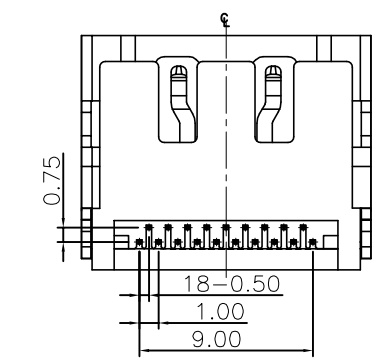
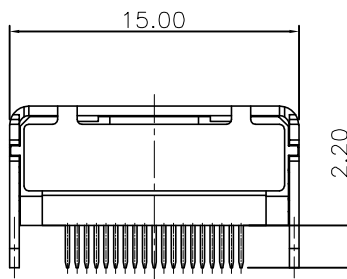
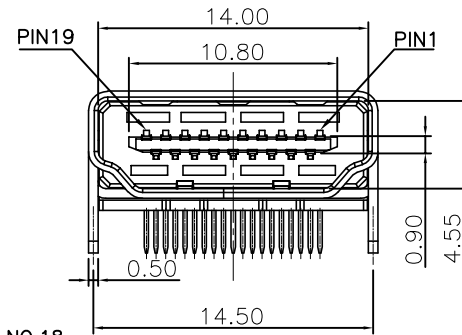
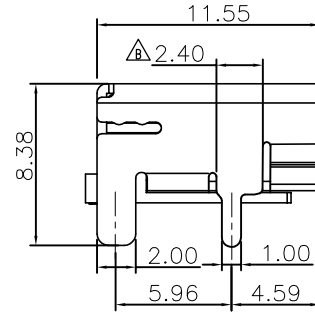
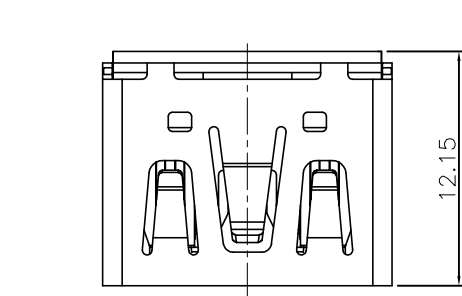
NOTES:

- 1.MATERIAL:
 - 1.1 Housing:thermoplastic plastics
 - 1.2 terminals:Copper Alloy
Gold plated in contact area:
Tin plated in termination
Nickel Plated overall
 - 1.3 Shell:Steel&Copper Alloy
Nickel/Au Plated overall
- 2.ELECTRICAL CHARACTERISTICS:
 - 2.1 Rating Current :0.5 Ampere
 - 2.2 Rating Voltage :40 V Max
 - 2.3 Contact Resistance:30 Milli ohms
 - 2.4 Insulation Resistance:100 Mega ohms Min.
- 3.MECHANICAL CHARACTERISTICS:
 - 3.1 Connector Mating force: 4.5kg MAX
 - 3.2 Connector Unmating force:1.0Kg min
 - 3.3 Durability:10000Cycles.
- 4.ENVIRONMENT CHARACTERISTICS:
 - 4.1 Operating temperature:-20°C to +85°C
 - 4.2 Storage temperature:-20°C to +65°C

EAST-HDMI19A10333-XXR

TERMINAL PLATING CODE: SHELL PLATING CODE:

1: CONTACT AREA: GOLD FLASH	1:铁 PLATING Au.
SOLDER AREA: GOLD FLASH	2:铁 PLATING Ni.
2: CONTACT AREA: 5u" GOLD	3:铜 PLATING Au.
SOLDER AREA: GOLD FLASH	4:铜 PLATING Ni.
3: CONTACT AREA: 15u" GOLD	5:不锈钢 PLATING Au.
SOLDER AREA: GOLD FLASH	6:不锈钢 PLATING Ni.



PIN	SIGNAL ASSIGNMENT	PIN	SIGNAL ASSIGNMENT
1	TMDS Data2+	11	TMDS Clock Shield
2	TMDS Data2 Shield	12	TMDS Clock-
3	TMDS Data2-	13	CEC
4	TMDS Data+	14	Reserved (I.C. on device)
5	TMDS Data1 Shield	15	SCL
6	TMDS Data1-	16	SDA
7	TMDS Data0+	17	DDC/CEC Ground
8	TMDS Data0 Shield	18	+5V Power
9	TMDS Data0-	19	Hot Plug Detect
10	TMDS Clock+		

TOLERANCES UNLESS OTHERWISE SPECIFIED: X. — X.X ± 0.38 X.XX ± 0.25 X.XXX ± 0.20 Angle ± 3°	INSPECTION COPY	深圳市东方御业科技有限公司 TEL:0755-27155560 WWW.DFYCONN.COM			
	DRAWN: Qinx	2013/02/05	TITL: HDMI 19P/F 两排90度鱼叉脚(无耳)		
	CHECKED: Chenlei	2013/02/05	PART NO: EAST-HDMI19A10333-XXR		
	APPROVED: Chenlei	2013/02/05	DRAWING NO: (RoHS)		
THESE DRAWING AND SPECIFICATION ARE THE PROPERTY OF Shenzhen Dongfangyuye CO.,LTD. SHALL NOT BE REPRODUCED.	UNIT: mm	SCALE: N/A	SHEET: 1/1	REV: A	

DO NOT SCALE PRINT