

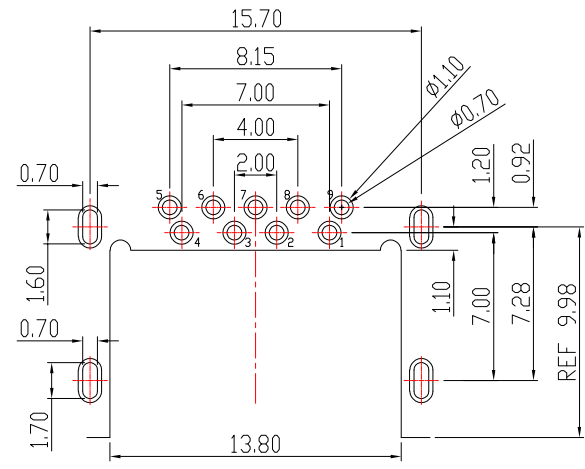
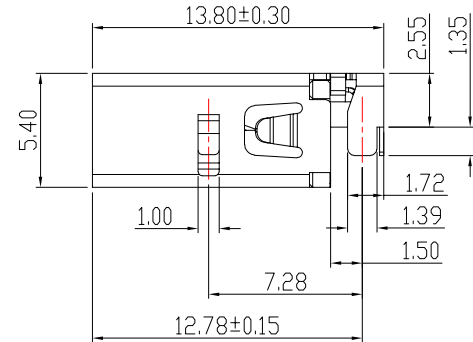
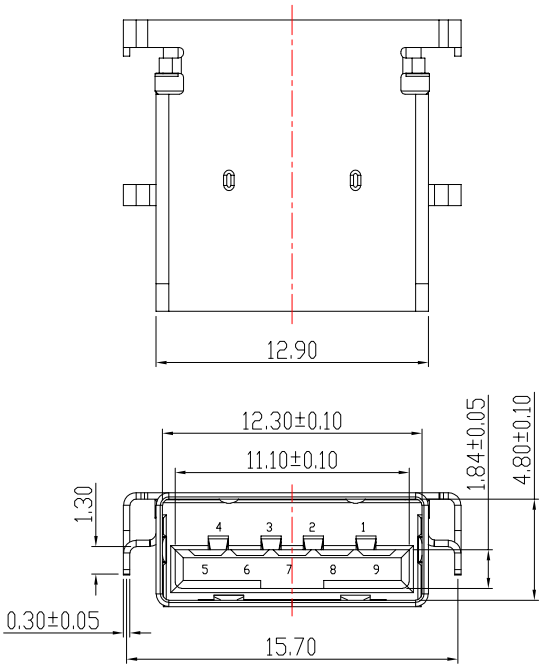
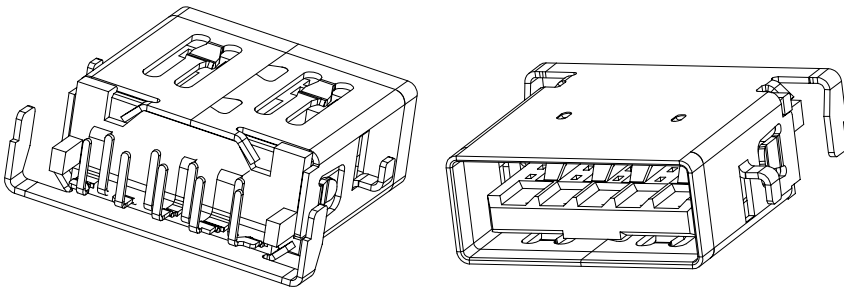
REV.	ECN NO.	MODIFY MATTER	DATE	APPROVED
A		RELEASE TO PRODUCTION		

1. Electrical Characteristics

- 1-1: Rate Voltage: 30V DC
- 1-2: Current Rating: 1.5A
- 1-3: Contact Resistance: 30mΩ MAX.
- 1-4: Insulation Resistance: 100MΩ MIN.
- 1-5: Dielectric Withstang Voltage :500V R.M.S
- 1-6: Operature Temperature: -40°C~85°C

2.MECHANICAL CHARACTERISTICS

- 2-1: MATING FORCE:10N MIN INITIAL;
8N MIN AFTER TEST.
- 2-2: UNMATED FORCE:35N MAX;
- 2-3: DURABILITY:1500 CYCLES;



Tolerance: ±0.05 Thickness: 1.0~1.2mm
Recommend PCB Layout
(Top View)

EAST-USB309L3011255-BK

X	Terminal Plating
0	Au 1u" Plating
1	Au 3u" Plating
2	Au 6u" Plating
3	Au 15u" Plating

XX	Housing Color
BK	Black
BE	Blue

TOLERANCES UNLESS OTHERWISE SPECIFIED: X. — X.X ± 0.38 X.XX ± 0.25 X.XXX ± 0.10 Angle ±1°	COSTOMER COPY	深圳市东方御业科技有限公司 WWW.DFYCONN.COM TEL:0755-27155560	
	DRAWN: CHENLEI	2017/09/10	TITIAL: USB 3.0 AF H2.55 (RoHS)
THESE DRAWING AND SPECIFICATION ARE THE PROPERTY OF Shenzhen Dongfangyue ELECTRONIC CO., LTD.. SHALL NOT BE REPRODUCED.	CHECKED: CHENLEI	2017/09/10	PART NO: EAST-USB309L3011255-BK
	APPROVED: QINKAIXING	2017/09/10	UNIT: mm SCALE: N/A SHEEL: 1:1 REV.