

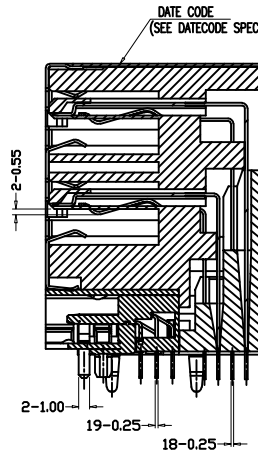
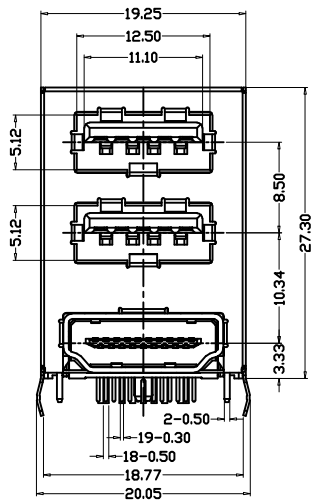
REV.	ECN NO.	MODIFY MATTER	DATE	APPROVED
A		RELEASE TO PRODUCTION	2016/12/10	Mike

NOTES

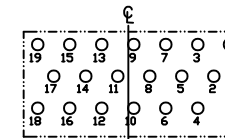
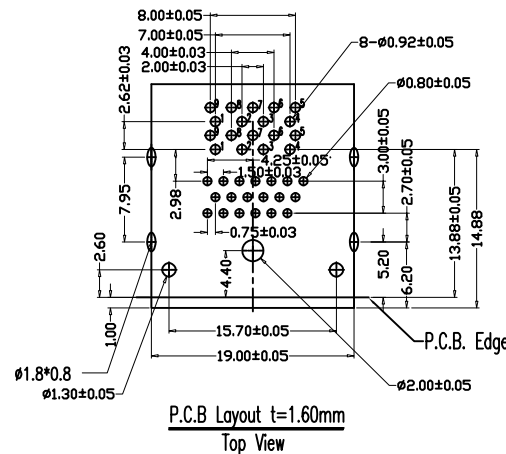
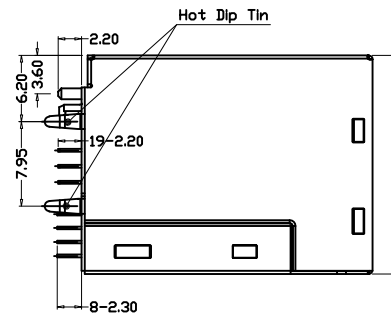
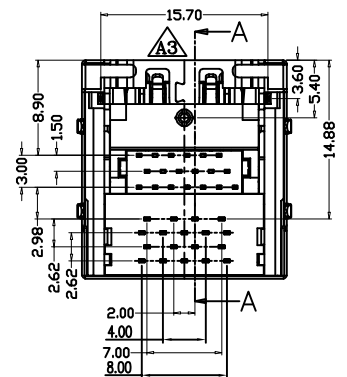
- MATERIAL:**
 Housing(USB):PBT, UL 94V-0, Color:Blue.
 Housing(HDMI):LCP, UL 94V-0, Color:Black.
 Terminal:Copper Alloy.
 Shell(USB):Stainless Steel.
 Shell(HDMI):Steel.
- FINISH:**
 Terminal:Gold Plated over Nickel at Contact Area.
 Matte Tin Plated over Nickel at Solder Area.
 Shell(HDMI):Nickel Plated.
- This Product is LEAD-FREE & RoHS Compliance Product.

SPECIFICATIONS

- USB**
 - Voltage: 250 VAC(RMS) Max.
 - Current Rating: 1.5 Ampere per Pontact
 - Contact Resistance: 30 Milliohms Max.
 - Insulation Resistance: 1000 Megohms Min.
 - Dielectric Withstanding Voltage: 750 VAC(RMS)
 - Total Mating Force: 3.57 Kgf Max.
 - Total Unmating Force: 1.02 Kgf Min.
 - Operating Temperature: -55°C to +85°C
- HDMI**
 - Voltage: 40 VAC(RMS) Max.
 - Current Rating: 0.5 Ampere per Contact
 - Contact Resistance: 30 Milliohms Max.
 - Insulation Resistance: 100 Megohms Min.
 - Dielectric Withstanding Voltage: 500V DC(RMS)
 - Total Mating Force: 4.5 Kgf Max.
 - Total Unmating Force: 1.0 Kgf Min.
 - Operating Temperature: -55°C to +85°C



SECTION A-A

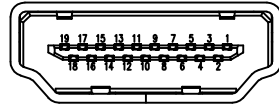


HDMI Pin Position

TOLERANCES UNLESS OTHERWISE SPECIFIED: X. --- X.X ± 0.38 X.XX ± 0.25 X.XXX ± 0.15 Angle ± 3'		CUSTOMER COPY		深圳市东方御业科技有限公司 WWW.DFYCONN.COM Tel:0755-27155560	
DRAWN: Chenlei	2016/12/10	TITL: 2-PORT USB 3.0 4-POS. FEMALE / HDMI 19-POS. FEMALE DIP TYPE (RoHS)		PART NO: EAST-DHDUSB30LB1	
CHECKED: Chenlei	2016/12/10	DRAWING NO:		UNIT: mm	
APPROVED: Qinkaixing	2016/12/10	SCALE: N/A	SHEET: 1/1	REV. A	

DO NOT SCALE PRINT

REV.	ECN NO.	MODIFY MATTER	DATE	APPROVED
A		RELEASE TO PRODUCTION	2016/12/10	Mike



HDMI 腳位配置

Pin define

1	TMDS Data2+
2	TMDS Data2 Shield
3	TMDS Data2-
4	TMDS Data1+
5	TMDS Data1 Shied
6	TMDS Data1-
7	TMDS Data0+
8	TMDS Data0 Shield
9	TMDS Data0-
10	TMDS Clock+
11	TMDS Clock Shield
12	TMDS Clock-
13	CEC
14	Reserved (N.C. on device)
15	SCL
16	SDA
17	DDC/CEC Ground
18	+5V Power
19	Hot Plug Detect

USB 3.0 PIN ASSIGNMENTS

Pin #	SIGNAL NAME	DESCRIPTION	MATING SEQUENCE
1	VBUS	POWER	SECOND
2	D-	USB 2.0 DIFFERENTIAL PAIR	THIRD
3	D+		
4	GND	GROUND FOR POWER RETURN	SECOND
5	StdA_SSRX-	SUPERSPEED RECEIVER DIFFERENTIAL PAIR	LAST
6	StdA_SSRX+		
7	GND_DRAIN	GROUND FOR SIGNAL RETURN	
8	StdA_SSTX-	SUPERSPEED TRANSMITTER DIFFERENTIAL PAIR	
9	StdA_SSTX+		
Shell	Shield	CONNECTOR METAL SHELL	FRIST

TOLERANCES UNLESS OTHERWISE SPECIFIED: X. --- X.X ± 0.38 X.XX ± 0.25 X.XXX ± 0.15 Angle ± 3°	CUSTOMER COPY	深圳市东方御业科技有限公司 WWW.DFYCONN.COM Tel:0755-27155560		
	DRAWN: Chenlei CHECKED: Chenlei APPROVED: Qinkaixing	2016/12/10 2016/12/10 2016/12/10	TITIAL: 2-PORT USB 3.0 4-POS. FEMALE / HDMI 19-POS. FEMALE DIP TYPE (RoHS)	
	THESE DRAWING AND SPECIFICATION ARE THE PROPERTY OF Shenzhen Dongfangyuye CO.,LTD. SHALL NOT BE REPRODUCED.	PART NO: EAST-DHUSB30LB1 DRAWING NO:	UNIT: mm SCALE: N/A SHEET: 1/1 REV. A	

DO NOT SCALE PRINT