

REV.	ECN NO.	MODIFY MATTER	DATE	APPROVED
A		RELEASE TO PRODUCTION		

NOTES:

1.ELECTRONIC:

CONTACT RESISTANCE: 30mohm MAX
 INSULATION RESISTANCE: 1000 Mohm MIN
 WITHSTAND VOLTAGE:AC 500V,1min.

2.MECHANICAL:

DURABILITY: 5000 CYCLE.

3.ENVIRONMENT CHARACTERISTICS:

OPERTING TEMPERATURE:-55°C TO +105°C

4.RECOMMANDER PCB THICKNESS 1.2 TO 1.60MM

5. 标标"▲"符的的尺寸为重点检验尺寸;

6.MATERIAL LIST:

3	SHELL	1	STAINLESS SUS201	NI PLATED
2	CONTACT	9	COPPER ALLOY	AU/TIN PLATED
1	HOUSING	1	PA9T BLUE	(UL 94V-0)
No.	PART NAME	QTY	MATERIAL	REMARK

EAST-USB309L3N12257-BE

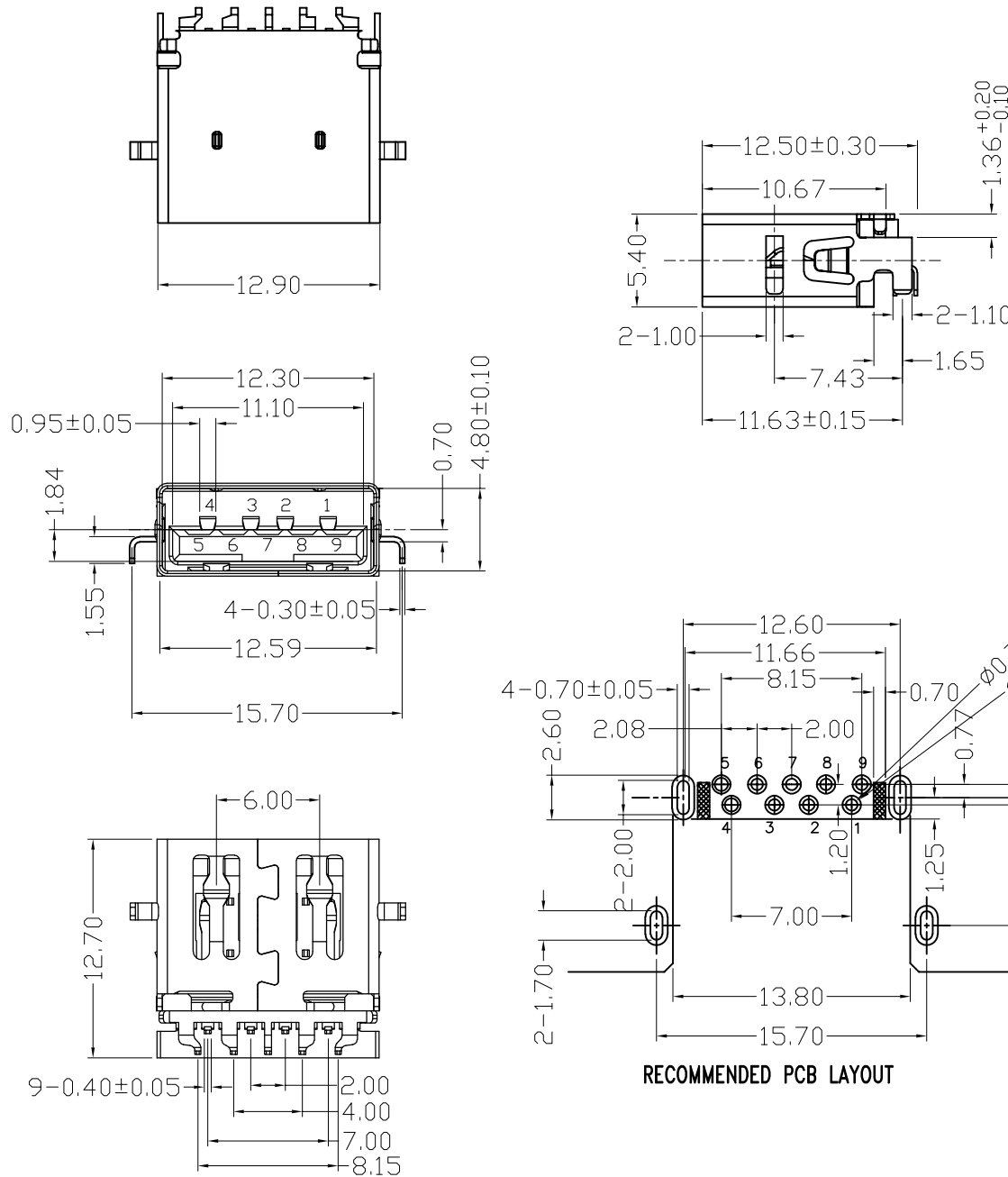
X	Terminal Plating
0	Au 1u" Plating
1	Au 3u" Plating
2	Au 6u" Plating
3	Au 15u" Plating

XX	Housing Color
BK	Black
BE	Blue

USB 3.0 PIN ASSIGNMENTS

Pin #	SIGNAL NAME	DESCRIPTION	MATING SEQUENCE
1	VBUS	POWER	SECOND
2	D-	USB 2.0 DIFFERENTIAL PAIR	THIRD
3	D+		
4	GND	GROUND FOR POWER RETURN	SECOND
5	StdA_SSRX-	SUPERSPEED RECEIVER DIFFERENTIAL PAIR	LAST
6	StdA_SSRX+		
7	GND_DRAIN	GROUND FOR SIGNAL RETURN	
8	StdA_SSTX-	SUPERSPEED TRANSMITTER DIFFERENTIAL PAIR	
9	StdA_SSTX+		
Shell	Shield	CONNECTOR METAL SHELL	FRIST

TOLERANCES UNLESS OTHERWISE SPECIFIED: X. --- X.X ± 0.38 X.XX ± 0.25 3X.XXX ± 0.10 Angle ±1°		CUSTOMER COPY 深圳市东方御业科技有限公司 WWW.DFYCONN.COM TEL:0755-27155560
DRAWN: CHENLEI	2017/09/10	TITAL: USB3.0 AF 反向 90度 沉板CH0.70 DIP(平口) (RoHS)
CHECKED: CHENLEI	2017/09/10	PART NO: EAST-USB309L3N12257-BE
APPROVED: QINKAIXING	2017/09/10	UNIT: mm
THESE DRAWING AND SPECIFICATION ARE THE PROPERTY OF Shenzhen Dongfangyue ELECTRONIC CO., LTD.. SHALL NOT BE REPRODUCED.		SCALE: N/A
		SHEEL: 1:1
		REV.



RECOMMENDED PCB LAYOUT