

REV.	ECN NO.	MODIFY MATTER	DATE	APPROVED
A		RELEASE TO PRODUCTION		

**NOTES:**

- ELECTRONIC:**  
CONTACT RESISTANCE: 30mohm MAX  
INSULATION RESISTANCE: 1000 Mohm MIN  
WITHSTAND VOLTAGE: AC 500V, 1min.
- MECHANICAL:**  
DURABILITY: 5000 CYCLE.
- ENVIRONMENT CHARACTERISTICS:**  
OPERATING TEMPERATURE: -55°C TO +105°C
- RECOMMENDED PCB THICKNESS 1.2 TO 1.60MM**
- 标称“ ”符的尺寸为重点检验尺寸;
- MATERIAL LIST:**

3	SHELL	1	STAINLESS	NI PLATED
2	CONTACT	9	COPPER ALLOY	AU/TIN PLATED
1	HOUSING	1	PA9T BLUE	(UL 94V-0)
No.	PART NAME	QTY	MATERIAL	REMARK

**EAST-USB309L3X12247-BK**

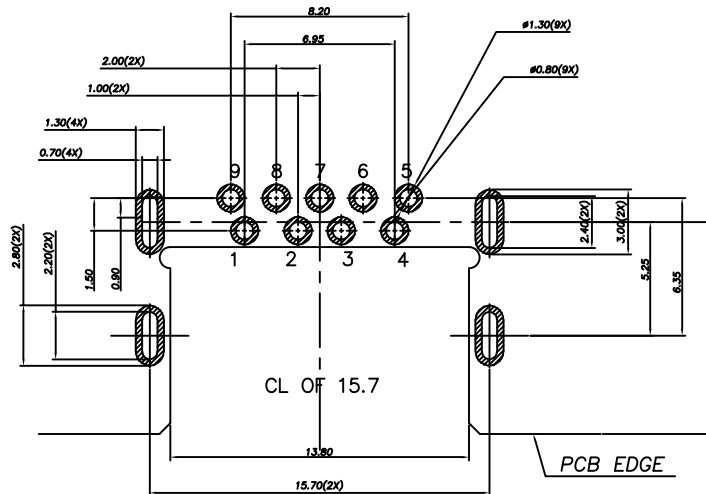
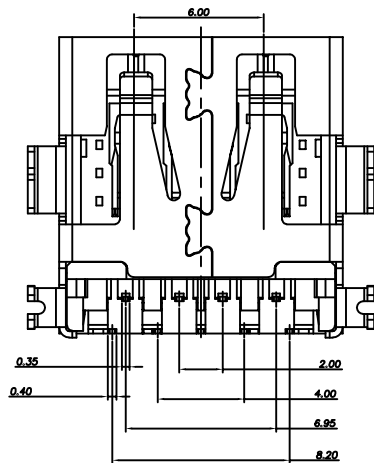
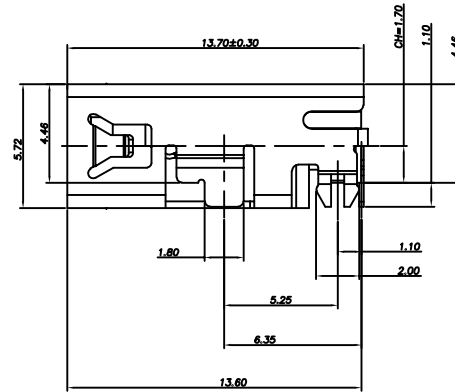
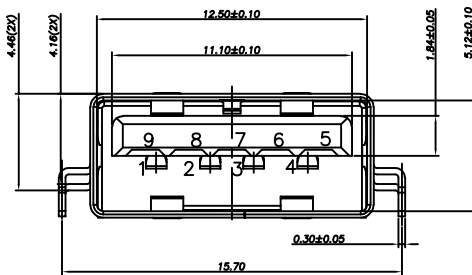
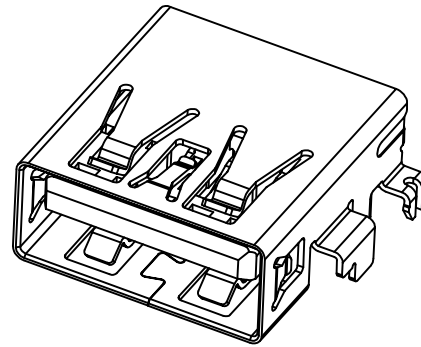
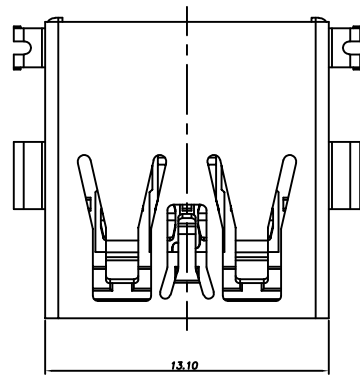
X	Terminal Plating
0	Au 1u" Plating
1	Au 3u" Plating
2	Au 6u" Plating
3	Au 15u" Plating

XX	Housing Color
BK	Black
BE	Blue

**USB 3.0 PIN ASSIGNMENTS**

Pin #	SIGNAL NAME	DESCRIPTION	MATING SEQUENCE
1	VBUS	POWER	SECOND
2	D-	USB 2.0 DIFFERENTIAL PAIR	THIRD
3	D+		
4	GND	GROUND FOR POWER RETURN	SECOND
5	StdA_SSRX-	SUPERSPEED RECEIVER DIFFERENTIAL PAIR	LAST
6	StdA_SSRX+		
7	GND_DRAIN	GROUND FOR SIGNAL RETURN	
8	StdA_SSTX-	SUPERSPEED TRANSMITTER DIFFERENTIAL PAIR	
9	StdA_SSTX+		
Shell	Shield	CONNECTOR METAL SHELL	FRIST

TOLERANCES UNLESS OTHERWISE SPECIFIED: X. --- X.X ± 0.38 X.XX ± 0.25 X.XXX ± 0.10 Angle ± 1°		CUSTOMER COPY DRAWN: CHENLEI CHECKED: CHENLEI APPROVED: QINKAIXING		<b>深圳市东方御业科技有限公司</b> WWW.DFYCONN.COM TEL: 0755-27155560 TITL: <b>USB 3.0 AF R&amp;A DIP L13.70 H4.46 CH=1.70</b> PART NO: <b>EAST-USB309L3X12247-BK</b> UNIT: mm  SCALE: N/A SHEEL: 1:1 REV.	
THESE DRAWING AND SPECIFICATION ARE THE PROPERTY OF Shenzhen Dongfangyue ELECTRONIC CO., LTD. SHALL NOT BE REPRODUCED.					



**RECOMMENDED PCB LAYOUT**