

REV.	ECN NO.	MODIFY MATTER	DATE	APPROVED
A		RELEASE TO PRODUCTION		

NOTES:

1.ELECTRONIC:

CONTACT RESISTANCE: 20mohm MAX
 INSULATION RESISTANCE: 1000 Mohm MIN
 WITHSTAND VOLTAGE:AC 500V,1min.

2.MECHANICAL:

DURABILITY: 10000 CYCLE.

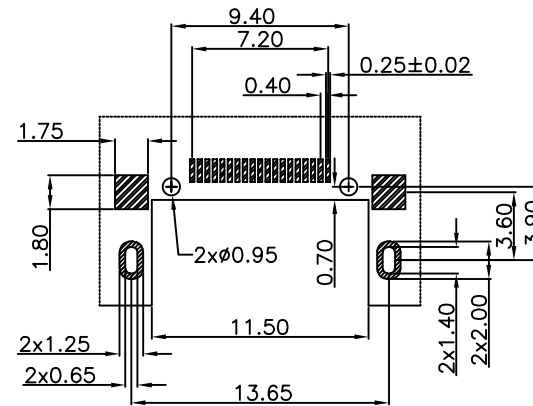
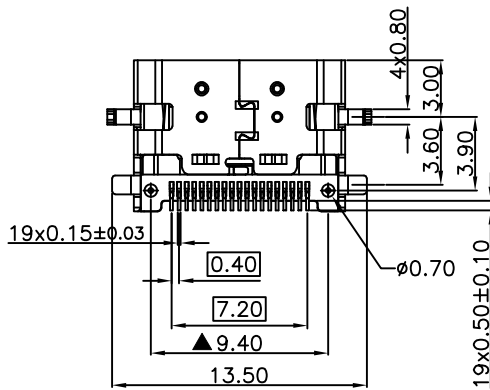
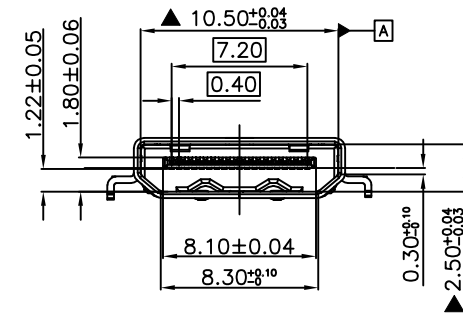
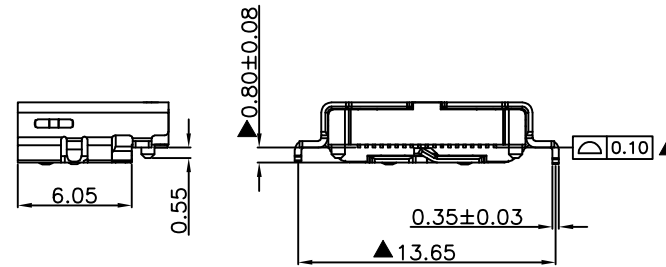
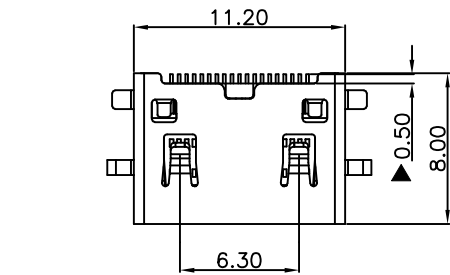
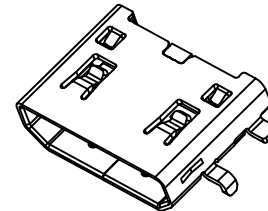
3.ENVIRONMENT CHARACTERISTICS:

OPERTING TEMPERATURE:-55°C TO +105°C

4.标标”▲”符的的尺寸为重点检验尺寸;

5.MATERIAL LIST:

No.	PART NAME	QTY	MATERIAL	REMARK
3	SHELL	1	C2680	AU PLATED
2	CONTACT	19	COPPER ALLOY	AU/TIN PLATED
1	HOUSING	1	THERMOPLASTIC(LCP)	(UL 94V-0) BLACK



PIN	SIGNAL ASSIGNMENT	PIN	SIGNAL ASSIGNMENT
1	TMDS Data2+	11	TMDS Clock Shield
2	TMDS Data2 Shield	12	TMDS Clock-
3	TMDS Data2-	13	CEC
4	TMDS Data+	14	Reserved (N.C. on device)
5	TMDS Data1 Shield	15	SCL
6	TMDS Data1-	16	SDA
7	TMDS Data0+	17	DDC/CEC Ground
8	TMDS Data0 Shield	18	+5V Power
9	TMDS Data0-	19	Hot Plug Detect
10	TMDS Clock+		

TOLERANCES UNLESS OTHERWISE SPECIFIED: X. --- X.X ± 0.38 X.XX ± 0.25 X.XXX ± 0.10 Angle ±1°	CUSTOMER COPY 深圳市东方御业科技有限公司 WWW.DFYCONN.COM TEL:0755-27155560		
	DRAWN: CHENLEI	2017/09/10	TITL: HDMI C FEMALE SMT 沉板 H0.80 带 无LOGO (RoHS)
	CHECKED: CHENLEI	2017/09/10	PART NO: EAST-HDC19B1A1197
	APPROVED: QINKAIXING	2017/09/10	UNIT: mm SCALE: N/A SHEEL: 1:1 REV.