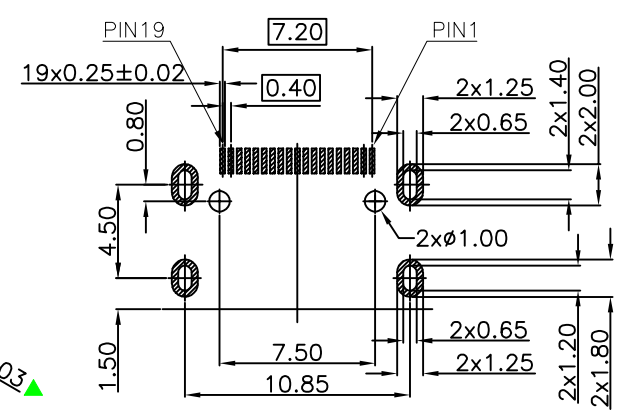
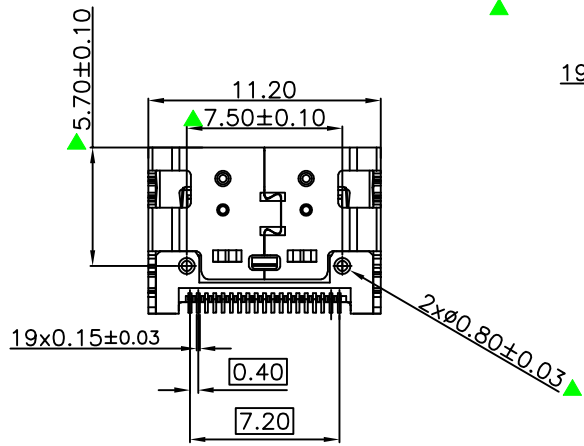
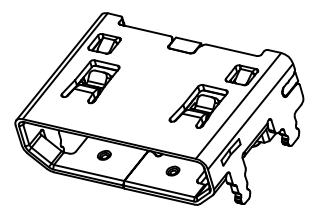
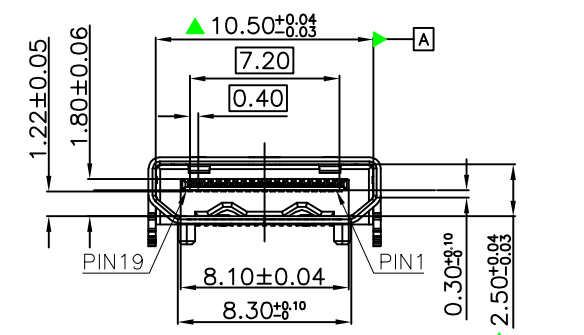
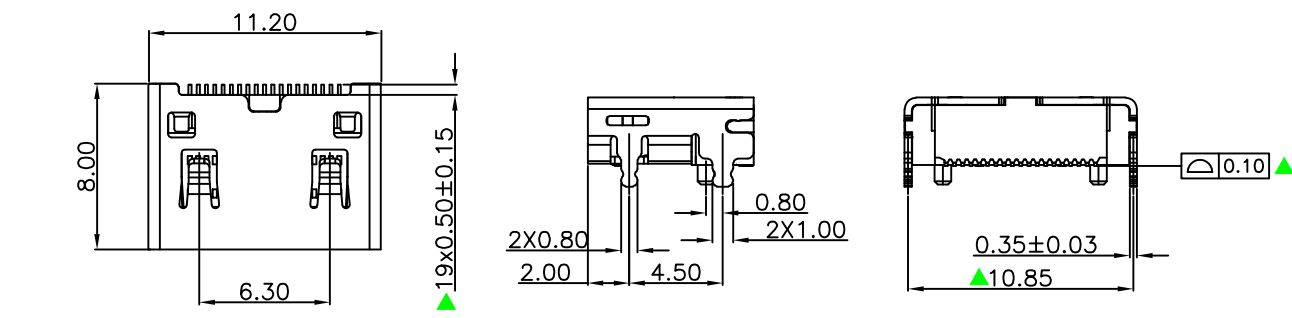


REV.	ECN NO.	MODIFY MATTER	DATE	APPROVED
A		RELEASE TO PRODUCTION		

**NOTES:**

- 1.ELECTRONIC:**  
 CONTACT RESISTANCE: 20mohm MAX  
 INSULATION RESISTANCE: 1000 Mohm MIN  
 WITHSTAND VOLTAGE:AC 500V,1min.
- 2.MECHANICAL:**  
 DURABILITY: 10000 CYCLE.
- 3.ENVIRONMENT CHARACTERISTICS:**  
 OPERTING TEMPERATURE:-55°C TO +105°C
- 4.标称"▲"符号的尺寸为重点检验尺寸;**
- 5.MATERIAL LIST:**

No.	PART NAME	QTY	MATERIAL	REMARK
3	SHELL	1	C2680	AU PLATED
2	CONTACT	19	COPPER ALLOY	AU/TIN PLATED
1	HOUSING	1	THERMOPLASTIC(LCP)	(UL 94V-0) BLACK



RECOMMENDED PCB LAYOUT  
 GENERAL TOLERANCES:±0.05

PIN	SIGNAL ASSIGNMENT	PIN	SIGNAL ASSIGNMENT
1	TMDS Data2+	11	TMDS Clock Shield
2	TMDS Data2 Shield	12	TMDS Clock-
3	TMDS Data2-	13	CEC
4	TMDS Data+	14	Reserved (N.C. on device)
5	TMDS Data1 Shield	15	SCL
6	TMDS Data1-	16	SDA
7	TMDS Data0+	17	DDC/CEC Ground
8	TMDS Data0 Shield	18	+5V Power
9	TMDS Data0-	19	Hot Plug Detect
10	TMDS Clock+		

TOLERANCES UNLESS OTHERWISE SPECIFIED:  
 X. ---  
 X.X ± 0.38  
 X.XX ± 0.25  
 X.XXX ± 0.10  
 Angle ±1°

CUSTOMER COPY  
 深圳市东方御业科技有限公司  
 WWW.DFYCONN.COM TEL:0755-27155560

DRAWN: CHENLEI 2017/09/10  
 CHECKED: CHENLEI 2017/09/10  
 APPROVED: QINKAIXING 2017/09/10

TITL: HDMI C FEMALE SMT H3.25 无LOGO (RoHS)  
 PART NO: EAST-HDC19B1A1288  
 UNIT: mm SCALE: N/A SHEEL: 1:1 REV.