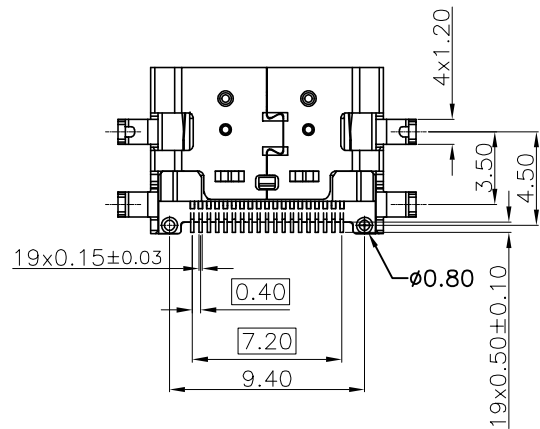
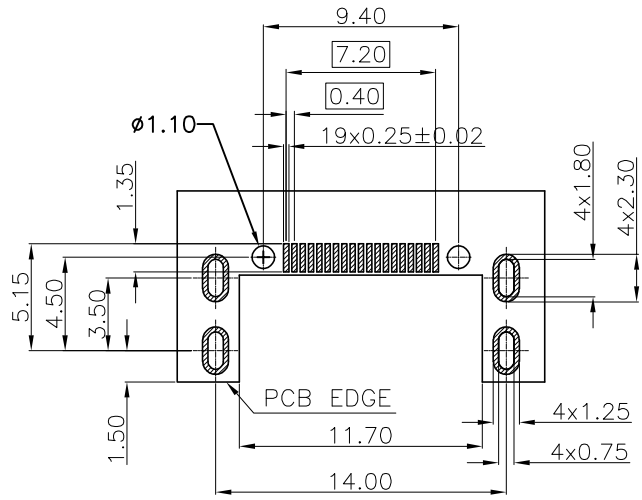
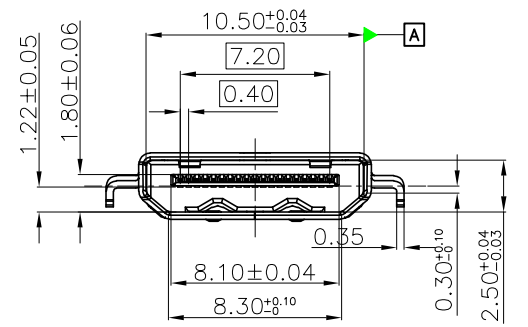
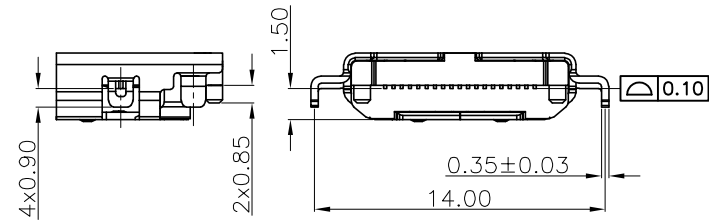
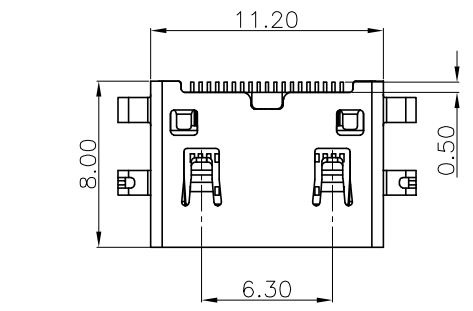


REV.	ECN NO.	MODIFY MATTER	DATE	APPROVED
A		RELEASE TO PRODUCTION		

NOTES:
 1.ELECTRONIC:
 CONTACT RESISTANCE: 30mohm MAX
 INSULATION RESISTANCE: 100 Mohm MIN
 WITHSTAND VOLTAGE:AC 500V,1min.
 2.MECHANICAL:
 DURABILITY: 10000 CYCLE.
 3.ENVIRONMENT CHARACTERISTICS:
 OPERTING TEMPERATURE:-55°C TO +105°C
 4.RECOMMANDER PCB THICKNESS 1.00MM
 5.PART NO:



RECOMMENDED PCB LAYOUT
 GENERAL TOLERANCES:±0.05

No.	PART NAME	QTY	MATERIAL	REMARK
3	SHELL	1	C2680 T=0.30	AU PLATED
2	CONTACT	19	COPPER ALLOY T=0.10	AU PLATED
1	HOUSING	1	THERMOPLASTIC(LCP)	(UL 94V-0) BLACK

PIN	SIGNAL ASSIGNMENT	PIN	SIGNAL ASSIGNMENT
1	TMDS Data2+	11	TMDS Clock Shield
2	TMDS Data2 Shield	12	TMDS Clock-
3	TMDS Data2-	13	CEC
4	TMDS Data+	14	Reserved (N.C. on device)
5	TMDS Data1 Shield	15	SCL
6	TMDS Data1-	16	SDA
7	TMDS Data0+	17	DDC/CEC Ground
8	TMDS Data0 Shield	18	+5V Power
9	TMDS Data0-	19	Hot Plug Detect
10	TMDS Clock+		

TOLERANCES UNLESS OTHERWISE SPECIFIED: X. --- X.X ± 0.38 X.XX ± 0.25 X.XXX ± 0.10 Angle ±1°		CUSTOMER COPY		深圳市东方御业科技有限公司 WWW.DFYCONN.COM TEL:0755-27155560	
DRAWN: CHENLEI		2017/09/10		TITIAL: HDMI C FEMALE SMT 平口 沉板 H1.50 无LOGO (RoHS)	
CHECKED: CHENLEI		2017/09/10		PART NO: EAST-HDC19B1A11201	
APPROVED: QINKAIXING		2017/09/10		UNIT: mm	SCALE: N/A
THESE DRAWING AND SPECIFICATION ARE THE PROPERTY OF Shenzhen Dongfangyue ELECTRONIC CO., LTD.. SHALL NOT BE REPRODUCED.				SHEEL: 1:1	REV.