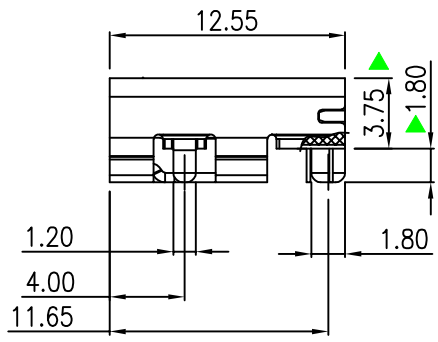
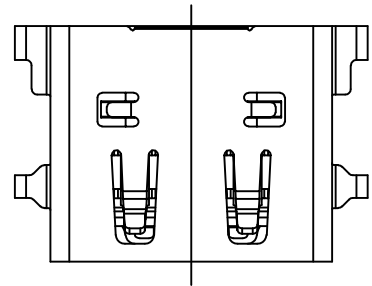
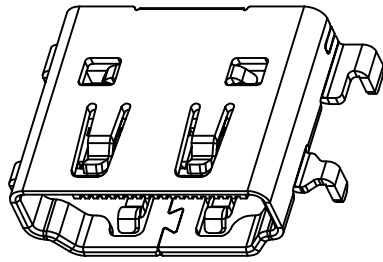
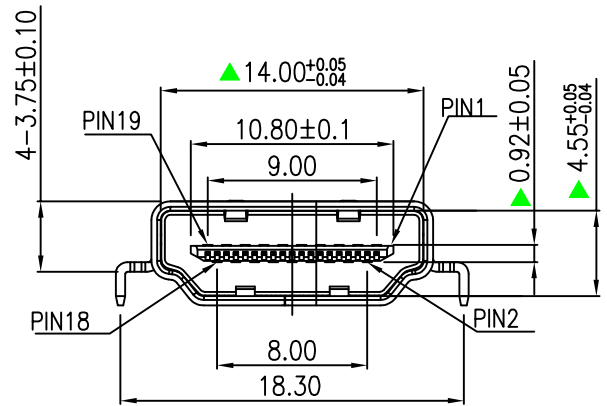


REV.	ECN NO.	MODIFY MATTER	DATE	APPROVED
A		RELEASE TO PRODUCTION		

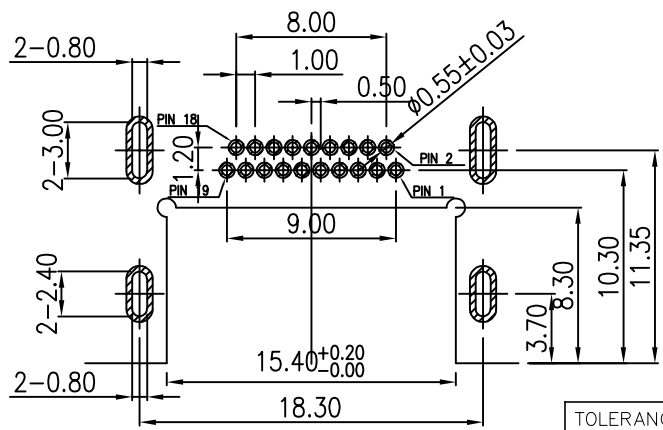
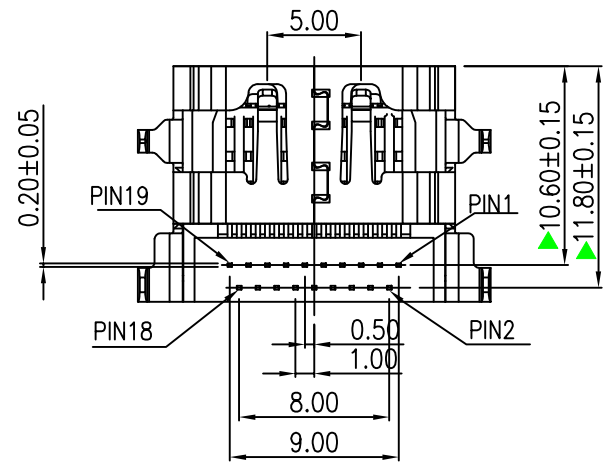


- NOTES:**
- ELECTRONIC:**  
CONTACT RESISTANCE: 20mohm MAX  
INSULATION RESISTANCE: 1000 Mohm MIN  
WITHSTAND VOLTAGE: AC 500V, 1min.
  - MECHANICAL:**  
DURABILITY: 10000 CYCLE.
  - ENVIRONMENT CHARACTERISTICS:**  
OPERATING TEMPERATURE: -55°C TO +105°C
  - RECOMMENDER PCB THICKNESS 1.2**
  - 标标 "▲" 符的尺寸为重点检验尺寸;



**6.MATERIAL LIST:**

3	SHELL	1	COPPER ALLOY T=0.50	NI PLATED
2	CONTACT	19	COPPER ALLOY T=0.20	AU/TIN PLATED
1	HOUSING	1	THERMOPLASTIC	(UL 94V-0) BLACK
No.	PART NAME	QTY	MATERIAL	REMARK



TOLERANCE: ±0.05  
RECOMMENDED PCB LAYOUT  
(TOP VIEW)

PIN	SIGNAL ASSIGNMENT	PIN	SIGNAL ASSIGNMENT
1	TMDS Data2+	11	TMDS Clock Shield
2	TMDS Data2 Shield	12	TMDS Clock-
3	TMDS Data2-	13	CEC
4	TMDS Data+	14	Reserved (N.C. on device)
5	TMDS Data1 Shield	15	SCL
6	TMDS Data1-	16	SDA
7	TMDS Data0+	17	DDC/CEC Ground
8	TMDS Data0 Shield	18	+5V Power
9	TMDS Data0-	19	Hot Plug Detect
10	TMDS Clock+		

TOLERANCES UNLESS OTHERWISE SPECIFIED: X. --- X.X ± 0.38 X.XX ± 0.25 X.XXX ± 0.10 Angle ±1°		COSTUMER COPY		深圳市东方御业科技有限公司 WWW.DFYCCONN.COM TEL:0755-27155560	
DRAWN: CHENLEI		2017/09/10		TITL: HDMI AF沉板 DIP H1.80	
CHECKED: CHENLEI		2017/09/10		PART NO: EAST-HD19B1N1231	
APPROVED: QINKAIXING		2017/09/10		UNIT: mm	
THESE DRAWING AND SPECIFICATION ARE THE PROPERTY OF Shenzhen Dongfangyue ELECTRONIC CO., LTD.. SHALL NOT BE REPRODUCED.		SCALE: N/A		SHEET: 1:1	