

REV.	ECN NO.	MODIFY MATTER	DATE	APPROVED
A		RELEASE TO PRODUCTION		

NOTES:

- MATERIAL SPECIFICATION
 - HOUSING: LCP+30% G.F UL94 V-0. COLOR: BLACK.
 - CONTACT: COPPER ALLOY C2680R-H T=0.20mm.
 - SHELL: C2680R-H T=0.50mm.
- PLATING SPECIFICATION
 - CONTACT: NI50μ" UNDER PLATED, GOLD FLASH PLATED ON THE FUNCTIONAL AREA OF CONTACT, GOLD PLATING OR TIN ON SOLDER AREA.
 - SHELL: NICKEL PLATED OR GOLD FLASH.
- MECHANICAL PERFORMANCE
 - INSERTION FORCE: 44.1N (4.5 KGF) MAX.
 - WITHDRAWAL FORCE: 4.9N~39.2N(0.5KGF~4.0KGF).
 - DURABILITY: 5000 CYCLES.
- ELECTRICAL PERFORMANCE
 - CURRENT RATING: 0.5A.
 - LLCR: CONTACT: 30mΩ MAX(INITIAL), SHELL: 50 mΩ MAX(INITIAL).
 - INSULATION RESISTANCE:
 - UNMATED: 100MΩ MIN. AT 500V DC.
 - MATED: 10MΩ MIN. AT 150V DC.
 - DIELECTRIC WITHSTAND VOLTAGE:
 - 300V AC/60S(MATED), 500V AC/60S(UNMATED).
- IR REFLOW:

THE PEAK TEMPERATURE ON BOARD SHALL BE MAINTAINED FOR 10 SECONDS AT 260±5°C.
- OPERATING TEMPERATURE RANGE: -35°C~105°C(WITHOUT LOSS FUNCTION).
- RoHS COMPLIANT OR HALOGEN FREE COMPLIANT.

PIN	SIGNAL ASSIGNMENT	PIN	SIGNAL ASSIGNMENT
1	TMDS Data2+	11	TMDS Clock Shield
2	TMDS Data2 Shield	12	TMDS Clock-
3	TMDS Data2-	13	CEC
4	TMDS Data+	14	Reserved (N.C. on device)
5	TMDS Data1 Shield	15	SCL
6	TMDS Data1-	16	SDA
7	TMDS Data0+	17	DDC/CEC Ground
8	TMDS Data0 Shield	18	+5V Power
9	TMDS Data0-	19	Hot Plug Detect
10	TMDS Clock+		

CUSTOMER COPY
 深圳市东方御业科技有限公司
 WWW.DFYCONN.COM TEL: 0755-27155560

TOLERANCES UNLESS OTHERWISE SPECIFIED:
 X. ---
 X.X ± 0.38
 X.XX ± 0.25
 X.XXX ± 0.10
 Angle ±1°

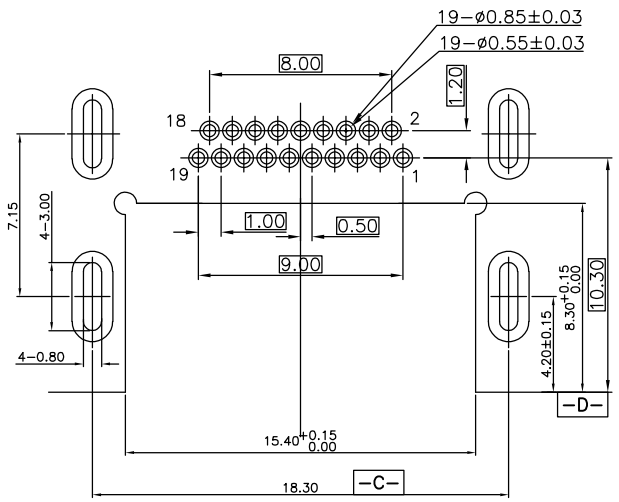
THESE DRAWING AND SPECIFICATION ARE THE PROPERTY OF Shenzhen Dongfangyue ELECTRONIC CO., LTD.. SHALL NOT BE REPRODUCED.

DRAWN: CHENLEI 2017/09/10
 CHECKED: CHENLEI 2017/09/10
 APPROVED: QINKAIXING 2017/09/10

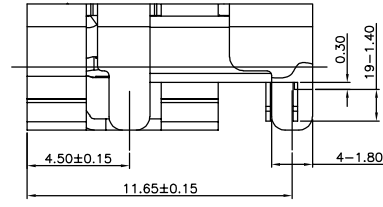
TITL: HDMI A Type 19pin REC.
 0.50 Pitch. Mid-Mount CH=0.97mm.
 Board-Height=3.75mm. DIP Type PACKING (RoHS)

PART NO: EAST-HD6310X0001

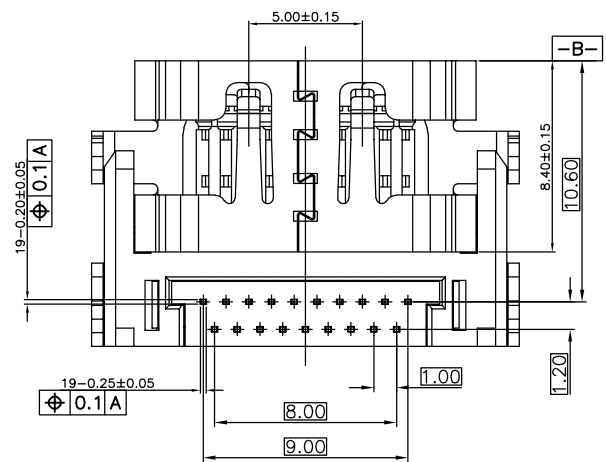
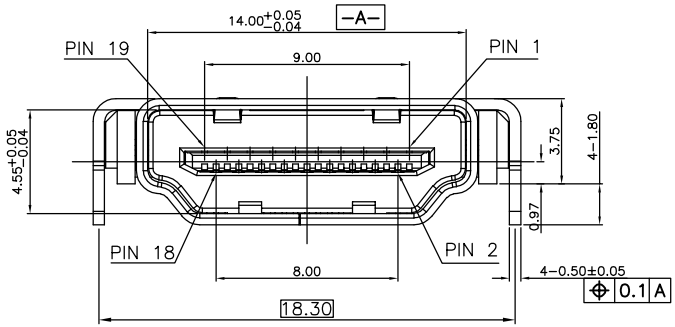
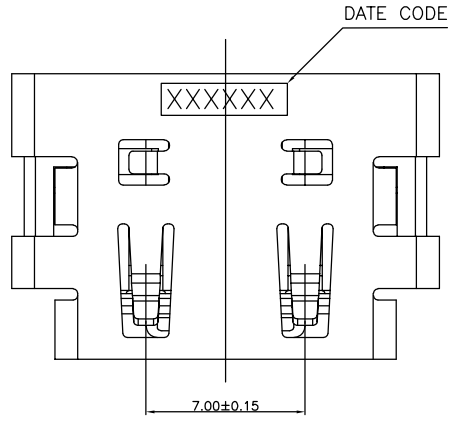
UNIT: mm SCALE: N/A SHEEL: 1:1 REV.



RECOMMENDED PCB LAYOUT(TOP VIEW)
 (THICKNESS=1.2±0.10mm)
 (TOLERANCE=±0.03mm)



3D VIEW



8 7 6 5 4 3 2 1

F

E

D

C

B

8 7 6 5 4 3 2 1

F

E

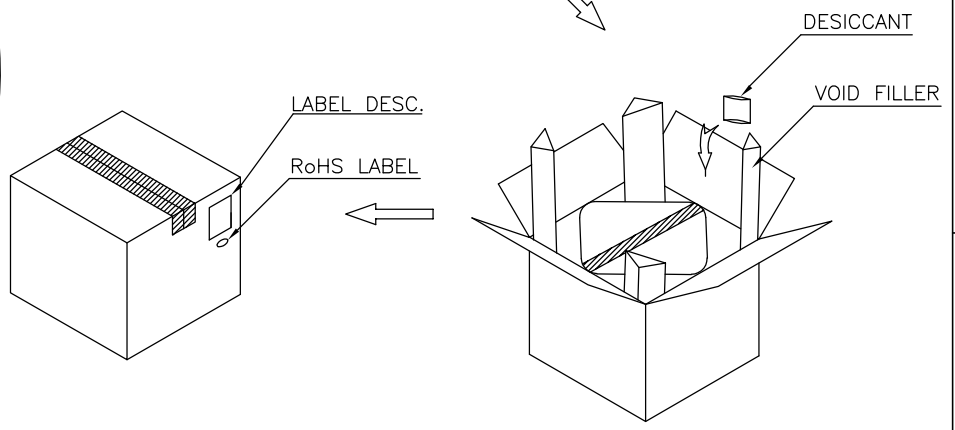
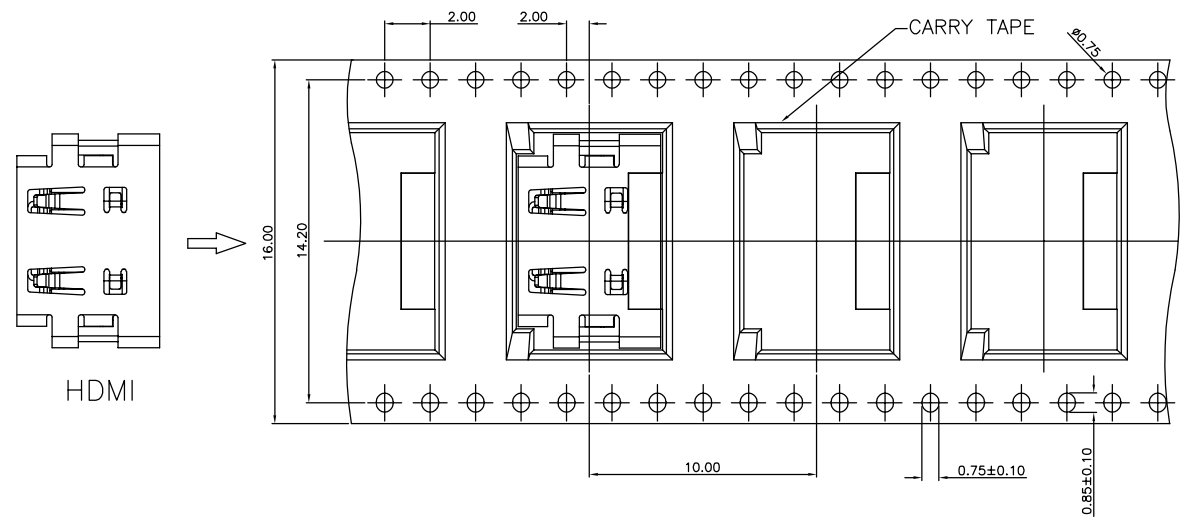
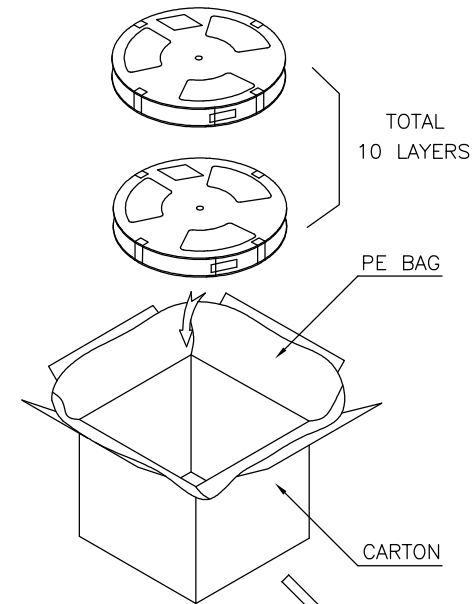
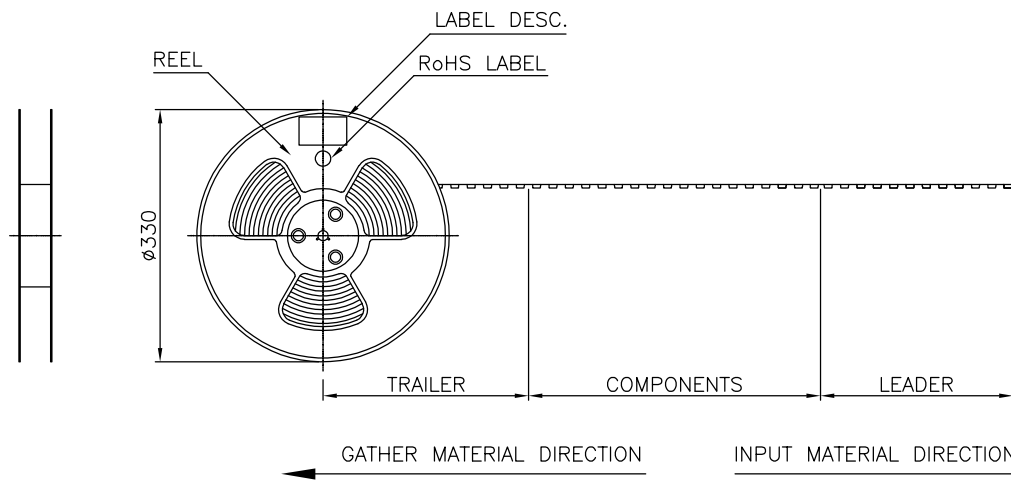
D

C

B

A

REV.	ECN NO.	MODIFY MATTER	DATE	APPROVED
A		RELEASE TO PRODUCTION		



NOTES:

- 1.THE START AND END OF EACH REEL, BASED ON THE ACTUAL QUANTITY, RESERVED 10--20PCS SPACE,
- 2.COVER TAPE AND CARRY TAPE PEEL: 10gf~130gf, PEEL DEG.:165°~175°, PEEL SPEED: 250~300mm/Min.,
- 3.CARTON SIZE: 350*350*380mm. K=K,
- 4.QTY': 500PCS/REEL, 10REEL/CARTON, TOTAL 5000PCS/CARTON.

TOLERANCES UNLESS OTHERWISE SPECIFIED: X. --- X.X ± 0.38 X.XX ± 0.25 X.XXX ± 0.10 Angle ±1°	CUSTOMER COPY	深圳市东方御业科技有限公司 WWW.DFYCONN.COM TEL: 0755-27155560			
	DRAWN: CHENLEI	2017/09/10	TITLE: HDMI A Type 19pin REC. 0.50 Pitch. Mid-Mount CH=0.97mm. Board-Height=3.75mm. DIP Type PACKING (RoHS)		
THESE DRAWING AND SPECIFICATION ARE THE PROPERTY OF Shenzhen Dongfangyue ELECTRONIC CO., LTD.. SHALL NOT BE REPRODUCED.	CHECKED: CHENLEI	2017/09/10	PART NO: EAST-HD6310X0001		
	APPROVED: QINKAIXING	2017/09/10	UNIT: mm	SCALE: N/A	SHEET: 1:1