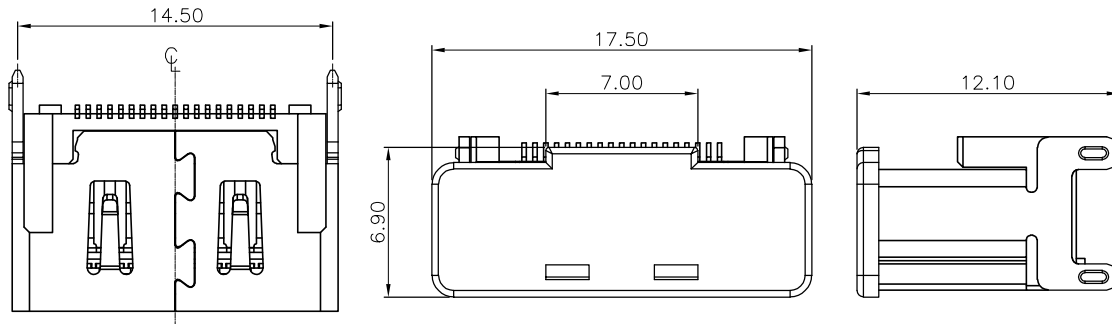


| REV. | ECN NO. | MODIFY MATTER         | DATE | APPROVED |
|------|---------|-----------------------|------|----------|
| A    |         | RELEASE TO PRODUCTION |      |          |

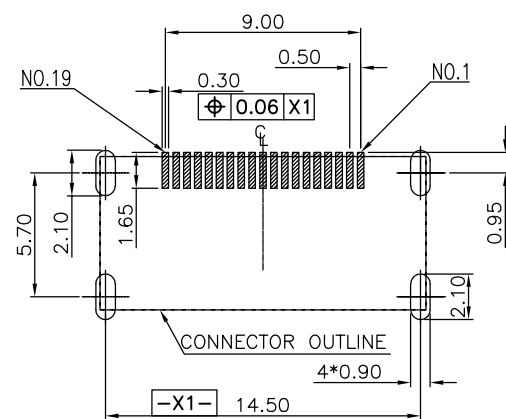
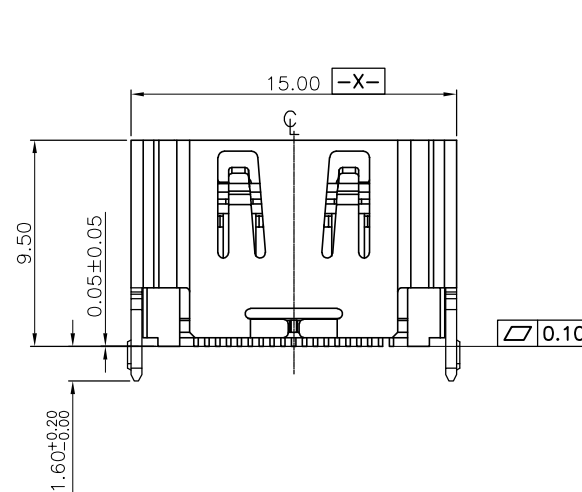
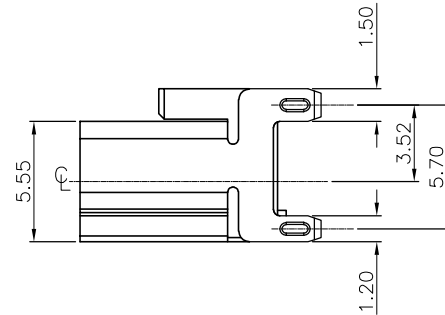
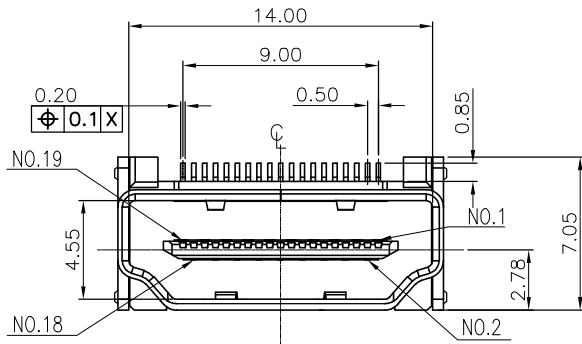
NOTES:

- MATERIAL SPECIFICATION
  - HOUSING: LCP+30% G.F BLACK UL94 V-0.
  - CONTACT: BRASS(C2680).
  - SHELL:STAINLESS STEEL(SUS304).
- PLATING SPECIFICATION
  - CONTACT: NI50u" UNDER PLATED,GOLD FLASH PLATED ON THE FUNCTIONAL AREA OF CONTACT,GOLD PLATING OR TIN ON SOLDER AREA.
  - SHELL: NICKEL PLATED.
- MECHANICAL PERFORMANCE
  - INSERTION FORCE: 44.1N (4.5 KGF) MAX.
  - WITHDRAWAL FORCE: 9.8N~39.2N(1.0KGF~4.0KGF).
  - DURABILITY: 5000 CYCLES.
- ELECTRICAL PERFORMANCE
  - CURRENT RATING: 0.5A.
  - LLCR: CONTACT: 30 mΩ MAX(INITIAL), SHELL: 50 mΩ MAX(INITIAL).
  - INSULATION RESISTANCE:
    - UNMATED: 100 MΩ MIN. AT 500V DC.
    - MATED: 10 MΩ MIN. AT 150V DC.
  - DIELECTRIC WITHSTAND VOLTAGE:
    - 300V AC/60S(MATED), 500V AC/60S(UNMATED).
- IR REFLOW:
 

THE PEAK TEMPERATURE ON BOARD SHALL BE MAINTAINED FOR 10 SECONDS AT 260±5°C.
- OPERATING TEMPERATURE RANGE: -25°C~85°C.
- RoHS COMPLIANT OR HALOGEN FREE COMPLIANT.
- P/N: EAST-HD1611X00X1



WITH CAP VIEW

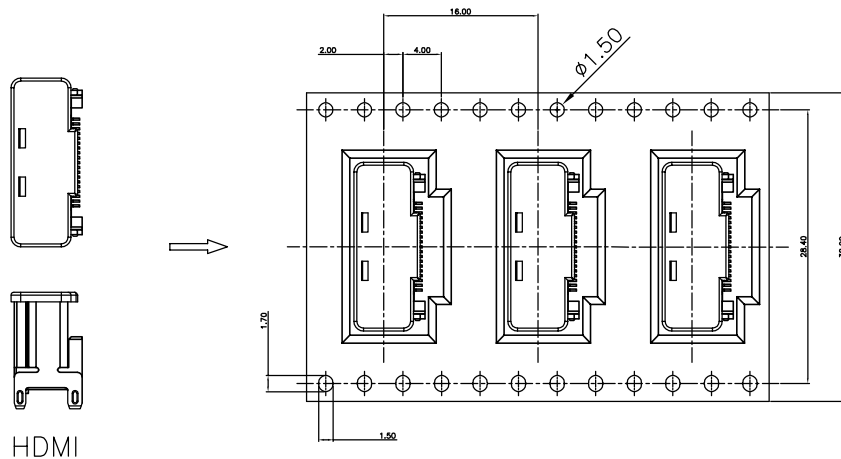
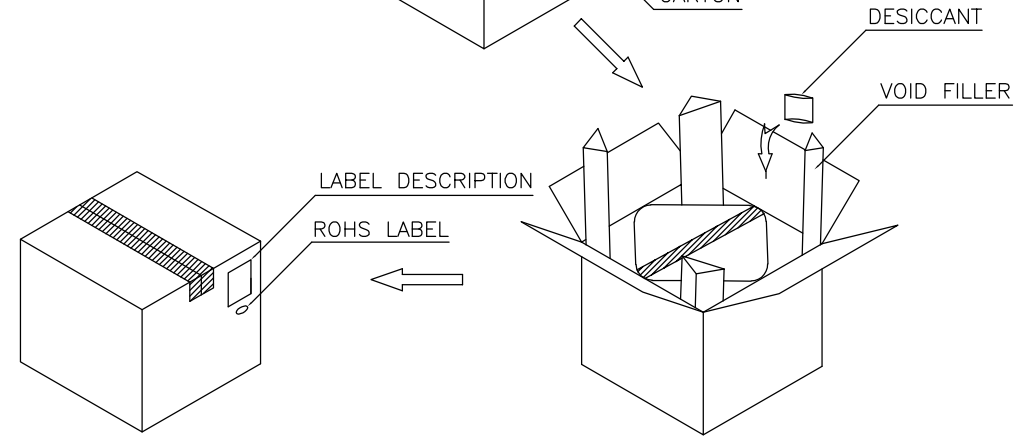
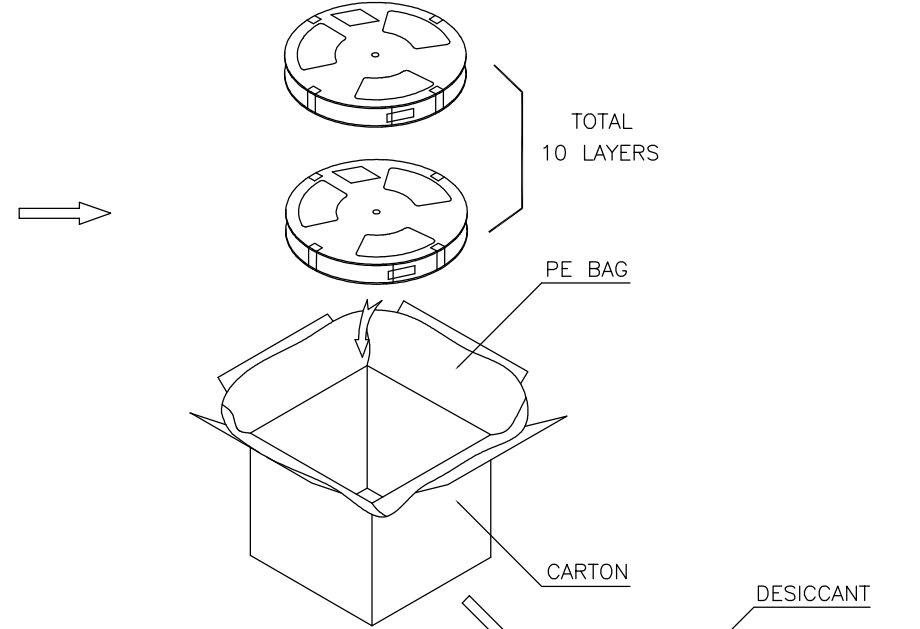
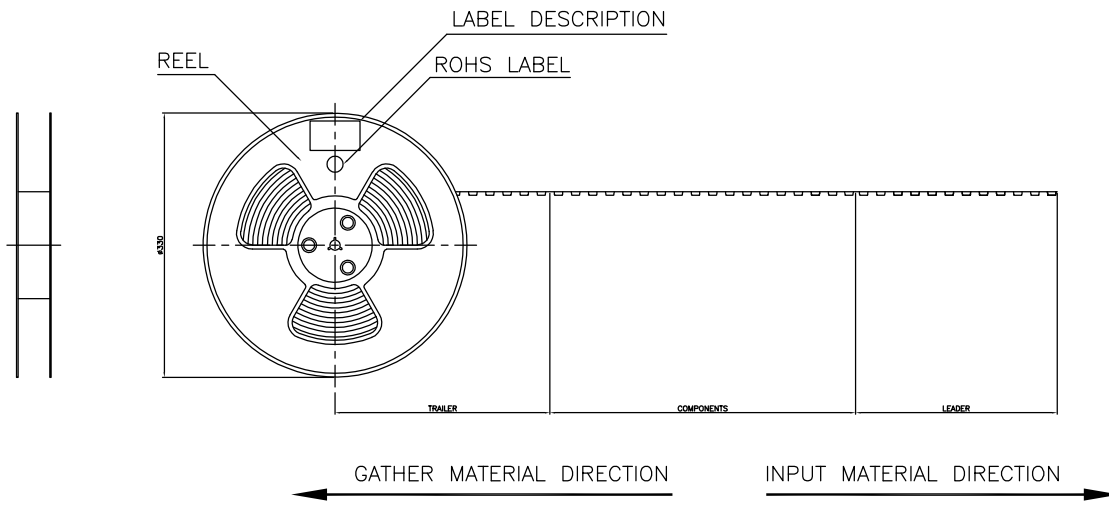


RECOMMENDED P.C.B LAYOUT (COMPONENT SIDE)

| PIN | SIGNAL ASSIGNMENT | PIN | SIGNAL ASSIGNMENT         |
|-----|-------------------|-----|---------------------------|
| 1   | TMDS Data2+       | 11  | TMDS Clock Shield         |
| 2   | TMDS Data2 Shield | 12  | TMDS Clock-               |
| 3   | TMDS Data2-       | 13  | CEC                       |
| 4   | TMDS Data+        | 14  | Reserved (N.C. on device) |
| 5   | TMDS Data1 Shield | 15  | SCL                       |
| 6   | TMDS Data1-       | 16  | SDA                       |
| 7   | TMDS Data0+       | 17  | DDC/CEC Ground            |
| 8   | TMDS Data0 Shield | 18  | +5V Power                 |
| 9   | TMDS Data0-       | 19  | Hot Plug Detect           |
| 10  | TMDS Clock+       |     |                           |

|  |                      |   |  |                            |
|--|----------------------|---|--|----------------------------|
| TOLERANCES UNLESS OTHERWISE SPECIFIED:<br>X. ---<br>X.X ± 0.38<br>X.XX ± 0.25<br>X.XXX ± 0.10<br>Angle ± 1°              | CUSTOMER COPY        | 深圳市东方御业科技有限公司<br>WWW.DFYCONN.COM TEL: 0755-27155560 |  |                            |
|  | DRAWN: CHENLEI       | 2017/09/10  | TITL: HDMI A TYPE 19PIN RECEPTACLE VERTICAL SINGLE-SMT TYPE (RoHS) |                            |
| THESE DRAWING AND SPECIFICATION ARE THE PROPERTY OF Shenzhen Dongfangyuye ELECTRONIC CO., LTD., SHALL NOT BE REPRODUCED. | CHECKED: CHENLEI     | 2017/09/10  | PART NO: EAST-HD1611A0001  |                            |
|  | APPROVED: QINKAIXING | 2017/09/10  | UNIT: mm   | SCALE: N/A SHEEL: 1:1 REV. |

| REV. | ECN NO. | MODIFY MATTER         | DATE | APPROVED |
|------|---------|-----------------------|------|----------|
| A    |         | RELEASE TO PRODUCTION |      |          |



- NOTES:
- 1.THE START AND END OF EACH REEL, BASED ON THE ACTUAL QUANTITY, RESERVED 10--20PCS SPACE;
  - 2.COVER TAPE AND CARRY TAPE PEEL: 10g~130g; PEEL DEG.:165°~175°; PEEL SPEED: 250~300mm/min;
  - 3.CARTON SIZE: 400\*400\*380MM. K=K.
  - 4.QTY': 330PCS/REEL,10REEL/CARTON, TOTAL 3300PCS/CARTON.

|  |                         |            |  |               |               |
|--|-------------------------|------------|--|---------------|---------------|
| TOLERANCES UNLESS OTHERWISE SPECIFIED:<br>X. ---<br>X.X ± 0.38<br>X.XX ± 0.25<br>X.XXX ± 0.10<br>Angle ±1°               | COSTOMER COPY           |            | 深圳市东方御业科技有限公司<br>WWW.DFYCONN.COM TEL: 0755-27155560                      |               |               |
|  | DRAWN:<br>CHENLEI       | 2017/09/10 | TITL:<br>HDMI A TYPE 19PIN RECEPTACLE<br>VERTICAL SINGLE-SMT TYPE (RoHS) |               |               |
| THESE DRAWING AND SPICIFICATION ARE THE PROPERTY OF Shenzhen Dongfangyuye ELECTRONIC CO., LTD.. SHALL NOT BE REPRODUCED. | CHECKED:<br>CHENLEI     | 2017/09/10 | PART NO:<br>EAST-HD1611A0001   |               |               |
|  | APPROVED:<br>QINKAIXING | 2017/09/10 | UNIT:<br>mm  | SCALE:<br>N/A | SHEEL:<br>1:1 |