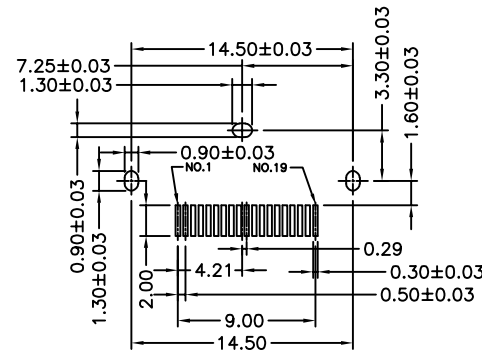
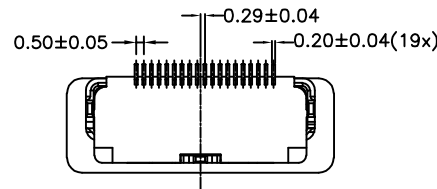
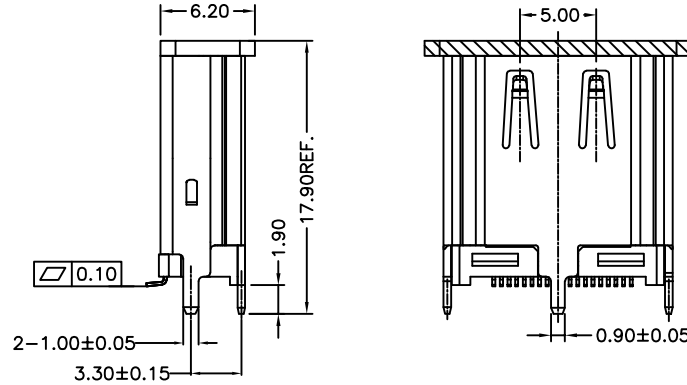
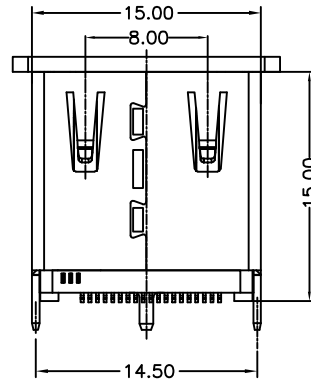
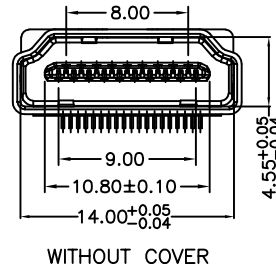
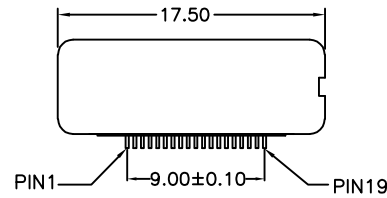


REV.	ECN NO.	MODIFY MATTER	DATE	APPROVED
A		RELEASE TO PRODUCTION		



RECOMMENDED PCB LAYOUT (T=1.60mm)
TOP VIEW

NOTES:

1.ELECTRONIC:

CONTACT RESISTANCE: 20mohm MAX
INSULATION RESISTANCE: 1000 Mohm MIN
WITHSTAND VOLTAGE:AC 500V,1min.

2.MECHANICAL:

DURABILITY: 10000 CYCLE.

3.ENVIRONMENT CHARACTERISTICS:

OPERTING TEMPERATURE:-55°C TO +105°C

4.RECOMMANDER PCB THICKNESS 1.2 TO 1.60MM

5.MATERIAL LIST:

No.	PART NAME	QTY	MATERIAL	REMARK
4	SHELL	1	COPPER ALLOY T=0.50	NI PLATED
3	CONTACT	19	COPPER ALLOY T=0.20	AU PLATED
2	CAP	1	THERMOPLASTIC(LCP)	(UL 94V-0) BLACK
1	HOUSING	1	THERMOPLASTIC(LCP)	(UL 94V-0) BLACK

PIN	SIGNAL ASSIGNMENT	PIN	SIGNAL ASSIGNMENT
1	TMDS Data2+	11	TMDS Clock Shield
2	TMDS Data2 Shield	12	TMDS Clock-
3	TMDS Data2-	13	CEC
4	TMDS Data+	14	Reserved (N.C. on device)
5	TMDS Data1 Shield	15	SCL
6	TMDS Data1-	16	SDA
7	TMDS Data0+	17	DDC/CEC Ground
8	TMDS Data0 Shield	18	+5V Power
9	TMDS Data0-	19	Hot Plug Detect
10	TMDS Clock+		

TOLERANCES UNLESS OTHERWISE SPECIFIED:
X. ---
X.X ± 0.38
X.XX ± 0.25
X.XXX ± 0.10
Angle ±1°

THESE DRAWING AND SPECIFICATION ARE THE PROPERTY OF Shenzhen Dongfangyuye ELECTRONIC CO., LTD., SHALL NOT BE REPRODUCED.

CUSTOMER COPY

DRAWN: CHENLEI
CHECKED: CHENLEI
APPROVED: QINKAIXING

深圳市东方御业科技有限公司
WWW.DFYCONN.COM TEL:0755-27155560

TITL: HDMI 19P FEMALE VERTICAL H15.0 (INSET MOLDING)
PART NO: EAST-HD19B1N1184

UNIT: mm
SCALE: N/A
SHEEL: 1:1
REV.