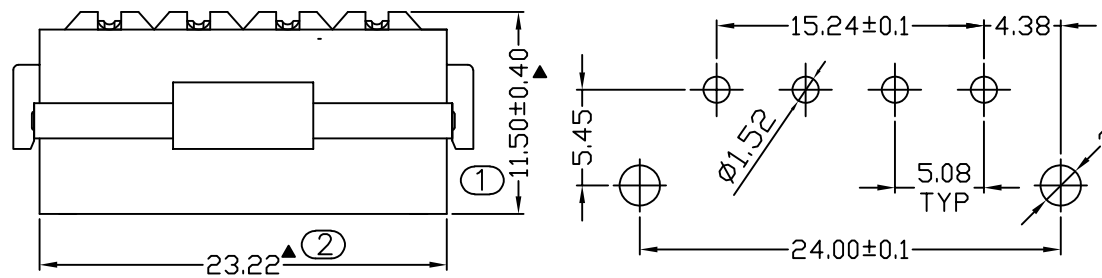
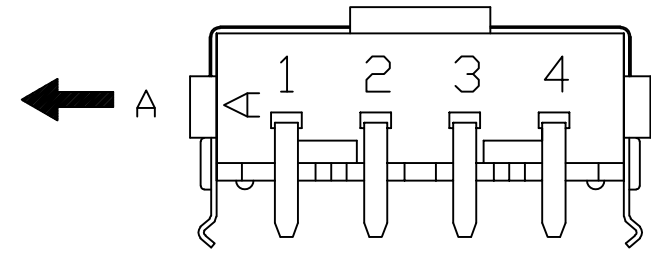
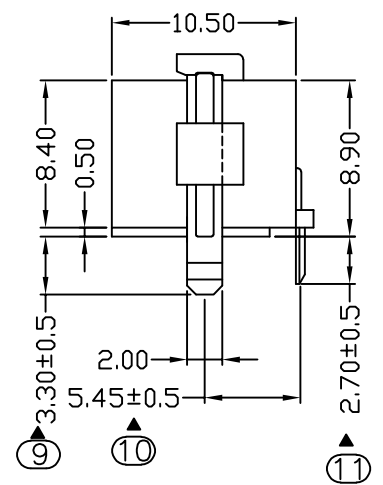
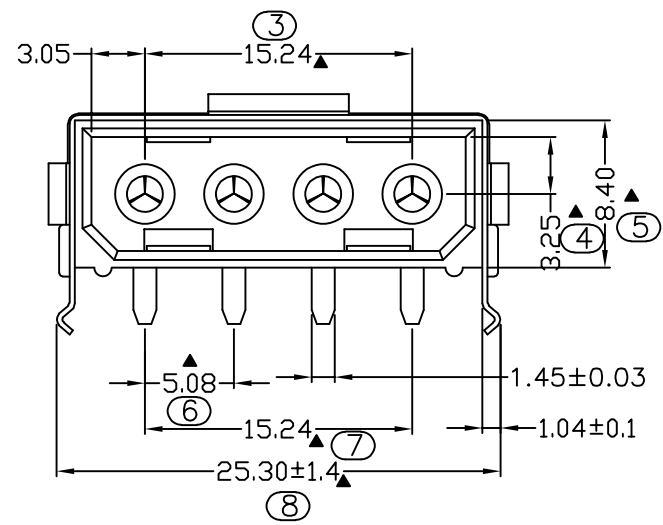


REV	LTR	DESCRIPTION	DATE	DWN
-----	-----	-------------	------	-----



P.C.BOARD DIM.(REF)(t=1.60)  
(TOLERANCE ±0.05)

SPECIFICATION:  
 1.Material:  
 Housing: NYLON 6T,UL 94V-2  
 COLOR:BLACK  
 CONTACT:BRASS C2680 T=0.25mm  
 METAL BAND:BRASS C2680 T=0.30mm  
 2.Plating:  
 CONTACT:50u" MIN.NICKEL UNDERPLATING OVER ALL  
 Metal Band:50u" MIN.NICKEL UNDERPLATING OVER ALL  
 3."▲" 為重點檢驗尺寸, "X" 為重點檢驗尺寸序號, "▽" 為CPK檢驗尺寸.



\*ORDER INFORMATION:\*

EAST-004 04 X 02 K1 A R

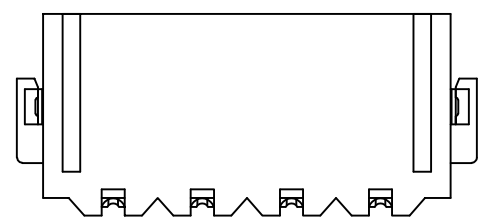
No. of Pins: \_\_\_\_\_

Plating: \_\_\_\_\_  
I- Tin Plated

Environment Protection:  
R for RoHS  
G for GP  
H for Halogen-free

Packing:  
A-Tube, C-Tray, E-Box

HSG Color:  
K1:Black, L1:White .....



TOLERANCE		TITLE: 1X4P POWER BASE CONNECTOR, R/A TYPE	
LINEAR	ANGLES	深圳市东方御业科技有限公司	
X.±0.50	X°.±2.0°	WWW.DFYOCNN.COM Tel:0755-27155560	
.X±0.38	.X°.±1.0°	PART NO.: _____	
.XX±0.25	.XX°.±	APPD:	DRWN: Rocky
.XXX±0.15	.XXX°.±	CHKD:	DATE: 2016-10-24
		DWG NO.: _____	
		UNITS	SCALE
		MM	1:1
		SHEET	REV
		1 OF 4	A/0