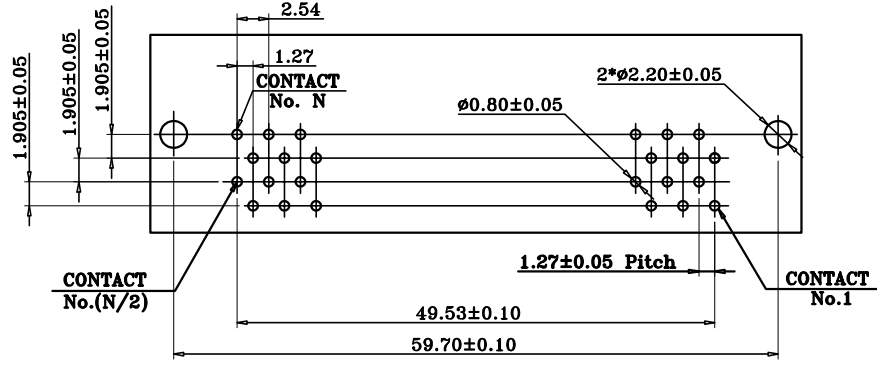
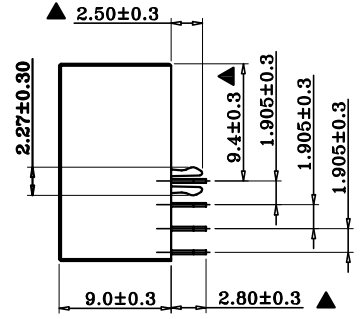
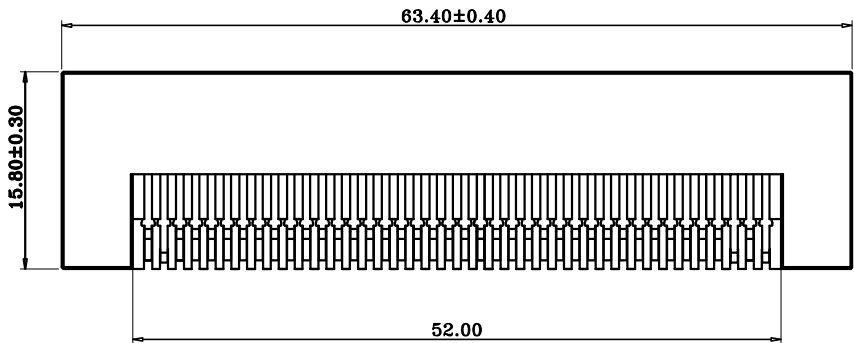
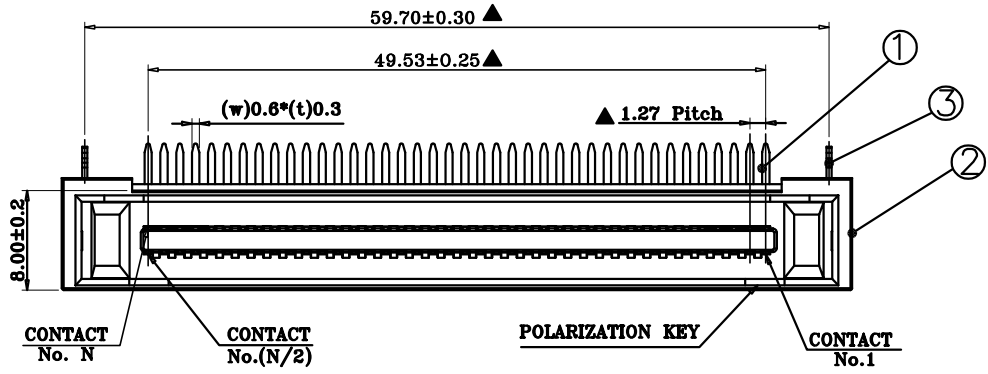


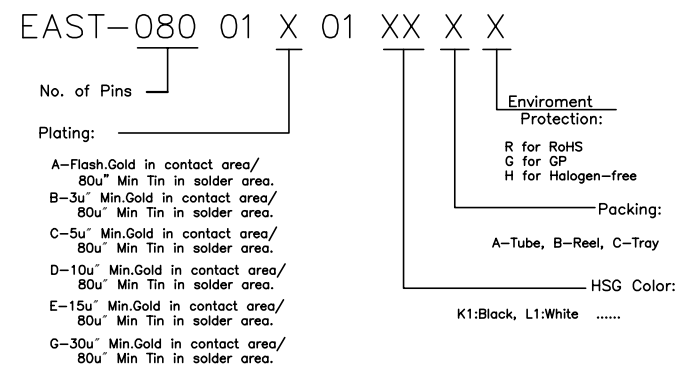
REV	LTR	DESCRIPTION	DATE	DWN
-----	-----	-------------	------	-----



APPLICABLE P.C.B DIMENSION(REF.)
(40,60,80,100,POSITIONS)

- NOTES:
- MATERIALS:
 - HOUSING: PBT+30%GF,UL-HB,COLOR BLACK
 - TERMINALS: Copper Alloy T=0.30mm
 - HOOK PIN: Copper Alloy, T=0.40mm
 - PLATING
 - TERMINALS:
 - NICKEL 30 μ" MIN UNDERPLATED, TIN 80 μ" MIN ON SOLDER TAIL AREA, Au ON CONTACT ARER -SEE TABLE;
 - HOOK PIN:
 - NICKEL 30 μ" MIN UNDERPLATED, TIN 80 μ" MIN OVER ALL.
 - IR SOLDER CAPABLE TO 245±5°C FOR 3±0.5S.
 - ROHS COMPLIANT.
 - ELECTRICAL PERFORMANCE:
 - INSULATION RESISTANCE: DC 100V/50MQ MIN. ;
 - DIELECTRIC WITHSTANDING VOLTAGE: 100VAC r.m.s.(for one minute),
 - CONTACT RESISTANCE: 50mΩMAX.(INITIAL); 100mΩMAX.(AFTER LIFE TEST)
 - ENVIRONMENTAL CHARACTERSTICS:
 - STORAGE TEMPERATURE RANGE:-25°C~+85°C
 - OPERATION TEMPERATURE RANGE:-25°C~+85°C

ORDER INFORMATION:



3	HOOK PIN	2	COPPER ALLOY	(LEAD FREE)TIN/TIN ALLOY	
2	INSULATOR	1	GLASS FILLED PBT		UL-HB
1	CONTACT	N	COPPER ALLOY	SEE TABLE	
符号 NO.	名称 DESCRIPTION	个数 QTY.	材料 MATERIAL	电镀 FINISH	备考 REMARKS
TOLERANCE			深圳市东方御业科技有限公司 Tel:0755-27155560 WWW.DFYCONN.COM		
LINEAR	ANGLES				
X.±0.80	X'.±2.0'			TITLE: CONN PLUG M 80P 4R 90D P1.27mm BLACK TX25-80P-LT-H1E LEAD-FREE	
.X±0.40	.X'±1.0'			PART NO.: SEE TABLE	
.XX±0.25	.XX'±	APPD:	DRWN: Rocky	DWG NO.: EAST-08001A01K1ER	
.XXX±0.15	.XXX'±	CHKD:	DATE: 2016-5-22	UNITS: MM	SCALE: 1:1
				SHEET: 1 OF 1	REV: A/0