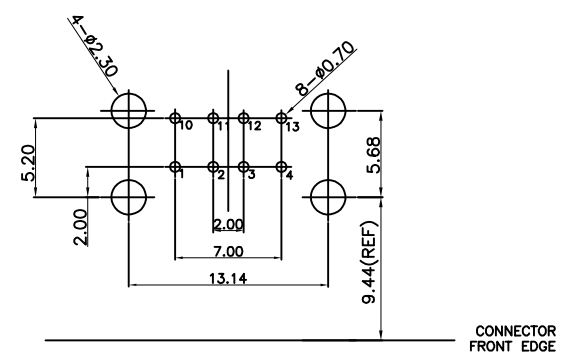
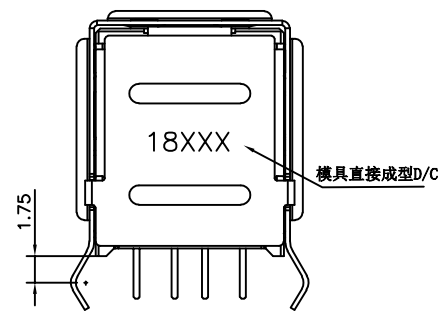
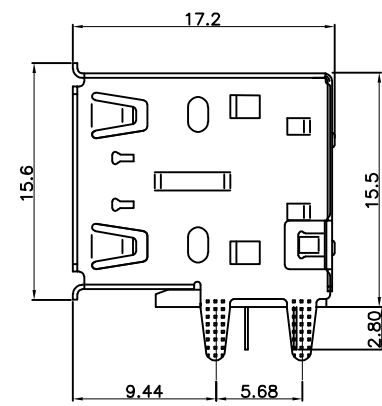
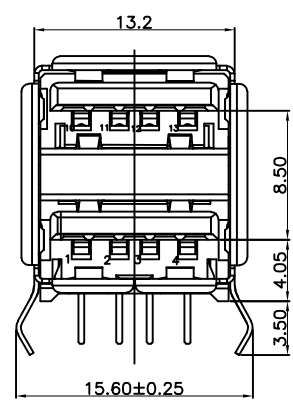
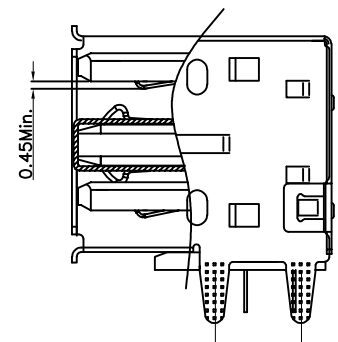
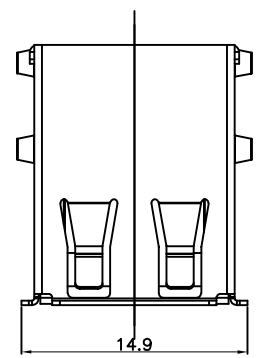
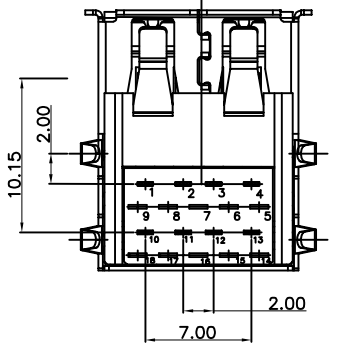


REV.	ECN NO.	MODIFY MATTER	DATE	APPROVED
A		RELEASE TO PRODUCTION		

- MATERIAL:
  - HOUSING: PA66+30%G.F, UL94V-0, COLOR: SEE ORDER INFORMATION  
COVER: PA66+30%G.F, UL94V-0, COLOR: SEE ORDER INFORMATION
  - CONTACT: COPPER ALLOY,  
GOLD FLASH IN CONTACT AREA,  
80U" MIN TIN PLATED IN SOLDER AREA,  
30U" MIN NICKEL UNDERPLATED OVERALL.
  - SHELL: SPCC, 50U" MIN NICKEL PLATED.
- SPECIFICATION:
  - CURRENT RATE: 1.0 AMPS;
  - CONTACT RESISTANCE: 30mΩ MAX;
  - INSULATOR RESISTANCE: 100MΩ MIN. AT 500VDC;
  - DIELECTRIC STRENGTH: 100VAC ONE MINUTE;
  - OPERATION TEMPERATURE: -20°C TO +80°C
- NOTES:
  - ALL COMPONENTS ARE RoHS COMPLIANT.
  - RESISTANCE TO SOLDERING HEAT: 265°C FOR 5 SECONDS,  
AND ONLY FOR WAVE SOLDERING PROCESS.
  - ORDER INFORMATION:



RECOMMENDED P.C.B LAYOUT(PCB THICKNESS: 1.6mm)  
COMPONENT SIDE VIEW(TOLERANCE: ±0.05)



Pin Assignment:

Pin No.	10	11	12	13
Signal	Vbus	D-	D+	GND
Remark	USB2.0 Contact Pin			

EAST-USB224X102X

- 1: 铁壳
- 2: 铜壳
- B: 黑色
- W: 白色

TOLERANCES UNLESS OTHERWISE SPECIFIED: X. --- X.X ± 0.38 X.XX ± 0.25 X.XXX ± 0.10 Angle ± 1°	COSTOMER COPY	深圳市东方御业科技有限公司 WWW.DFYCONN.COM TEL:0755-27155560	
	DRAWN: CHENLEI	2017/09/10	TITIAL: 双层USB2.0 (3.0覆胶) R/A DIP TYPE, 9.44脚位 端子两排 (RoHS)
THESE DRAWING AND SPECIFICATION ARE THE PROPERTY OF Shenzhen Dongfangyuxue ELECTRONIC CO., LTD., SHALL NOT BE REPRODUCED.	CHECKED: CHENLEI	2017/09/10	PART NO: EAST-USB224X102X
	APPROVED: QINKAIXING	2017/09/10	DRAWING NO: UNIT: mm
			SCALE: N/A SHEEL: 1:1 REV.