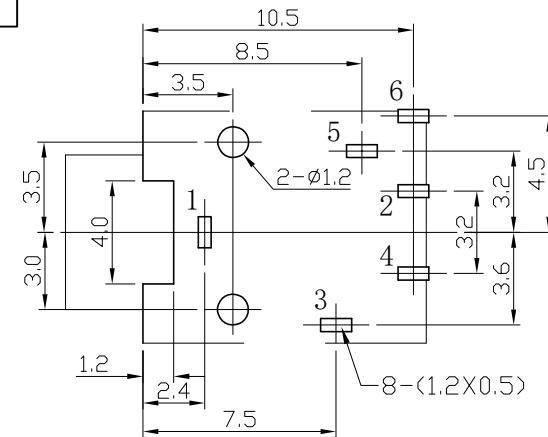
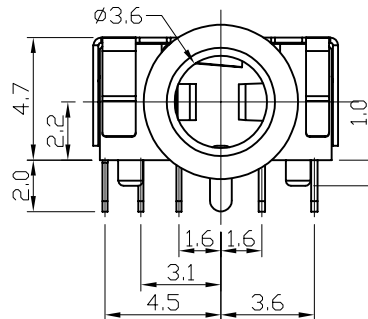
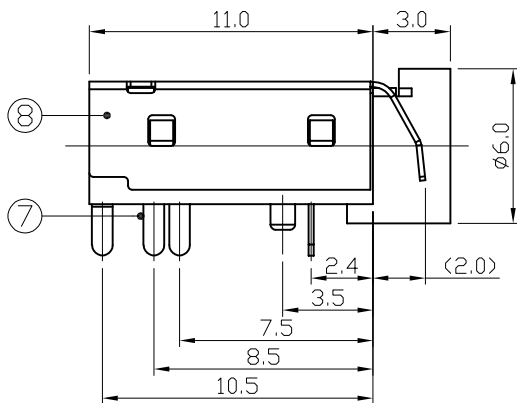
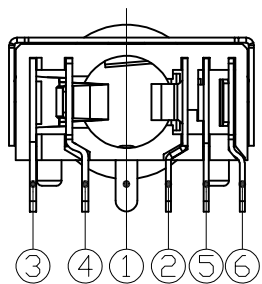
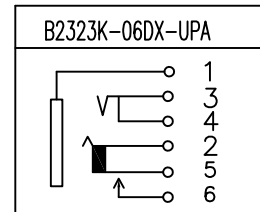
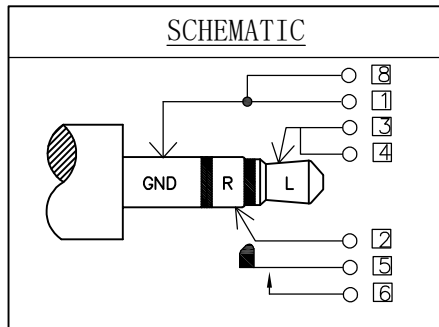
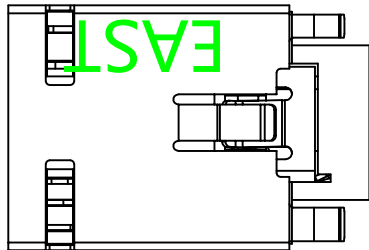
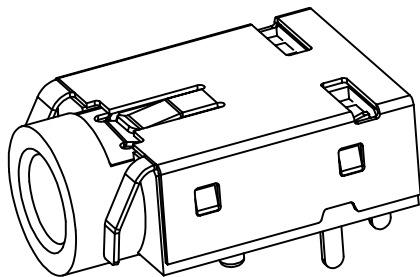
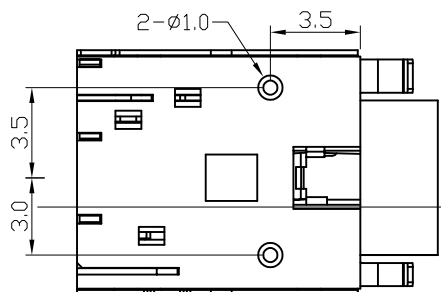


| | | | | |
|------|--------|----------|----------|------|
| ZONE | SYMBOL | REVISION | APPROVAL | DATE |
| | | | | |



P. C. B LAYOUT
TOP VIEW



SPECIFICATION

1. Rating : DC 30V 0.5A;
2. Contact resistance: $\leq 0.03\Omega$;
3. Insulation resistance: $\geq 100M\Omega$ (DC250V);
4. Withstand voltage: 500VAC ;
5. Insertion and extraction force: 3-30N;
6. life test: 5,000 cycles.

EAST-2323K-06DX-UPA

- B:BLACK
- P:PINK(#199C)
- G:GREEN(#577C)

| NO. | DESCRIPTION | QTY | MATERIAL | PLATING |
|-----|--------------|-----|-----------------|------------|
| 8 | SHELL | 1 | SUS | |
| 7 | HOUSING | 1 | PA9T | UL-94V0 |
| 6 | CONTACT FOOT | 1 | PHOSPHOR BRONZE | Sn-Plating |
| 5 | SPRING PIECE | 1 | PHOSPHOR BRONZE | Sn-Plating |
| 4 | CURVE PIECE | 1 | PHOSPHOR BRONZE | Sn-Plating |
| 3 | SPRING PIECE | 1 | PHOSPHOR BRONZE | Sn-Plating |
| 2 | SPRING PIECE | 1 | PHOSPHOR BRONZE | Sn-Plating |
| 1 | CONTACT FOOT | 1 | PHOSPHOR BRONZE | Sn-Plating |

UNLESS OTHERWISE SPECIFIED
DIMENSION ARE IN CENTIMETERS
TOLERANCE ARE :

| | | |
|------------|----------|--------|
| FRACTION | DECIMAL | ANGLES |
| .X ± 0.3 | .X' ± 5' | |
| .XX ± 0.2 | .X" ± 3' | |
| .XXX ± 0.1 | | |

3rd ANGLE PROJECTION
SCALE 1:1 UNIT mm SIZE A4

深圳市东方御业科技有限公司
WWW.DFYCONN.COM TEL:0755-27155560

| | | |
|---------------|------------|------------------------------|
| APPROVALS | DATE | TITLE |
| DRAWN BRAGG | 2016/09/28 | 3.5Ø Audio Jack |
| CHECKED BRAGG | 2016/09/28 | 3 Poles / EXTRE Switch |
| APPROVED YORK | 2016/10/15 | PART NO. EAST-2323K-06DX-UPA |