

- NOTES:
- MATERIAL:
    - HOUSING-HIGH TEMPERATURE THERMOPLASTIC, UL94V-0,COLOR:BLACK.
    - CONTACT:COPPER ALLOY.
    - SOLDER PEG AND LATCH:STAINLESS STEEL.
  - FINISH:
    - CONTACT: 50u" MIN NICKEL UNDERPLATED ALL OVER. GOLD FALSH PLATING ON SOLDERTAIL. GOLD PLATING (THICKNESS SEE TABLE) ON CONTACT AREA.
    - SOLDER PEG: 50u" MIN NICKEL UNDERPLATED ALL OVER. AU 2u" MAX ON SOLDERTAIL.

**\*ORDER INFORMATION:\***

**EAST-260 01 X 01 XX X X**

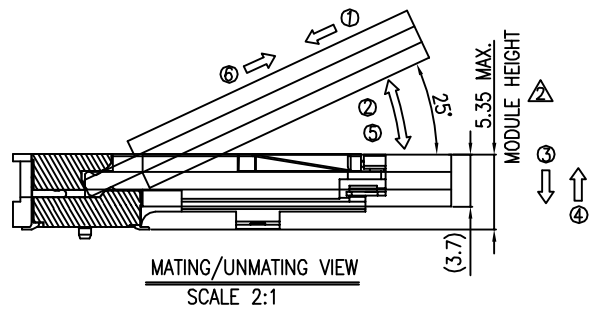
No. of Pins: [ ]

Plating: [ ]

Environment Protection:  
R for RoHS  
G for GP  
H for Halogen-free

Packing:  
A-Tube, B-Reel, C-Tray

Color:  
Kx:Black, Lx:White .....

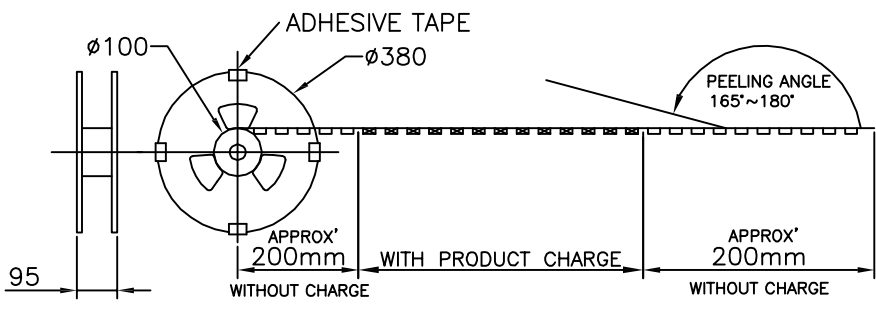


- MATING: ① INSERTING(30°) — ② ROTATING — ③ FIXED
- UNMATING: ④ UNFIXED — ⑤ ROTATING — ⑥ WITHDRAWING

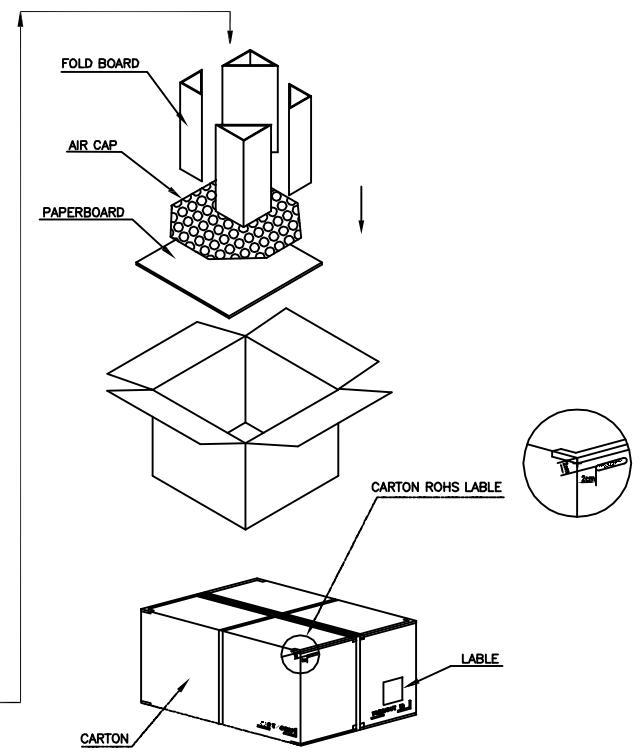
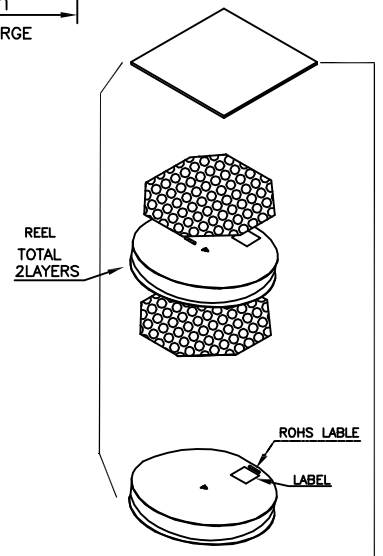
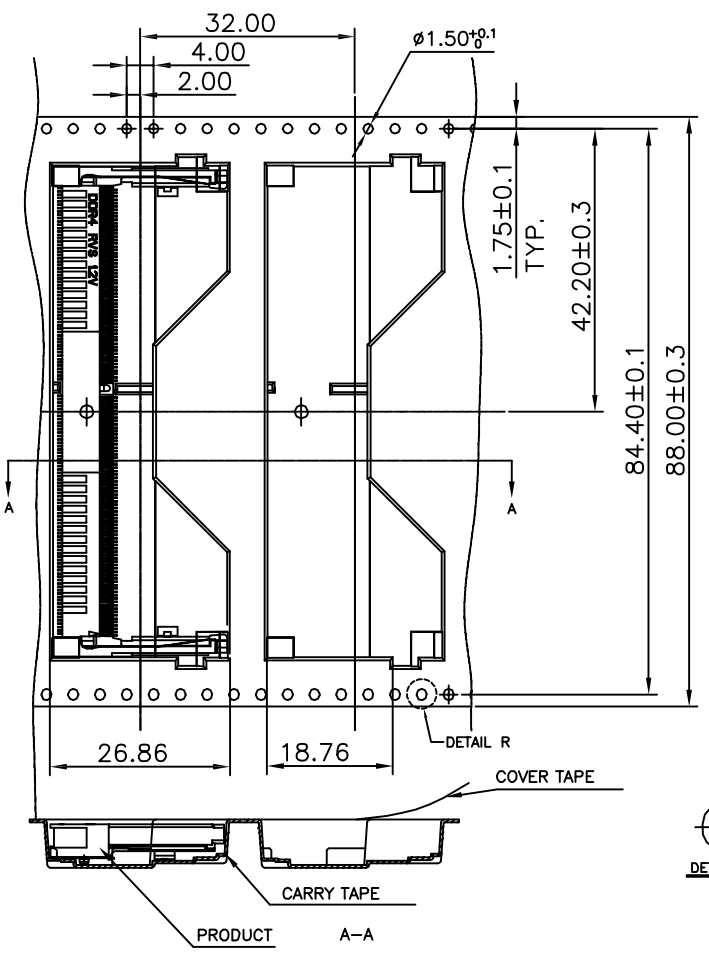
TOLERANCE		深圳市东方御业科技有限公司 WWW.DFYCONN.COM Tel:0755-27155560	TITLE: DDR4 So Dimm 260P 5.2H RVS C-DWG				
LINEAR	ANGLES		PART NO.: SEE TABLE				
X.±0.30	X*.±2.0°		DWG NO.: EAST-26001-01				
.X±0.25	.X*±1.0°						
.XX ±0.20		APPD:	DRWN: Rocky	UNITS	SCALE	SHEET	REV
		CHKD:	DATE: 2014-3-28	MM	1:1	1 OF 3	A/0



REV	LTR	DESCRIPTION	DATE	DWN
-----	-----	-------------	------	-----



PULL OUT DIRECTION



400	2	800	40-42273-2600XRHF
PCS/REEL	REEL/CARTON	PCS/CARTON	PART NUMBER

TOLERANCE		深圳市东方御业科技有限公司		TITLE: DDR4 So Dimm 260P			
LINEAR	ANGLES	www.dfyyconn.com Tel:0755-27155560		5.2H RVS C-DWG			
X. $\pm 0.30$	X* $\pm 2.0^\circ$			PART NO.: SEE TABLE			
.X $\pm 0.25$	.X* $\pm 1.0^\circ$			DWG NO.: EAST-26001-01			
.XX $\pm 0.20$		APPD:	DRWN: Rocky	UNITS	SCALE	SHEET	REV
		CHKD:	DATE: 2014-3-28	MM	1:1	3 OF 3	A/0