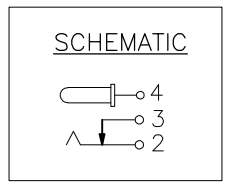
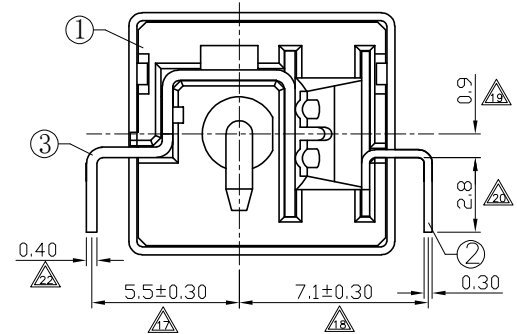
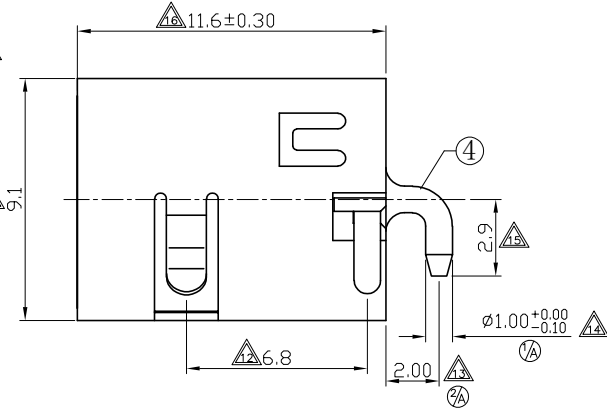
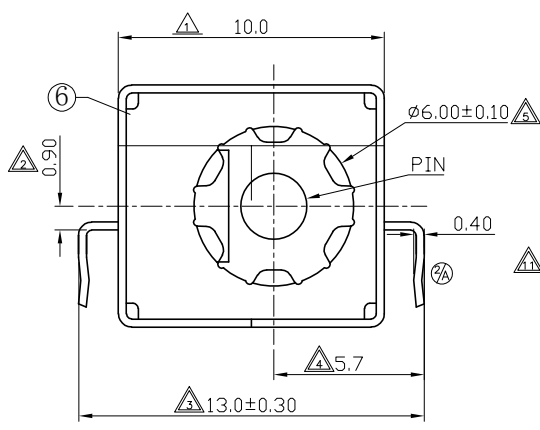
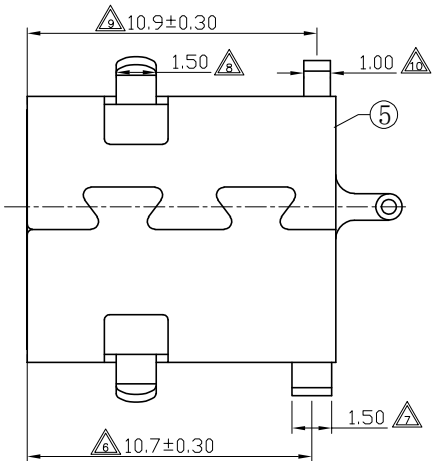
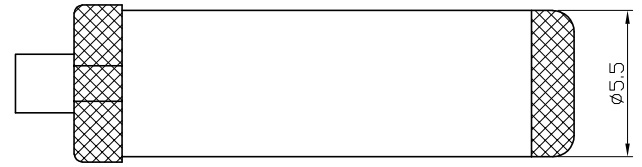
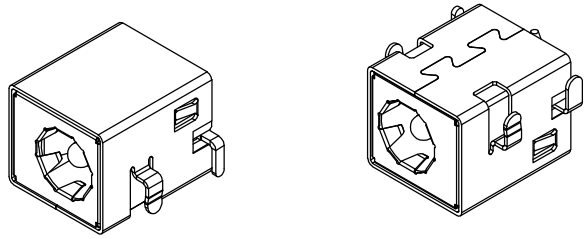


REV.	ECN NO.	MODIFY MATTER	DATE	APPROVED
A		RELEASE TO PRODUCTION		

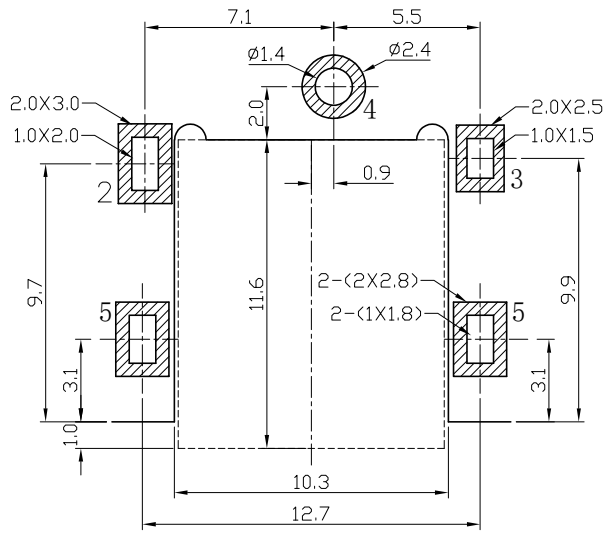
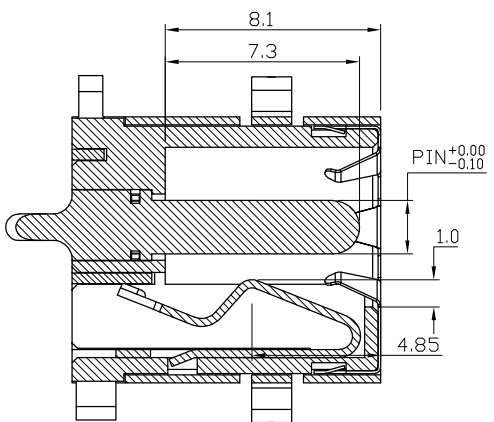


- SPECIFICATION**
- 1.Rating : DC 20V 5.5A;
 - 2.Contact resistance: $\leq 0.03\Omega$;
 - 3.Insulation resistance: $\geq 100M\Omega$ (DC250V);
 - 4.Withstand voltage: 500VAC ;
 - 5.Insertion and extraction force: 3-30N;
 - 6.life test: 5,000 cycles.
 - 7.Marked \triangle are important dimensions.



EAST-D300-X.XX

PIN	$\phi 1.65$	$\phi 2.0$	$\phi 2.5$
APPD	1.65	2.00	2.50



NO.	DESCRIPTION	QTY	MATERIAL	COLOR	REMARK
6	SPRING PIECE	1	SUS301		
5	COAT	1	IRON T=0.3		Ni-Plating
4	PIN	1	ZINC ALLOY		Ni-Plating
3	CONTACT FOOT	1	BRASS T=0.4		Ag-Plating
2	SPRING PIECE	1	BRONZE T=0.3		Ag-Plating
1	HOUSING	1	PA9T		

TOLERANCES UNLESS OTHERWISE SPECIFIED: X. X --- X. XX ± 0.38 X. XX ± 0.25 X. XXX ± 0.10 Angle $\pm 1^\circ$		CUSTOMER COPY		深圳市东方御业科技有限公司 WWW.DFYCCNN.COM TEL:0755-27155560	
THESE DRAWING AND SPECIFICATION ARE THE PROPERTY OF Shenzhen Dongfangyue Electronic Co., Ltd., SHALL NOT BE REPRODUCED.		DRAWN: CHENLEI		DATE: 2017/09/10	
		CHECKED: CHENLEI		DATE: 2017/09/10	
		APPROVED: QINKAIXING		DATE: 2017/09/10	
		PART NO: EAST-D300-X.XX		DRAWING NO: DC-JACK	
		UNIT: mm		SCALE: N/A	
		SHEET: 1:1		REV:	

P.C.B LAYOUT TOP VIEW