

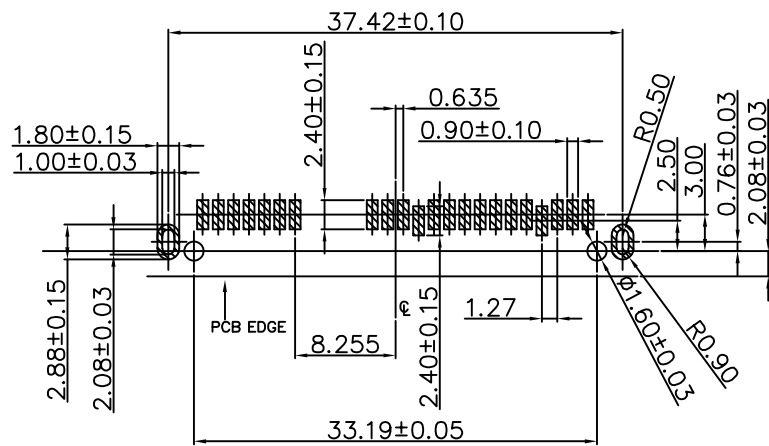
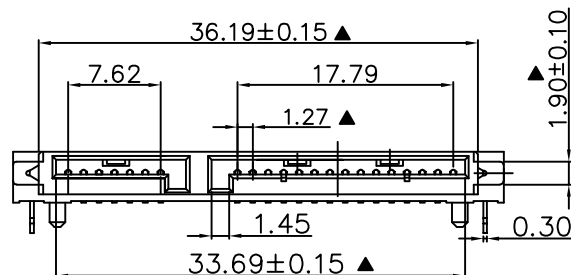
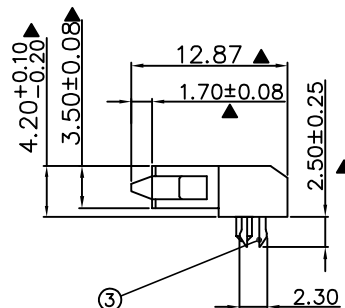
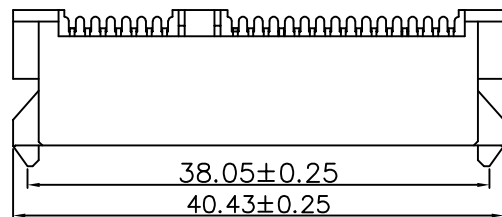
REV.	ECN NO.	MODIFY MATTER	DATE	APPROVED
A		RELEASE TO PRODUCTION		

SPECIFICATION:

1.MATERIAL:
 HOUSING: LCP UL 94V-0
 COLOR:BLACK
 CONTACT: PHOSPHOR BRONZE C5191R-H,T=0.25MM
 PEG: BRASS C2680R-H,T=0.35MM

2.FINISH:
 CONTACT:1U"3U"5U"15U" GOLD/TIN PLATING ON CONTACT AREA
 100u" MIN. TIN PLATING ON SOLDERTAILS
 50u" MIN.NICKEL UNDERPLATING OVER ALL

PEG: 100u" MIN. TIN PLATING ON SOLDERTAILS
 50u" MIN.NICKEL UNDERPLATING OVER ALL



EAST-SA90SDS42LD CR

90:卧式
 18:直立
 SD:SMT
 DP:DIP

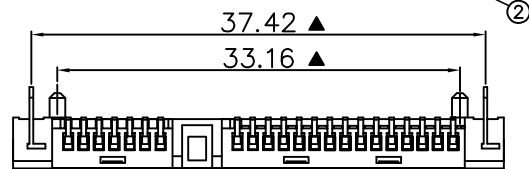
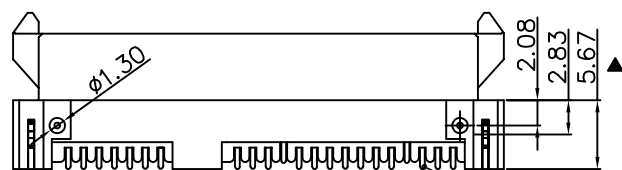
P=公
 S=母

高度
 H:9.1mm

P:PBT
 A:PA66
 L:LCP

包装
 A-Tube,
 B-Reel,
 C-Tray

U=上接触
 D=下接触



RECOMMEND PCB LAYOUT (T=1.2)
 PCB TOLERANCE:±0.05

TOLERANCES UNLESS OTHERWISE SPECIFIED: X. — X.X ± 0.38 X.XX ± 0.25 X.XXX ± 0.10 Angle ±1°	CUSTOMER COPY 深圳市东方御业科技有限公司 WWW.DFYCONN.COM TEL:0755-27155560	
	DRAWN: CHENLEI	2017/09/10
CHECKED: CHENLEI	2017/09/10	PART NO: EAST-SA90SDS42LDCR
APPROVED: QINKAIXING	2017/09/10	DRAWING NO: UNIT: mm SCALE: N/A SHEEL: 1:1 REV.

THESE DRAWING AND SPECIFICATION ARE THE PROPERTY OF Shenzhen Dongfangyue ELECTRONIC CO., LTD. SHALL NOT BE REPRODUCED.