

REV.	ECN NO.	MODIFY MATTER	DATE	APPROVED
A		RELEASE TO PRODUCTION		

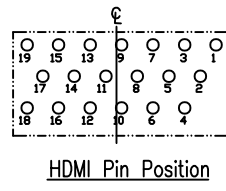
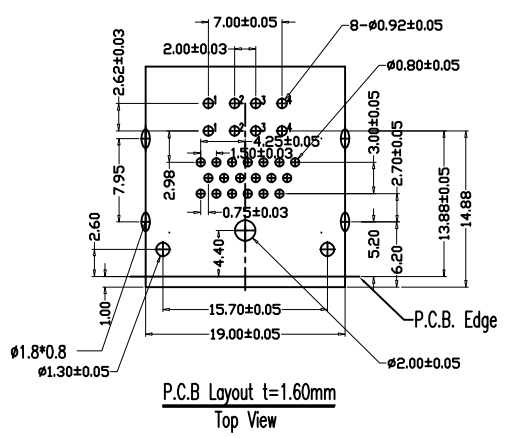
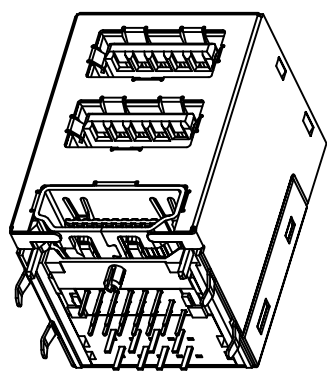
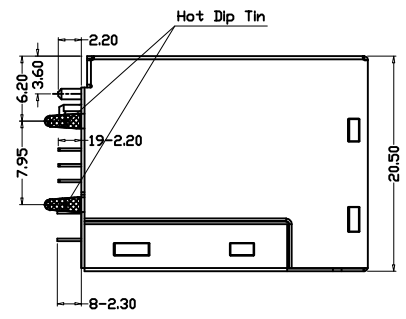
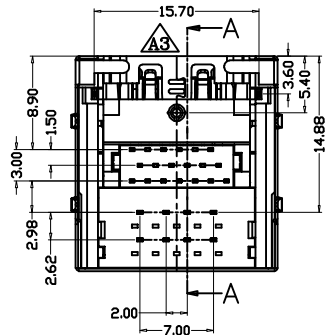
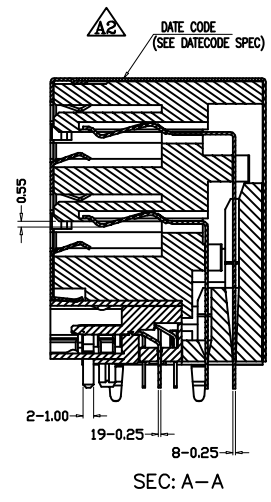
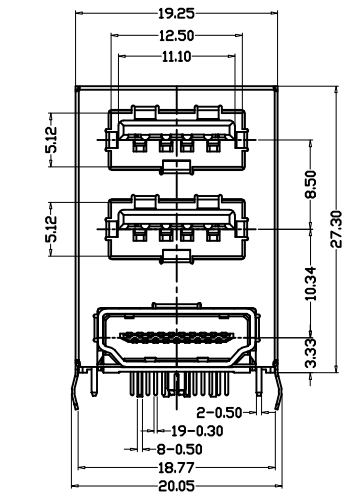


SPECIFICATIONS

1. USB
 - 1.1 Voltage: 250 VAC(RMS) Max.
 - 1.2 Current Rating: 1.5 Ampere per Contact
 - 1.3 Contact Resistance: 30 Milliohms Max.
 - 1.4 Insulation Resistance: 1000 Megohms Min.
 - 1.5 Dielectric Withstanding Voltage: 750 VAC(RMS)
 - 1.6 Total Mating Force: 3.57 Kgf Max.
 - 1.7 Total Unmating Force: 1.02 Kgf Min.
 - 1.8 Operating Temperature: -55°C to +85°C
2. HDMI
 - 2.1 Voltage: 40 VAC(RMS) Max.
 - 2.2 Current Rating: 0.5 Ampere per Contact
 - 2.3 Contact Resistance: 30 Milliohms Max.
 - 2.4 Insulation Resistance: 100 Megohms Min.
 - 2.5 Dielectric Withstanding Voltage: 500V DC(RMS)
 - 2.6 Total Mating Force: 4.5 Kgf Max.
 - 2.7 Total Unmating Force: 1.0 Kgf Min.
 - 2.8 Operating Temperature: -55°C to +85°C

NOTES

1. MATERIAL:
 - Housing(USB):PBT, UL 94V-0, Color:Black.
 - Housing(HDMI):LCP, UL 94V-0, Color:Black.
 - Terminal:Copper Alloy.
 - Shell(USB):Stainless Steel.
 - Shell(HDMI):Copper Alloy.
2. FINISH:
 - Terminal(USB): Gold Plated over Nickel at Contact Area.
 - Tin Plated over Nickel at Solder Area.
 - Terminal(HDMI):Full Gold Plated over Nickel Area.
 - Shell(HDMI):Nickel Plated.
3. This Product is LEAD-FREE & RoHS Compliance Product.



EAST-U2HDOX201XN2

TOP CONNECTOR TYPE
U2: 2-PORT USB 4-POS. FEMALE

BOTTOM CONNECTOR TYPE
HD: HDMI 19-POS. FEMALE

CONTACT FINISH
7: G/F MATTE TIN,
8: 15u" MATTE TIN,
D: UPPER, G/F MATTE TIN,
LOWER, G/F FULL GOLD
Y: UPPER, 15u" MATTE TIN,
LOWER, 15u" FULL GOLD

INSULATOR MATERIALS
1: PBT
A: UPPER-PBT, LOWER-LCP

COLOR STYLE
1: BLACK

N: IT'S COMPLIANT WITH RoHS

TOLERANCES UNLESS OTHERWISE SPECIFIED: X. --- X.X ± 0.38 X.XX ± 0.25 X.XXX ± 0.20 Angle ± 3°	COSTUMER COPY	深圳市东方御业科技有限公司 DFYCONN.COM TEL:0755-2715556	
	DRAWN: Qinx	2017/09/10	TITL: 2-PORT USB 4-POS. FEMALE / HDMI 19-POS.
THESE DRAWING AND SPECIFICATION ARE THE PROPERTY OF Shenzhen Dongfangyuye ELECTRONIC CO., LTD.. SHALL NOT BE REPRODUCED.	CHECKED: Chenl	2017/09/10	PART NO: EAST-U2HDOX201XN2
	APPROVED: Chenl	2017/09/10	DRAWING NO: (RoHS)
	UNIT: mm	SCALE: N/A	SHEEL: REV.

DO NOT SCALE PRINT