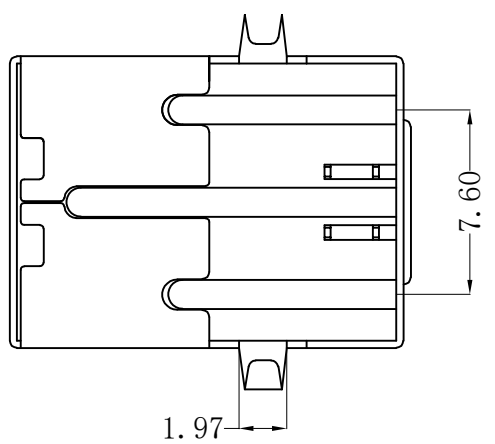
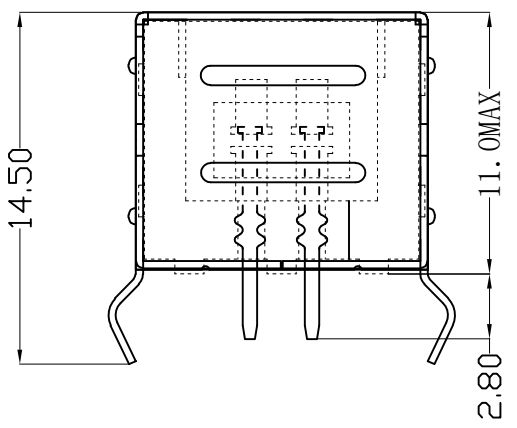
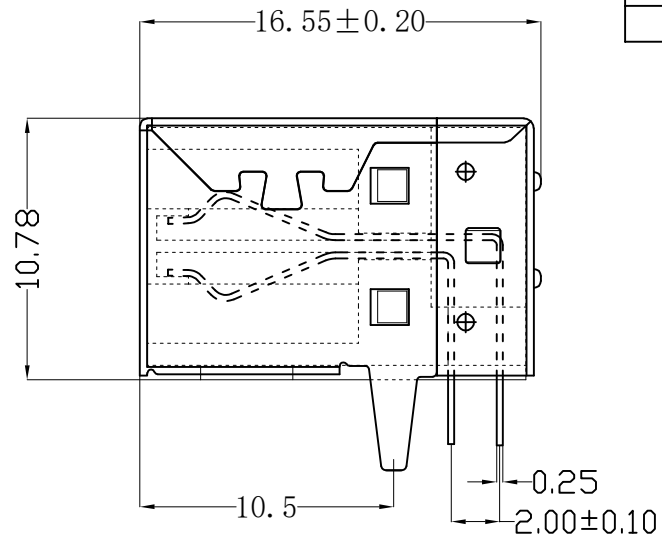
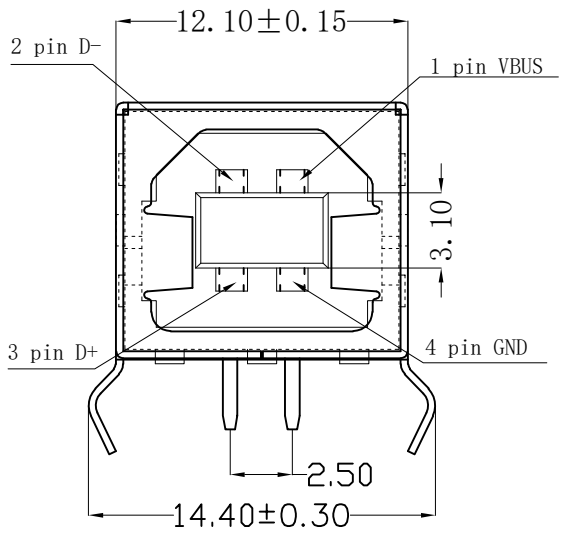
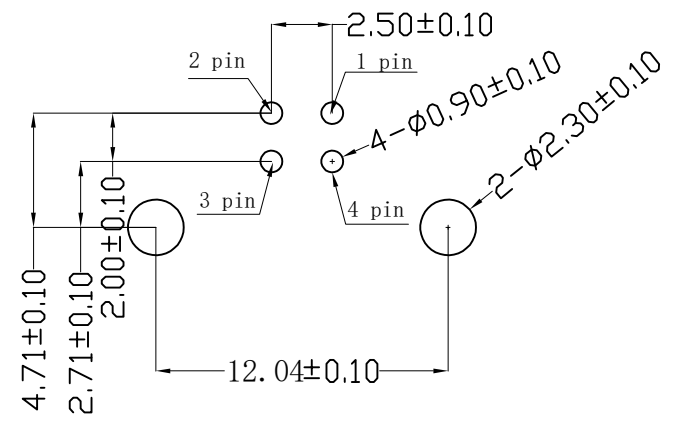


MAPX	MODIFICATION	DATE
------	--------------	------



NOTE:

1. MATERIAL:
 - a. HOUSING: PBT GLASS FIBRE UL94 V-0
 - b. CONTACT: BRASS T=0.25mm
(SURFACE PLATING: Au1u" + Sn80-100u" + Ni60u")
 - c. SHEEL: BRASS T=0.3mm IRON T=0.3mm
(SURFACE PLATING: Cu80-100u" Ni100u" -120u")
2. ELECTRIC:
 - a. CONTACT RESISTANCE: 30 MILLIOHMS MAX
 - b. INSULATION RESISTANCE: 1000 MEGA OHMS MIN
 - c. DIELECTRIC VOLTAGE: 500v AC ONE MIN LEVEL
 - d. OPERATING TEMPERATURE: -55° -85°



P. C. B. LAYOUT

EAST-USB2BF01X102X

- 1: 铁壳
- 2: 铜壳

B: 黑色
W: 白色

产品图 PRODUCT CHART DWG		深圳市东方御业科技有限公司 TEL:0755-27155560 WWW.DFYCONN.COM					
公差一览表 TOLERANCE UNLESS OTHERWISE		单位 UNITS	MM	制图 DRAWING	Z-Y-B	制图料号 PRODUCT PART NO.	EAST-USB2BF01X102X
X.	± 0.25	X.	$\pm 5^\circ$	比例 SCALE	1:1	审核 CHKD	产品名称 PRODUCT NAME
.X	± 0.20	.X	$\pm 2^\circ$	日期 DATE	2014.03.28	核准 APPD	版本 VER
.XX	± 0.15	.XX	$\pm 1^\circ$	角法 VIEW			AD
.XXX	± 0.05	.XXX	$\pm 0.5^\circ$				