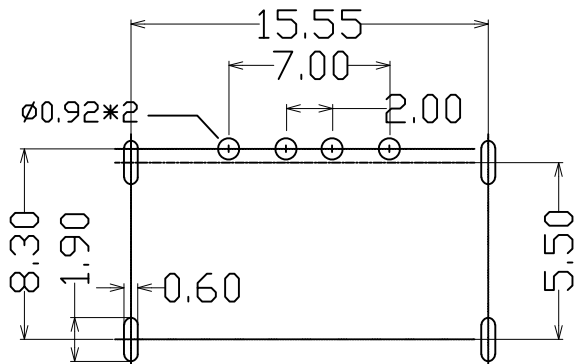
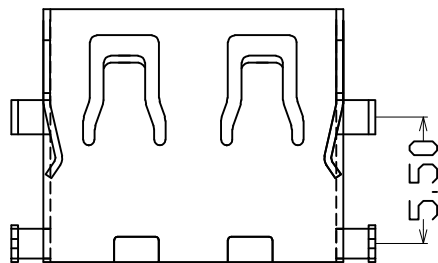


MAPX	MODIFICATION	DATE



RECOMMENDED PCB LAYOUT

规格说明:Specifications:

电气特性:Electrical:

1. 额定电流: Current Rating
1.5A/contact terminal
2. 额定电压: Voltage Rating
30V DC
3. 接触阻抗: Contact Resistance
30 milliohms MAX
4. 耐电压: Dielectric Withstanding Voltage:
500 V AC AT Sea Level
5. 绝缘阻抗: Insulation Resistance:
1000MEGA ohms MIN

物理性能:Mechanical:

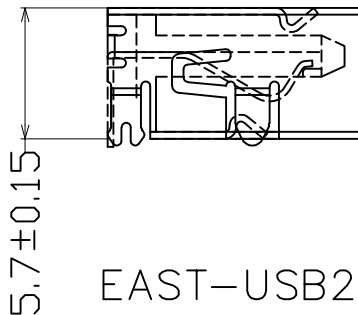
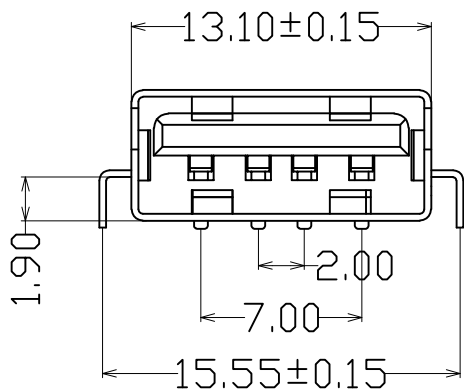
1. 插拔力: Connector Mate and Unmate Force
Mate force: 3.57kgf (MAX)
Unmate force: 1.02kgf (MIN)
2. 端子保持力: Terminal Retention
1.0kgf (MIN)

原材料:Material:

1. 塑胶:Housing:
Hing Temperature Thermoplastics,
U1 94V-0 PBT White/Black
2. 端子: Contact: Copper Alloy C2680
3. 外壳: Shell: Copper Alloy SPCC

电镀:Finish:

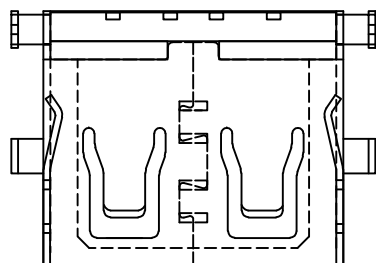
1. 端子: Contact: Plated Gold in Mating Area;
Tin On Solder Tails
2. 外壳: Shell:
Nickel Plating



EAST-USB2H1X0PX1R

1: 铁壳镀镍
5: 铜壳镀镍

1: 吸塑盒
B: 黑色
W: 白色
P: PBT
L: LCP



产品图 PRODUCT CHART DWG				深圳市东方御业科技有限公司 Tel:0755-27155560 https://dfyyconn.1688.com						
公差一览表 TOLERANCE UNLESS OTHERWISE				单位 UNITS	MM	制图 DRAWING	Gavin	制图料号 PRODUCT PART NO.		
X.	±0.35	X.	±5°	比例 SCALE	1:1	审核 CHKD	郭治富	产品名称 PRODUCT NO.	A/F 短体沉板1.9四脚无边	
.XX	±0.20	.XX	±1°	日期 DATE	2016-03-19	核准 APPD	黄国荣	角法 VIEW		版本 VER
.XXX	±0.10	.XXX	±0.5°							AD