

REV.	ECN NO.	MODIFY MATTER	DATE	APPROVED
A		RELEASE TO PRODUCTION		

NOTES:

- MATERIAL SPECIFICATION
 - HOUSING: LCP+30% G.F BLACK UL94 V-0.
 - CONTACT: BRASS(C2680R-H) T=0.20mm.
 - SHELL: STAINLESS STEEL(SUS304R-1/2H) T=0.40mm.
- PLATING SPECIFICATION
 - CONTACT: NI50u" UNDER PLATED, GOLD FLASH PLATED ON THE FUNCTIONAL AREA OF CONTACT, GOLD PLATING OR TIN ON SOLDER AREA.
 - SHELL: NICKEL PLATED.
- MECHANICAL PERFORMANCE
 - INSERTION FORCE: 44.1N (4.5 KGf) MAX.
 - WITHDRAWAL FORCE: 9.8N~39.2N(1.0KGf~4.0KGf).
 - DURABILITY: 5000 CYCLES.
- ELECTRICAL PERFORMANCE
 - CURRENT RATING: 0.5A.
 - LLCR: CONTACT: 30 mΩ MAX(INITIAL), SHELL: 50 mΩ MAX(INITIAL).
 - INSULATION RESISTANCE:
 - A: UNMATED: 100 MΩ MIN. AT 500V DC.
 - B: MATED: 10 MΩ MIN. AT 150V DC.
 - DIELECTRIC WITHSTAND VOLTAGE:
 - 150V AC/60S(MATED), 250V AC/60S(UNMATED).
- IR REFLOW:

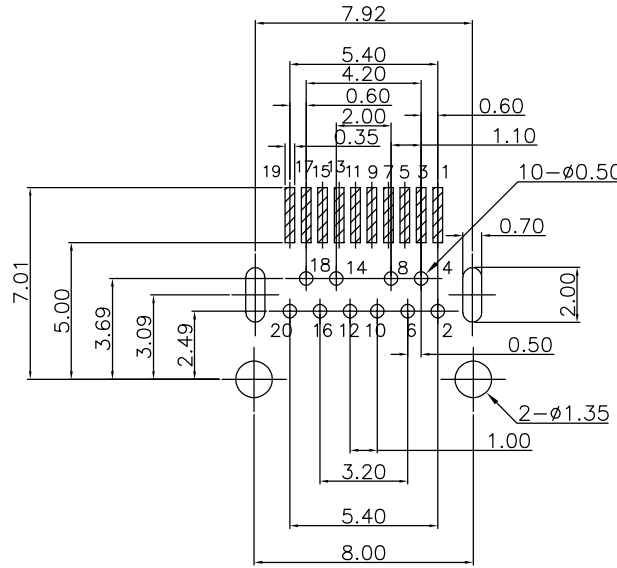
THE PEAK TEMPERATURE ON BOARD SHALL BE MAINTAINED FOR 10 SECONDS AT 260±5°C.
- OPERATING TEMPERATURE RANGE: -25°C~85°C(WITHOUT LOSS FUNCTION).
- RoHS COMPLIANT OR HALOGEN FREE COMPLIANT.
- P/N EAST-DPM20600A1R

TERMINAL PLATING CODE:

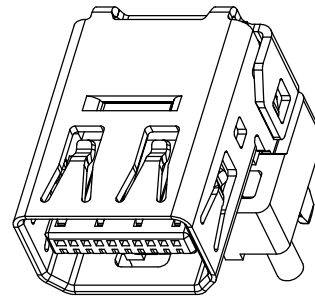
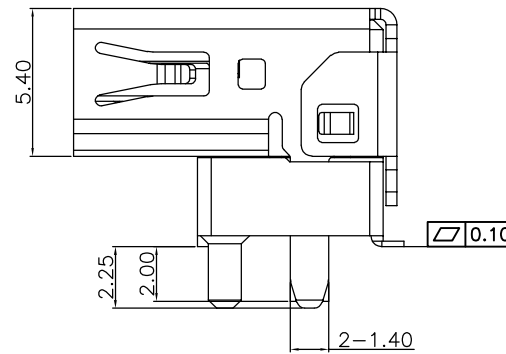
- A: CONTACT AREA: GOLD FLASH
SOLDER AREA: MATTE TIN 60u" MIN.
- B: CONTACT AREA: 5u" GOLD
SOLDER AREA: MATTE TIN 60u" MIN.
- C: CONTACT AREA: 15u" GOLD
SOLDER AREA: MATTE TIN 60u" MIN.

Pin Number	Signal Type	Pin Name	Pin Number	Signal Type	Pin Name
1	GND	GND	2	In	Hot Plug Detect
3	Out	ML_Lane0(P)	4	CONFIG	Config1
5	Out	ML_Lane0(n)	6	CONFIG	Config2
7	GND	GND	8	GND	GND
9	Out	ML_Lane1(p)	10	Out	ML_Lane3(p)
11	Out	ML_Lane1(n)	12	Out	ML_Lane3(n)
13	GND	GND	14	GND	GND
15	Out	ML_Lane2(p)	16	I/O	AUX_CH(p)
17	Out	ML_Lane2(n)	18	I/O	AUX_PH(n)
19	GND	GND	20	PWR Out	DP_PWR

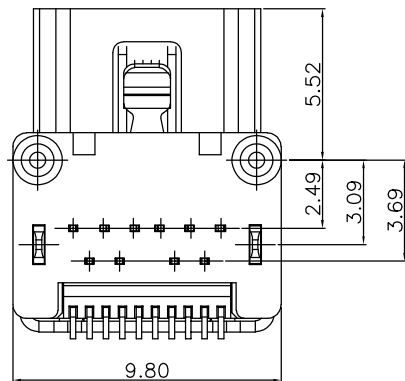
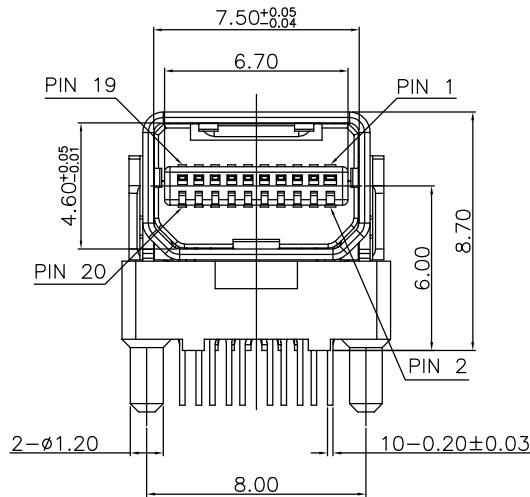
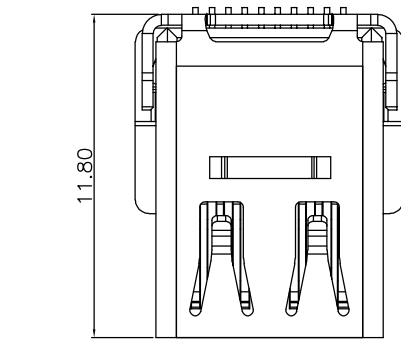
TOLERANCES UNLESS OTHERWISE SPECIFIED: X. --- X.X ± 0.38 X.XX ± 0.25 X.XXX ± 0.10 Angle ± 1°	CUSTOMER COPY		深圳市东方御业科技有限公司 WWW.DFYCONN.COM TEL: 0755-27155560		
	DRAWN: CHENLEI	2017/09/10	TITLE: Mini DISPLAY PORT 20PIN RECEPTACLE CH=6.00 / BH=8.70MM. HYBRID TYPE PACKING (RoHS)		
THESE DRAWING AND SPECIFICATION ARE THE PROPERTY OF Shenzhen Dongfangyue ELECTRONIC CO., LTD., SHALL NOT BE REPRODUCED.	CHECKED: CHENLEI	2017/09/10	PART NO: EAST-DPM20600A1R		
	APPROVED: QINKAIXING	2017/09/10	UNIT: mm	SCALE: N/A	SHEET: 1:1



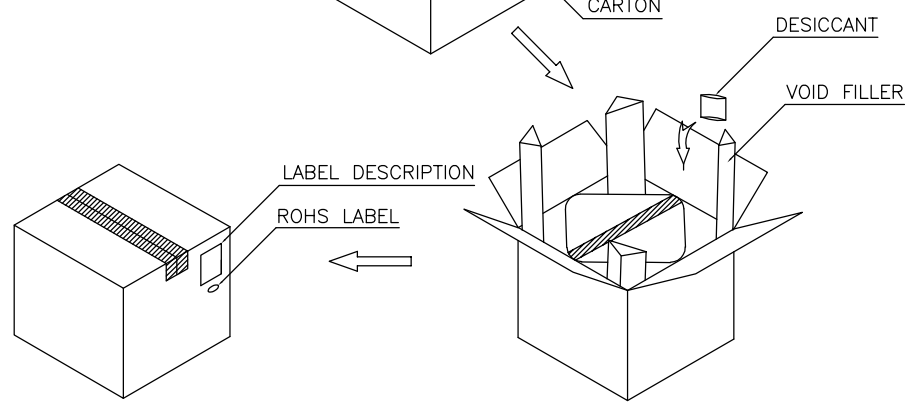
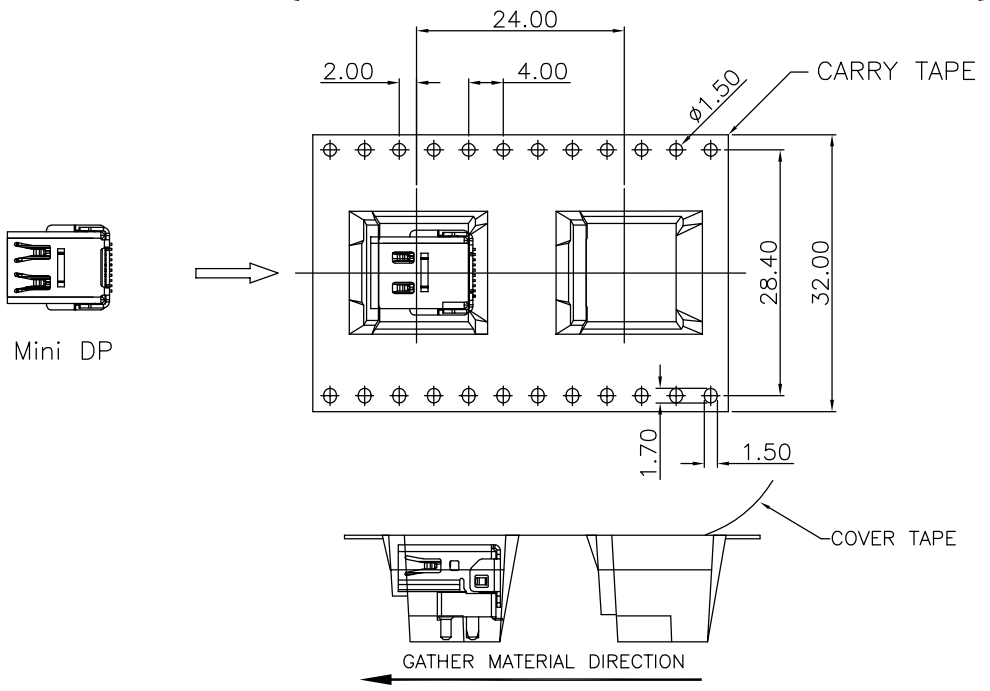
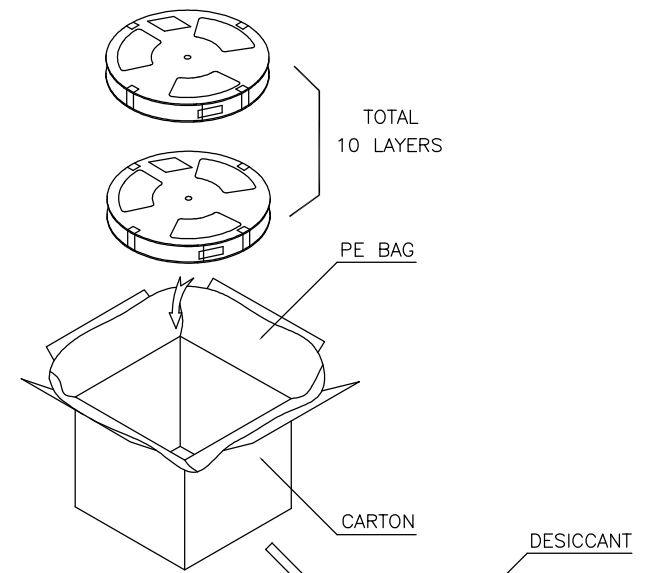
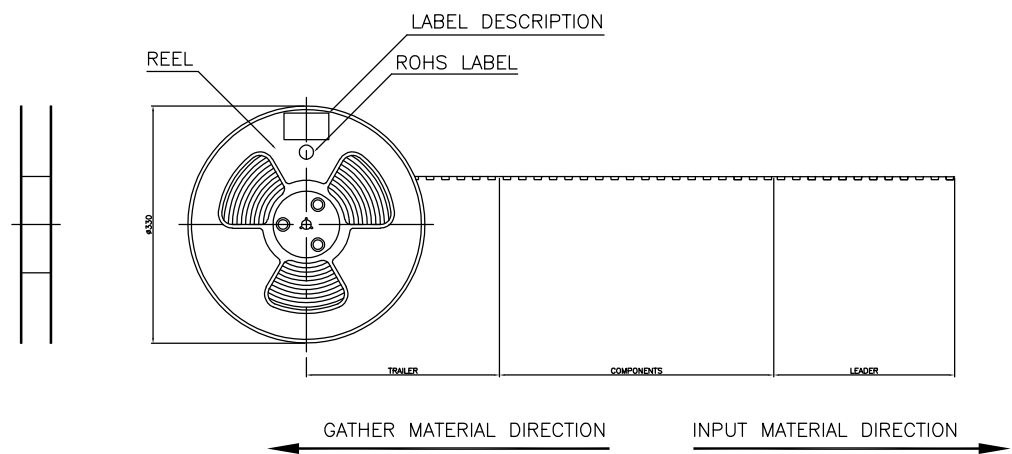
RECOMMENDED PCB LAYOUT(TOP VIEW)
(TOLERANCE=±0.05mm)



3D VIEW



REV.	ECN NO.	MODIFY MATTER	DATE	APPROVED
A		RELEASE TO PRODUCTION		



- NOTES:
- 1.THE START AND END OF EACH REEL, BASED ON THE ACTUAL QUANTITY, RESERVED 10--20PCS SPACE;
 - 2.COVER TAPE AND CARRY TAPE PEEL: 10g~130g; PEEL DEG.:165°~175°; PEEL SPEED: 250~300mm/min;
 - 3.CARTON SIZE: 350*350*380MM. K=K;
 - 4.QTY': 200PCS/REEL,10REEL/CARTON, TOTAL 2000PCS/CARTON.

TOLERANCES UNLESS OTHERWISE SPECIFIED: X. --- X.X ± 0.38 X.XX ± 0.25 X.XXX ± 0.10 Angle ± 1°		CUSTOMER COPY		深圳市东方御业科技有限公司 WWW.DFYCONN.COM TEL: 0755-27155560	
CHECKED: CHENLEI		2017/09/10		TITLE: Mini DISPLAY PORT 20PIN RECEPTACLE CH=6.00 / BH=8.70MM. HYBRID TYPE PACKING (RoHS)	
APPROVED: QINKAIXING		2017/09/10		PART NO: EAST-DPM20600A1R	
THESE DRAWING AND SPECIFICATION ARE THE PROPERTY OF Shenzhen Dongfangyue ELECTRONIC CO., LTD.. SHALL NOT BE REPRODUCED.		UNIT: mm		SCALE: N/A	SHEET: 1:1