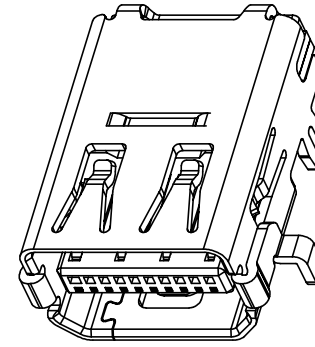
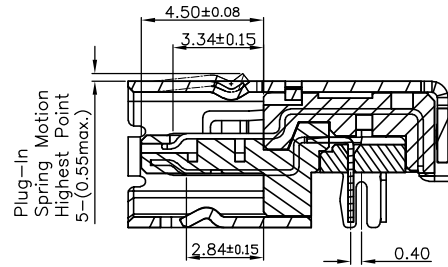
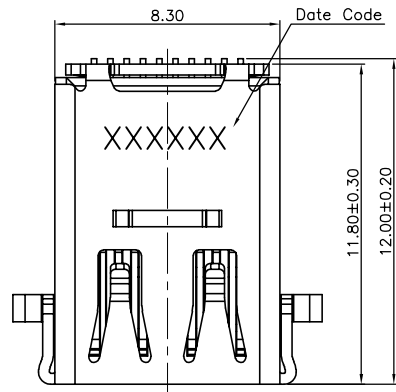


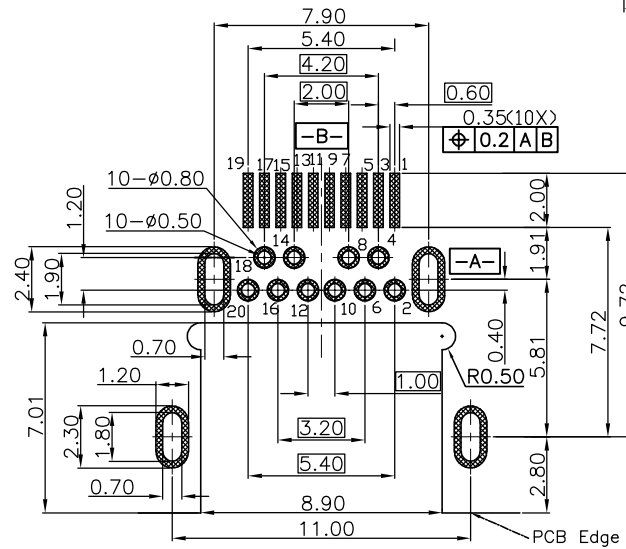
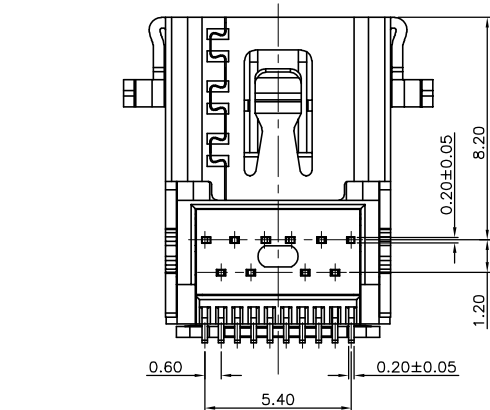
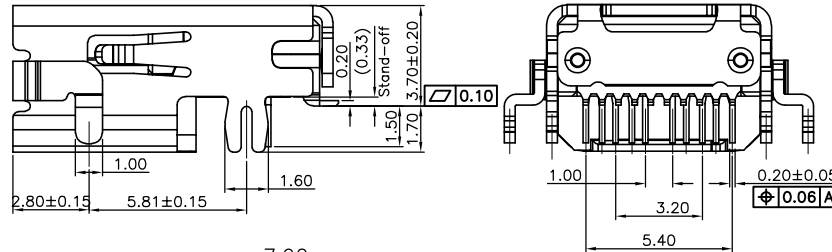
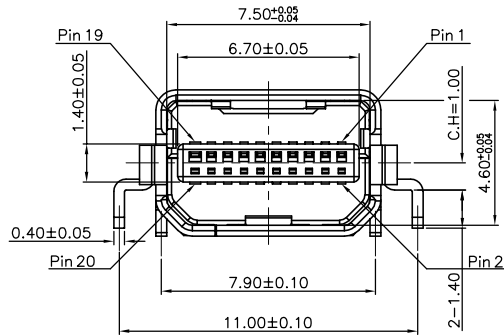
REV.	ECN NO.	MODIFY MATTER	DATE	APPROVED
A		RELEASE TO PRODUCTION		



3D View

Notes:

- Material Specification:**
 - Housing: LCP+30% G.F UL94 V-0 Black.
 - Contact: Copper Alloy (C2680) T=0.20mm.
 - Shell: Stainless Steel (SUS304) T=0.40mm.
- Plating Specification:**
 - Contact: see P/N.
 - Shell: Nickel plated..
- Mechanical Performance:**
 - Insertion force: 44.1N (4.5kgf) max.
 - Withdrawal force: 9.8N~39.2(1.0~4.0kgf).
 - Durability: 5,000 cycles.
- Electrical Performance:**
 - Current rating: 0.5A.
 - LLCR: Contact: 30mΩ max.(initial), Shell: 50mΩ max(initial).
 - Insulation Resistance:
 - unmated: 100MΩ min. at 500V DC.
 - mated: 10MΩ min. at 150V DC.
- Dielectric withstand voltage:** 150V AC/60s(mated), 250V AC/60s(unmated).
- IR Reflow:** The peak temperature on board shall be maintained for 10 seconds at 260±5°C.
- Operating temperature range:** -35°C~105°C(without loss function).
- All parts RoHS and Reach compliant.



Recommended P.C.B Layout (Top View)
(Tolerance: ±0.05mm)

Part Number: EAST-DPM20100A1R

Contact Plating Spec. Code:

- A:** Gold Flash on Contact area, matte Tin 60μ" min. on Tails, and 50μ" min. Nickel overall.
- B:** Au 5μ" on Contact area, matte Tin 60μ" min. on Tails and 50μ" min. Nickel overall.
- 1:** Gold Flash on Contact area, and on Tails, and 50μ" min. Nickel overall.

Mini DisplayPort Connector Pin Assignment

Pin Number	Signal Assignment	Pin Number	Signal Assignment
1	GND	2	In
3	Out	4	CONFIG
5	Out	6	CONFIG
7	GND	8	GND
9	Out	10	Out
11	Out	12	Out
13	GND	14	GND
15	Out	16	I/O
17	Out	18	I/O
19	GND	20	PWR Out

TOLERANCES UNLESS OTHERWISE SPECIFIED:	
X. X	± 0.38
X. XX	± 0.25
X. XXX	± 0.10
Angle	± 1°

CUSTOMER COPY	
DRAWN:	CHENLEI
CHECKED:	CHENLEI
APPROVED:	QINKAIXING

深圳市东方御业科技有限公司
WWW.DFYCONN.COM TEL:0755-27155560

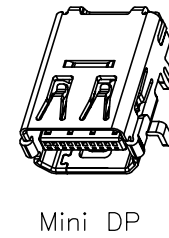
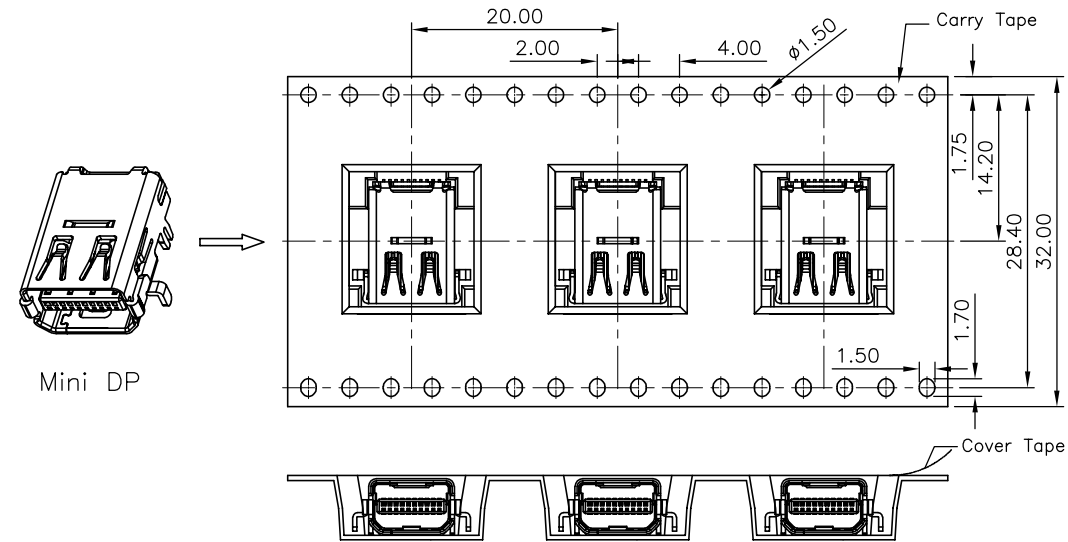
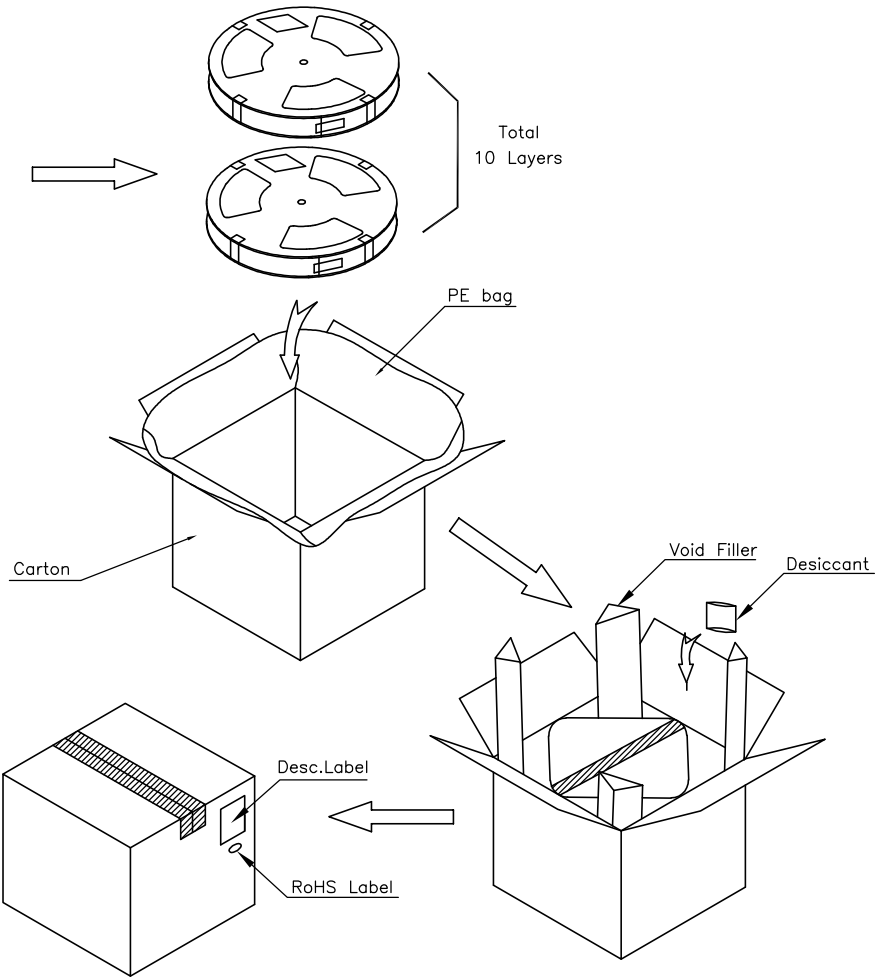
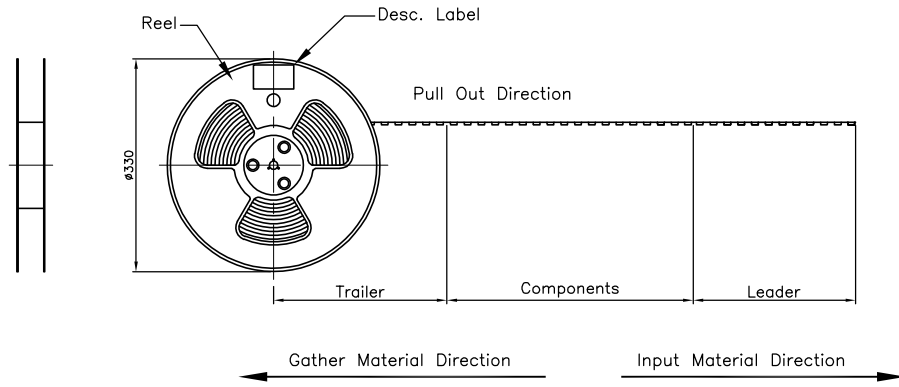
TITLE: 0.60 Pitch. Mini DisplayPort
20Pin Rec. Mid-Mount. CH=1.00mm
BH=3.70mm. Hybrid Type Packing (RoHS)

THESE DRAWING AND SPECIFICATION ARE THE PROPERTY OF Shenzhen Dongfangyue ELECTRONIC CO., LTD. SHALL NOT BE REPRODUCED.

PART NO:	EAST-DPM20100A1R
UNIT:	mm
SCALE:	N/A
SHEET:	1:1
REV.	

UNIT:	mm	SCALE:	N/A	SHEET:	1:1	REV.	
-------	----	--------	-----	--------	-----	------	--

REV.	ECN NO.	MODIFY MATTER	DATE	APPROVED
A		RELEASE TO PRODUCTION		



Mini DP

- Notes:
- 1.The start and end of each Reel, Based on the actual quantity, Reserved 10~20Pcs space,
 - 2.Cover Tape and Carry Tape peel: 10gf~130gf, Peel Deg.:165°~175°, Peel speed: 250~300mm/min.,
 - 3.Carton size: 350*350*380mm. K=K,
 - 4.Q'ty: 560 Pcs/Reel, 10 Reels/Carton, Total 5,600 Pcs/Carton.

TOLERANCES UNLESS OTHERWISE SPECIFIED: X. — X.X ± 0.38 X.XX ± 0.25 X.XXX ± 0.10 Angle ± 1°	CUSTOMER COPY		深圳市东方御业科技有限公司 WWW.DFYCONN.COM TEL:0755-27155560		
	DRAWN: CHENLEI	2017/09/10	TITLE: 0.60 Pitch. Mini DisplayPort 20Pin Rec. Mid-Mount. CH=1.00mm BH=3.70mm. Hybrid Type Packing (RoHS)		
THESE DRAWING AND SPECIFICATION ARE THE PROPERTY OF Shenzhen Dongfangyue ELECTRONIC CO., LTD.. SHALL NOT BE REPRODUCED.	CHECKED: CHENLEI	2017/09/10	PART NO: EAST-DPM20100A1R		
	APPROVED: QINKAIXING	2017/09/10	UNIT: mm	SCALE: N/A	SHEET: 1:1