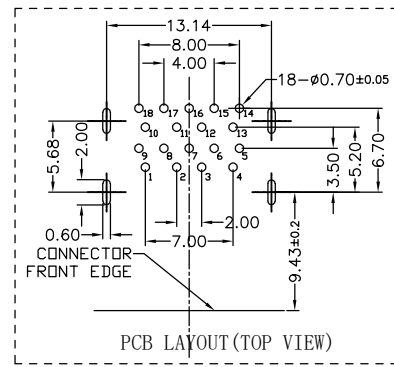
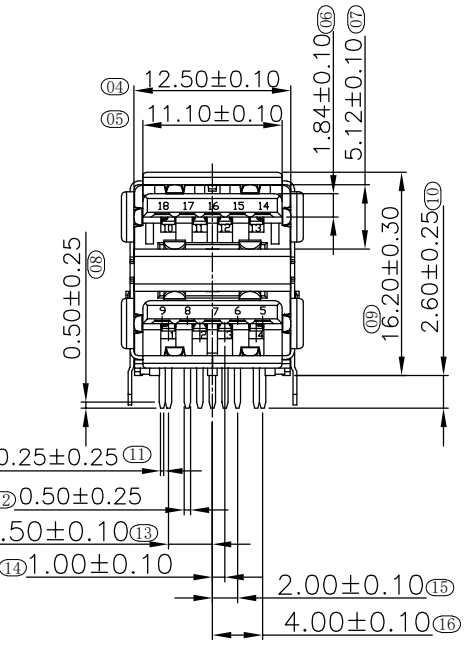
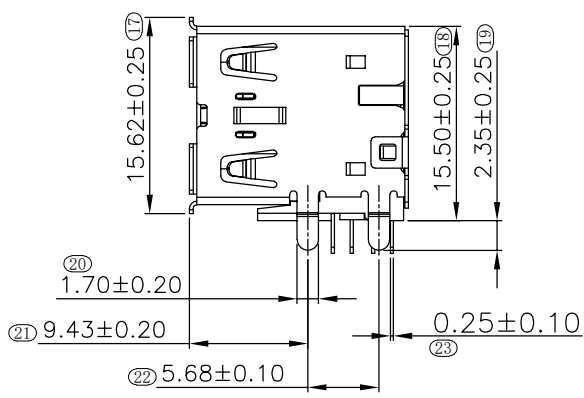
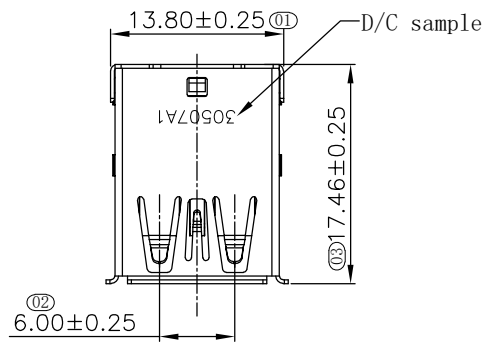


REV.	ECN NO.	MODIFY MATTER	DATE	APPROVED
A		RELEASE TO PRODUCTION		



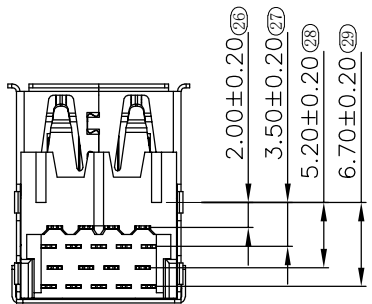
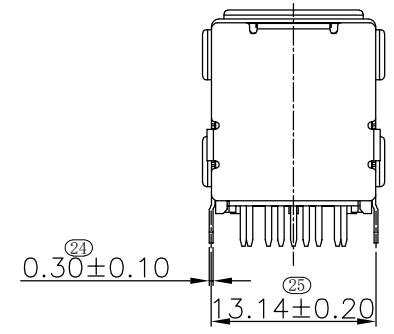
SPECIFICATIONS:

- Electrical Performance:
 - Contact current Rating:
 - 1.8 Amperes for VBUS and GND contacts.
 - 0.25 Amperes for all other contacts.
 - Dielectric Withstanding Voltage: AC 100V(RMS).
 - Insulation resistance: 100M ohms Min.
 - Contact Resistance:
 - 30m ohm Max for VBUS and GND contacts.
 - 50m ohm Max for all other contacts.
 - Voltage Rating : 30 Vac (rms).
- Mechanical Performance:
 - Mating Force: 35N Max.
 - Unmating Force: 10N Min; 8N Min After Durability.
 - DURABILITY: 1500 CYCLE.
- Environmental Performance:
 - Temperature Range:
 - Operating Temperature: -25° to +85°.
 - Salt Spray 24h Min for contact gold, Matte Sn 8h.
- MATERIAL:
 - Housing & Cover: PA9T, Blue, UL94-V0.
 - Contact: 2.0 phosphor bronze.
 - 3.0 brass.
 - Shell: Brass. Mid and Cover: sus304
- PLATING:
 - Contact: (SEE TABLE) Au Plated on contact area
Fog Tin 100u"Min Plated on solder area
Nickel 80u"Min underplating over all.
 - Shell: Nickel 50u"Min Plated.
- "SHOWS FAI INSPECTION ITEMS.

EAST-USB3D34S-1BBER

- D: DIP
- S: SMT
- S: 铁壳镀镍
- C: 铜壳镀镍
- BK: 黑色
- BE: 蓝色300C
- P: PA66
- B: PBT
- L: PA9T
- 1: 半金1u"
- 8: 半金15u"

Pin Number	Signal Name	Pin Number	Signal Name
1	VBUS	10	VBUS
2	D-	11	D-
3	D+	12	D+
4	GND	13	GND
5	StdA_SSRX-	14	StdA_SSRX-
6	StdA_SSRX+	15	StdA_SSRX+
7	GND_DRAIN	16	GND_DRAIN
8	StdA_SSTX-	17	StdA_SSTX-
9	StdA_SSTX+	18	StdA_SSTX+
Shell	Shield		



TOLERANCES UNLESS OTHERWISE SPECIFIED: X. --- X.X ± 0.38 X.XX ± 0.25 X.XXX ± 0.10 Angle ± 1°	COSTOMER COPY	深圳市东方御业科技有限公司 WWW.DFYCONN.COM TEL:0755-27155560		
	DRAWN: CHENLEI	2017/09/10	TITL: USB 3.0 AF双层90度短体直脚	
THESE DRAWING AND SPECIFICATION ARE THE PROPERTY OF Shenzhen Dongfangyue ELECTRONIC CO., LTD. SHALL NOT BE REPRODUCED.	CHECKED: CHENLEI	2017/09/10	PART NO: EAST-USB3D34S-1BBER	
	APPROVED: QINKAIXING	2017/09/10	UNIT: mm	SCALE: N/A
			SHEEL: 1:1	REV.