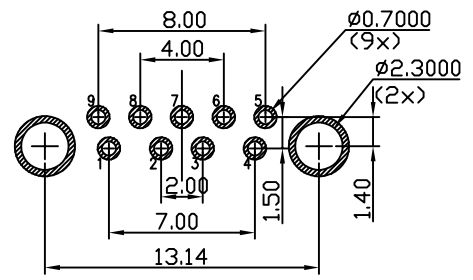
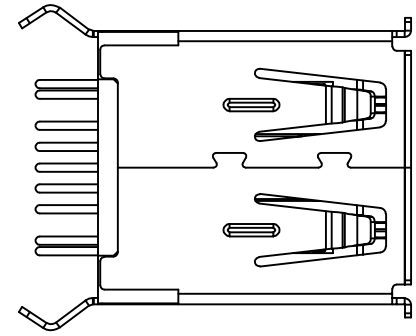
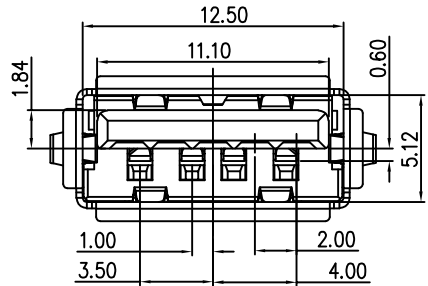
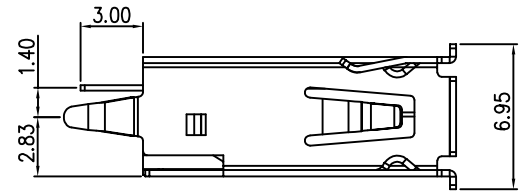
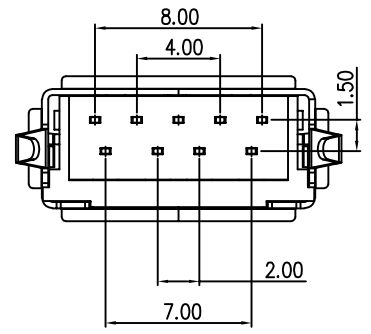
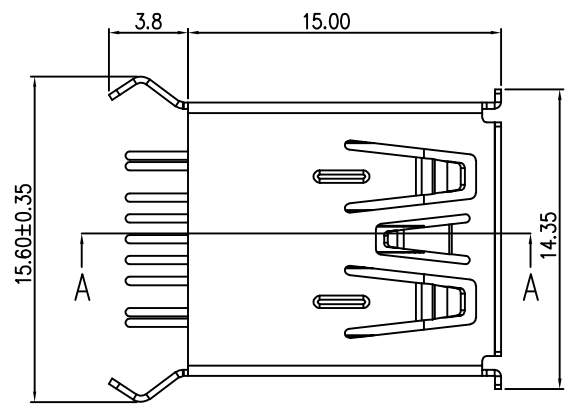
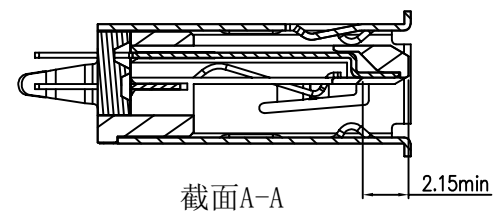


REV.	ECN NO.	MODIFY MATTER	DATE	APPROVED
A		RELEASE TO PRODUCTION		



REFERENCE PCB LAYOUT



截面A-A

Remark:  
 1.MATERIAL:  
 1.1 Housing:thermoplastic plastics.  
 1.2 terminals:Copper Alloy  
 1.3 Front Shell:Copper Alloy/SPCC.  
 2.characteristics:  
 2.1 Rating Voltage : 30V AC.  
 2.2 Rating Current:PIN1&PIN4(Vbus&Correponding ground PIN)  
 1.8A MAX Other PINS 0.25A min.  
 2.3 Contact Resistance:PIN1&PIN4:30 mΩ MAX. Other PINS: 50 mΩ  
 2.4 Insulation Resistance:100 MΩ MIN.  
 2.5 Withstanding Voltage:AC 100V between adjacent contacts  
 2.6 Mating force: 3.57Kgf MAX(35N MAX)  
 2.7 Extraction force:1Kgf Min(9.8N Min)  
 2.8 Life test:1500Cycles MIN.  
 2.9 Temperature Range: -30℃~+80℃.

EAST-USB3D66S-1BBER

- D: DIP
- S: SMT
- S: 不锈钢
- C: 铜壳镀镍
- BK: 黑色
- BE: 蓝色
- P: PA66
- B: PBT
- L: LCP
- 1: 半金1u"
- 8: 半金15u"

TOLERANCES UNLESS OTHERWISE SPECIFIED: X. --- X.X ± 0.38 X.XX ± 0.25 X.XXX ± 0.10 Angle ±1°	COSTOMER COPY	深圳市东方御业科技有限公司 WWW.DFYCONN.COM TEL:0755-27155560		
	DRAWN: CHENLEI	2017/09/10	TITAL:	USB 3.0 AF 180度
THESE DRAWING AND SPECIFICATION ARE THE PROPERTY OF Shenzhen Dongfangyue ELECTRONIC CO., LTD.. SHALL NOT BE REPRODUCED.	CHECKED: CHENLEI	2017/09/10	PART NO:	EAST-USB3D66S-1BEKR
	APPROVED: QINKAIXING	2017/09/10	UNIT: mm	SCALE: N/A SHEEL: 1:1 REV.