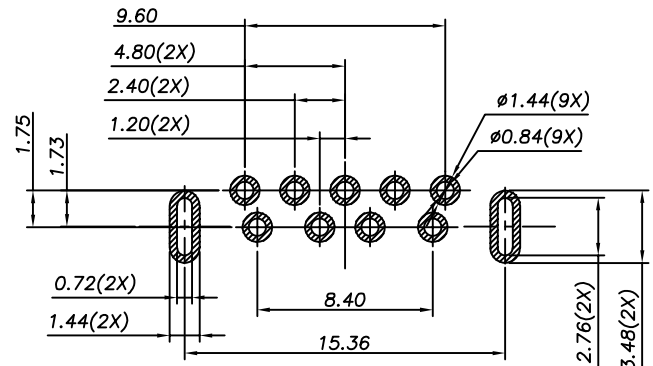
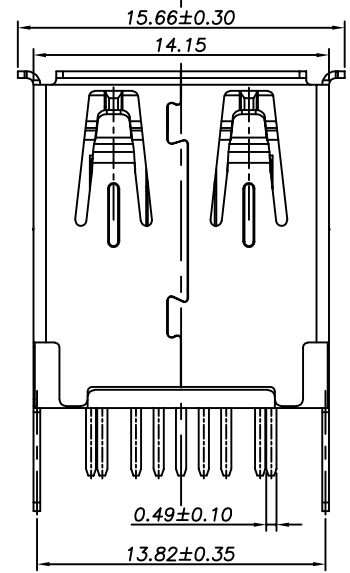
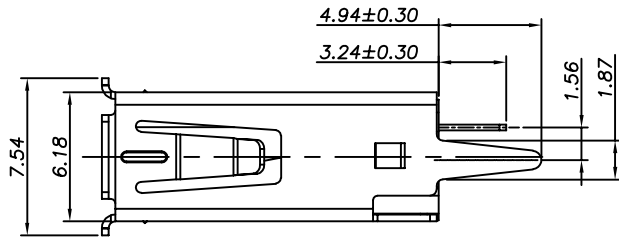
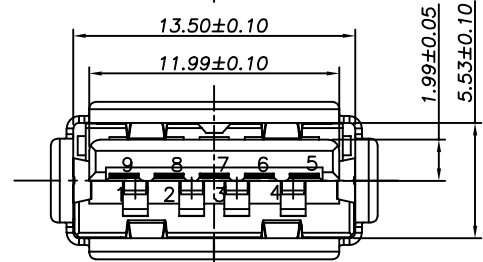
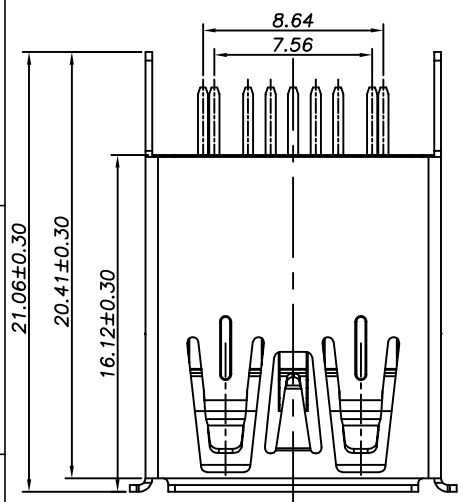
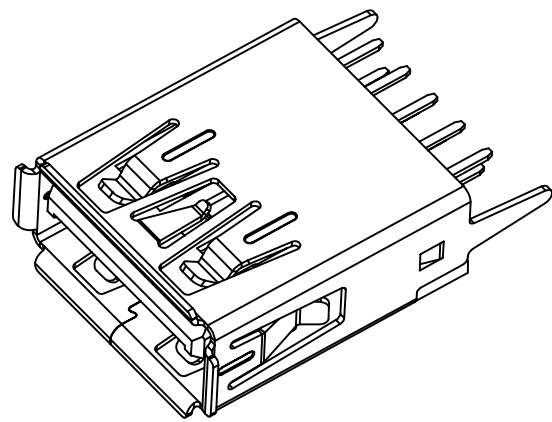


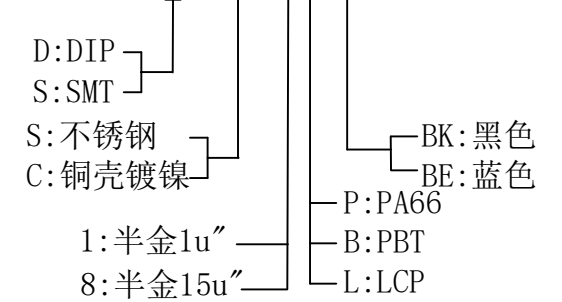
REV.	ECN NO.	MODIFY MATTER	DATE	APPROVED
A		RELEASE TO PRODUCTION		



RECOMMENDED PCB LAYOUT(TOP VIEW)
DEFAULT TOLERANCE:±0.05

Remark:
1.MATERIAL:
 1.1 Housing:thermoplastic plastics.
 1.2 terminals:Copper Alloy
 1.3 Front Shell:Copper Alloy/SPCC.
2.characteristics:
 2.1 Rating Voltage : 30V AC.
 2.2 Rating Current:PIN1&PIN4(Vbus&Correponding ground PIN)
 1.8A MAX Other PINS 0.25A min.
 2.3 Contact Resistance:PIN1&PIN4:30 mΩ MAX. Other PINS: 50 mΩ
 2.4 Insulation Resistance:100 MΩ MIN.
 2.5 Withstanding Voltage:AC 100V between adjacent contacts
 2.6 Mating force: 3.57Kgf MAX(35N MAX)
 2.7 Extraction force:1Kgf Min(9.8N Min)
 2.8 Life test:1500Cycles MIN.
 2.9 Temperature Range: -30℃~+80℃.

EAST-USB3D67S-1BBER

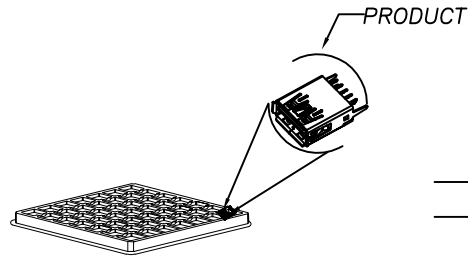


USB 3.0 PIN ASSIGNMENTS

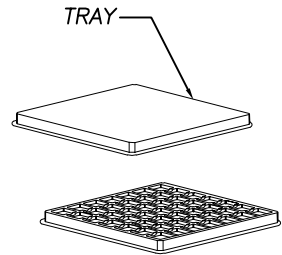
Pin #	SIGNAL NAME	DESCRIPTION	MATING SEQUENCE
1	VBUS	POWER	SECOND
2	D-	USB 2.0 DIFFERENTIAL PAIR	THIRD
3	D+		
4	GND	GROUND FOR POWER RETURN	SECOND
5	StdA_SSRX-	SUPERSPEED RECEIVER DIFFERENTIAL PAIR	LAST
6	StdA_SSRX+		
7	GND_DRAIN	GROUND FOR SIGNAL RETURN	
8	StdA_SSTX-	SUPERSPEED TRANSMITTER DIFFERENTIAL PAIR	
9	StdA_SSTX+		
Shell	Shield	CONNECTOR METAL SHELL	FRIST

TOLERANCES UNLESS OTHERWISE SPECIFIED: X. --- X.X ± 0.38 X.XX ± 0.25 X.XXX ± 0.10 Angle ±1°		CUSTOMER COPY	深圳市东方御业科技有限公司 WWW.DFYCONN.COM TEL: 0755-27155560		
THESE DRAWING AND SPECIFICATION ARE THE PROPERTY OF Shenzhen Dongfangyue ELECTRONIC CO., LTD.. SHALL NOT BE REPRODUCED.		DRAWN: CHENLEI	2017/09/10	TITL: USB 3.0 AF 180度	
		CHECKED: CHENLEI	2017/09/10	PART NO: (RoHS)	
		APPROVED: QINKAIXING	2017/09/10	EAST-USB3D67S-1BEKR	
		UNIT: mm	SCALE: N/A	SHEEL: 1:1	REV.

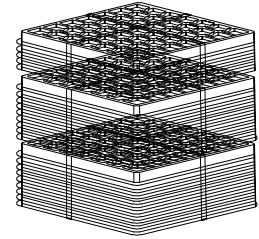
REV.	ECN NO.	MODIFY	MATTER	DATE	APPROVED
A		RELEASE TO PRODUCTION			



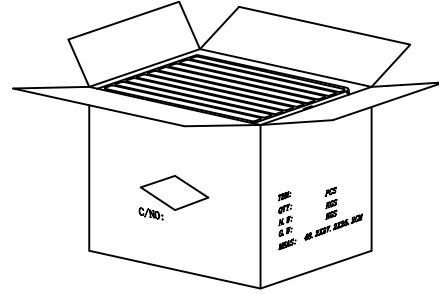
① TRAY(1PCS).100Pcs/TRAY



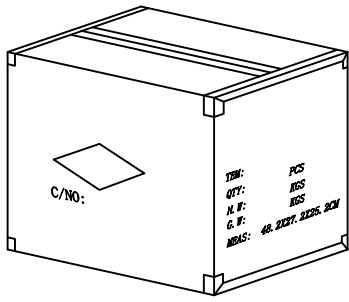
②



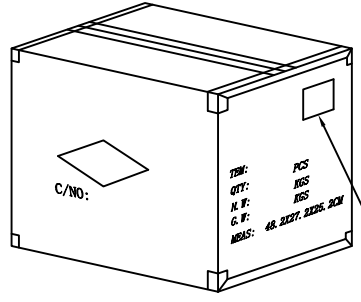
③



④



⑤



⑥

LABEL

	REEL/TRAY	CARTON
CONNECTOR (PCS)	100	5000

TOLERANCES UNLESS OTHERWISE SPECIFIED: X. --- X.X ± 0.38 X.XX ± 0.25 X.XXX ± 0.10 Angle ±1°	CUSTOMER COPY	深圳市东方御业科技有限公司 WWW.DFYCONN.COM TEL: 0755-27155560		
	DRAWN: CHENLEI	2017/09/10	TITIAL: USB 3.0 AF 180度 (RoHS)	
	CHECKED: CHENLEI	2017/09/10	PART NO: EAST-USB3D67S-1BEKR	
	APPROVED: QINKAIXING	2017/09/10	UNIT: mm 	SCALE: N/A SHEEL: 1:1 REV.

8 7 6 5 4 3 2 1

8 7 6 5 4 3 2 1