

REV.	ECN NO.	MODIFY MATTER	DATE	APPROVED
A		RELEASE TO PRODUCTION	2017/09/10	Mike

NOTES

- MATERIAL:**
 Housing:PBT, UL 94V-0, Color:Black.
 Terminal:Copper Alloy.
 Shell:SPCC.
 Boardlock:Copper Alloy.
 Bracket:Zinc Alloy.
 Screw:Copper Alloy.
- FINISH:**
 Terminal:Gold Plated over Nickel at Contact Area.
 Tin Plated over Nickel at Solder Ared.
 Shell:Nickel Plated.
 Boardlock:Tin Plated.
 Bracket:Nickel Plated.
 Screw:Nickel Plated.
- This Product is LEAD-FREE & RoHS Compliance Product.

SPECIFICATIONS

- D-SUB
 1.1 Voltage: 250 VAC(RMS) Max.
 1.2 Current Rating: 3 Ampere per Contact
 1.3 Contact Resistance: 25 Milliohms Max.
 1.4 Insulation Resistance: 5000 Megohms Min.
 1.5 Dielectric Withstanding Voltage: 1000 VAC(RMS)
 1.6 Total Mating Force: 6.0 Kgf Max.
 1.7 Total Unmating Force: 1.2 Kgf Min.
 1.8 Operating Temperature: -55°C to +85°C

EAST-DPHDP2A11AH

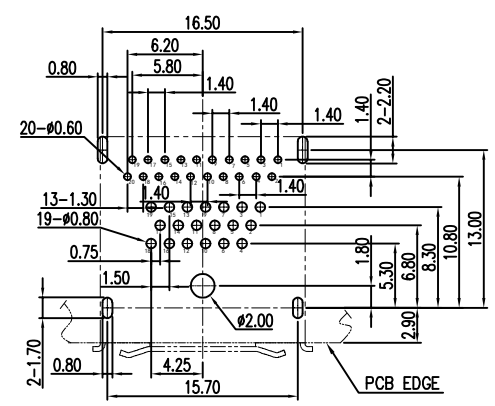
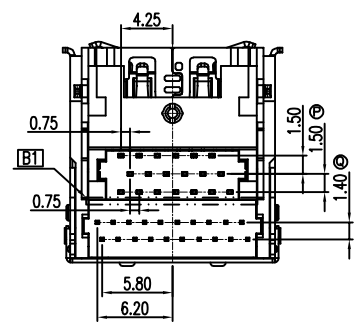
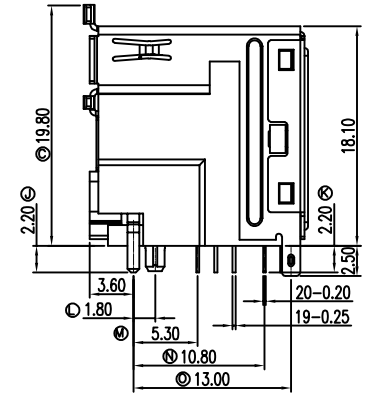
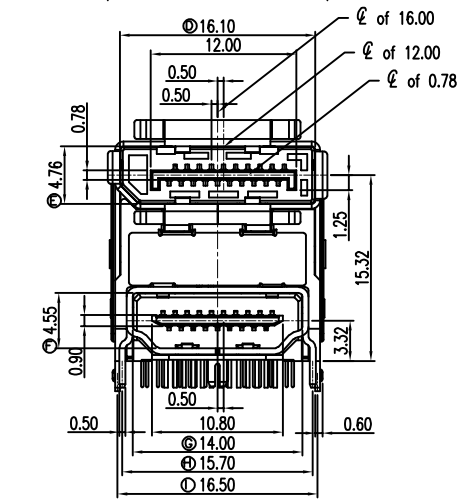
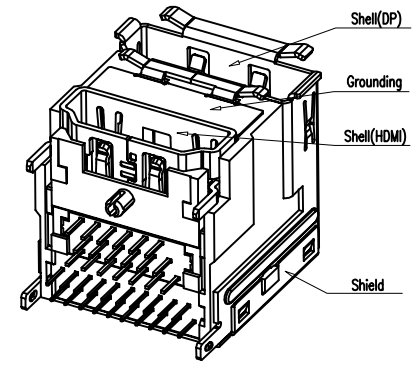
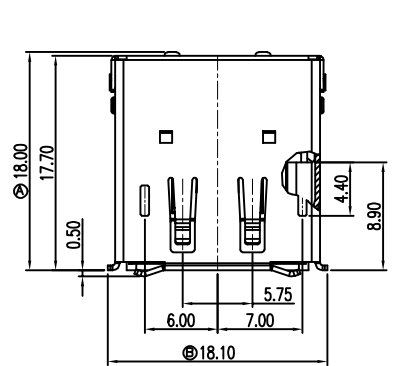
TOP CONNECTOR TYPE
 DP: DISPLAYPORT 20-POS. FEMALE

BOTTOM CONNECTOR TYPE
 HD: HDMI 19-POS. FEMALE

H: IT'S COMPLIANT WITH RoHS & HALOGEN-FREE

INSULATOR MATERIALS
 A: UPPER-PBT, LOWER-LCP

COLOR STYLE
 1: ALL BLACK



RECOMMENDED P.C.B. LAYOUT
 THICKNESS=1.6±0.10mm

TOLERANCES UNLESS OTHERWISE SPECIFIED: X. --- X.X ± 0.38 X.XX ± 0.25 X.XXX ± 0.20 Angle ± 3°	COSTOMER COPY	深圳市东方御业科技有限公司 WWW.DFYCONN.COM TEL:0755-27155560		
	DRAWN: Qinkx	2017/09/10	TITIAL: DISPLAYPORT AND HDMI COMBO RECPTACLE DIP TYPE CONNECTOR	
THESE DRAWING AND SPECIFICATION ARE THE PROPERTY OF Shenzhen Dongfangyue ELECTRONIC CO., LTD., SHALL NOT BE REPRODUCED.	CHECKED: Chenl	2017/09/10	PART NO: EAST-DPHDP2A11AH	DRAWING NO: (RoHS)
	APPROVED: Chenl	2017/09/10	UNIT: mm	SCALE: N/A SHEEL: 1/1 REV: A

DO NOT SCALE PRINT

REV.	ECN NO.	MODIFY MATTER	DATE	APPROVED
A		RELEASE TO PRODUCTION		

HDMI Connector Pin Assignment

PIN	SIGNAL ASSIGNMENT	PIN	SIGNAL ASSIGNMENT
1	TMDS Data2+	11	TMDS Clock Shield
2	TMDS Data2 Shield	12	TMDS Clock-
3	TMDS Data2-	13	CEC
4	TMDS Data+	14	Reserved (N.C. on device)
5	TMDS Data1 Shield	15	SCL
6	TMDS Data1-	16	SDA
7	TMDS Data0+	17	DDC/CEC Ground
8	TMDS Data0 Shield	18	+5V Power
9	TMDS Data0-	19	Hot Plug Detect
10	TMDS Clock+		

DisplayPort Connector Pin Assignment

Pin Number	Signal Type	Pin Name	Mating Row Contact Location
1	Out	ML_Lane0 (p)	Top
2	GND	GND	Bottom
3	Out	ML_Lane0 (n)	Top
4	Out	ML_Lane1 (p)	Bottom
5	GND	GND	Top
6	Out	ML_Lane1 (n)	Bottom
7	Out	ML_Lane2 (p)	Top
8	GND	GND	Bottom
9	Out	ML_Lane2 (n)	Top
10	Out	ML_Lane3 (p)	Bottom
11	GND	GND	Top
12	Out	ML_Lane3 (n)	Bottom
13	CONFIG	CONFIG1	Top
14	CONFIG	CONFIG2	Bottom
15	I/O	AUX CH(p)	Top
16	GND	GND	Bottom
17	I/O	AUX CH(n)	Top
18	In	Hot Plug Detect	Bottom
19	RTN	Return	Top
20	PWR Out	DP_PWR	Bottom

TOLERANCES UNLESS OTHERWISE SPECIFIED: X. _____ X.X ± 0.38 X.XX ± 0.25 X.XXX ± 0.20 Angle ± 3°	CUSTOMER COPY 深圳市东方御业科技有限公司 WWW.DFYCONN.COM TEL:0755-27155560	
	DRAWN: Qinkx	2017/09/10
	CHECKED: Chenl	2017/09/10
	APPROVED: Chenl	2017/09/10
THESE DRAWING AND SPECIFICATION ARE THE PROPERTY OF Shenzhen Dongfangyue ELECTRONIC CO., LTD.. SHALL NOT BE REPRODUCED.	TITIAL: DISPLAYPORT AND HDMI COMBO RECPACLE DIP TYPE CONNECTOR (RoHS)	
	PART NO: EAST-DPHDP2A11AH	DRAWING NO:
UNIT: mm		SCALE: N/A
	SHEEL: 1/1	REV. A

DO NOT SCALE PRINT