

REV.	ECN NO.	MODIFY MATTER	DATE	APPROVED
A		RELEASE TO PRODUCTION		

NOTES:

1.MATERIAL SPECIFICATION

- 1-1.HOUSING: LCP+30% G.F BLACK UL94 V-0.
- 1-2.CONTACT: BRASS(C2680R-H) T=0.20mm.
- 1-3.SHELL: S50C OR C2680 T=0.40mm.

2.PLATING SPECIFICATION

- 2-1.CONTACT: NI50u" UNDER PLATED,GOLD FLASH PLATED ON THE FUNCTIONAL AREA OF CONTACT,GOLD PLATING OR TIN ON SOLDER AREA.
- 2-2.SHELL: NICKEL PLATED.

3.MECHANICAL PERFORMANCE

- 3-1.INSERTION FORCE: 44.1N (4.5 KGF) MAX.
- 3-2.WITHDRAWAL FORCE: 4.9N~25N(0.5KGF~2.5KGF).
- 3-3.DURABILITY: 5000 CYCLES.

4.ELECTRICAL PERFORMANCE

- 4-1.CURRENT RATING: 0.5A.
- 4-2.LLCR: CONTACT: 30 mΩ MAX(INITIAL), SHELL: 50 mΩ MAX(INITIAL).
- 4-3.INSULATION RESISTANCE:
A:UNMATED: 100 MΩ MIN. AT 500V DC.
B:MATED: 10 MΩ MIN. AT 150V DC.
- 4-4.DIELECTRIC WITHSTAND VOLTAGE:
150V AC/60S(MATED), 250V AC/60S(UNMATED).

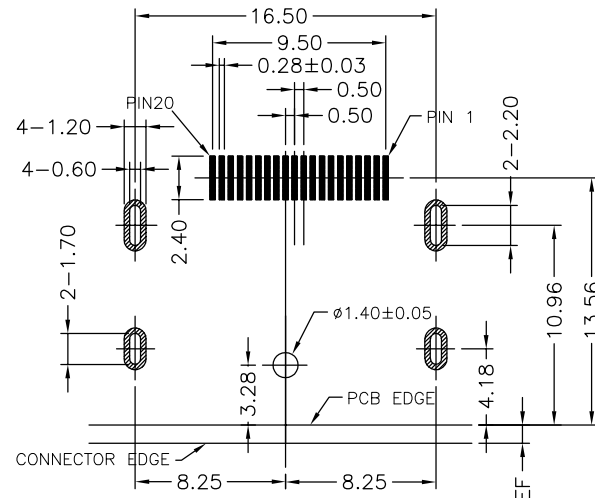
5.IR REFLOW:

THE PEAK TEMPERATURE ON BOARD SHALL BE MAINTAINED FOR 10 SECONDS AT 260±5°C.

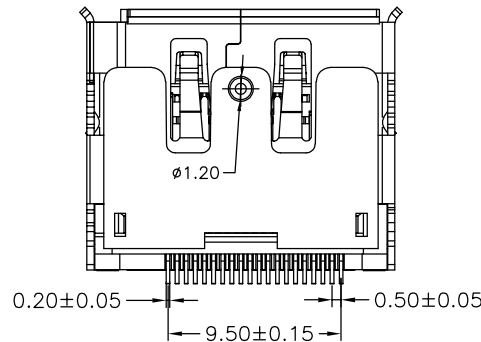
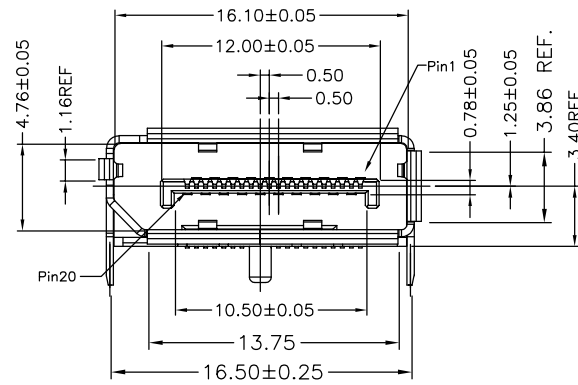
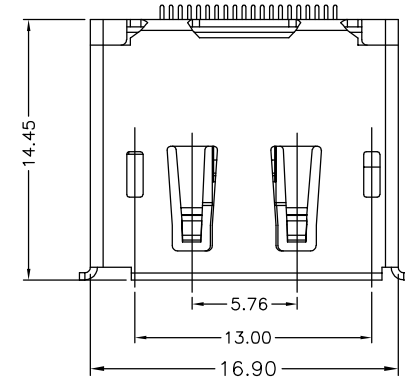
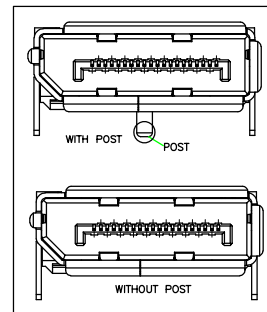
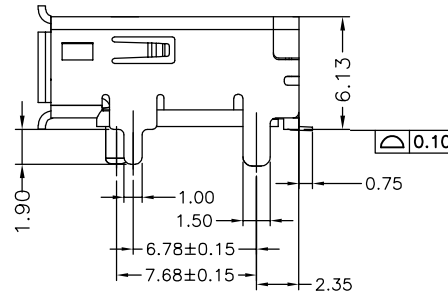
6.OPERATING TEMPERATURE RANGE: -25°C~85°C(WITHOUT LOSS FUNCTION).

7.RoHS COMPLIANT OR HALOGEN FREE COMPLIANT.

DisplayPort Connector Pin Assignment				
Pin Number	Signal Type	Pin Name	Mating Row Contact Location	
1	Out	ML_Lane0(p)	Top	Top
2	GND	GND	Bottom	Bottom
3	Out	ML_Lane0(n)	Top	Top
4	Out	ML_Lane1(p)	Bottom	Bottom
5	GND	GND	Top	Top
6	Out	ML_Lane1(n)	Bottom	Bottom
7	Out	ML_Lane2(p)	Top	Top
8	GND	GND	Bottom	Bottom
9	Out	ML_Lane2(n)	Top	Top
10	Out	ML_Lane3(p)	Bottom	Bottom
11	GND	GND	Top	Top
12	Out	ML_Lane3(n)	Bottom	Bottom
13	CONFIG	CONFIG1	Top	Top
14	CONFIG	CONFIG2	Bottom	Bottom
15	I/O	AUX CH(p)	Top	Top
16	GND	GND	Bottom	Bottom
17	I/O	AUX CH(n)	Top	Top
18	In	Hot Plug Detect	Bottom	Bottom
19	RTN	Return	Top	Top
20	PWR Out	DP_PWR	Bottom	Bottom



RECOMMENDED P.C.B LAYOUT(PCB THICKNESS: 1.6mm)
COMPONENT SIDE VIEW(TOLERANCE: ±0.05)



TOLERANCES UNLESS OTHERWISE SPECIFIED:	CUSTOMER COPY
X. ---	
X.X ± 0.38	
X.XX ± 0.25	
X.XXX ± 0.10	
Angle ±1°	

DRAWN:	2017/09/10
CHEMLEI	
CHECKED:	2017/09/10
CHEMLEI	
APPROVED:	2017/09/10
QINKAIXING	

深圳市东方御业科技有限公司
WWW.DFYCONN.COM TEL: 0755-27155560

TITLE: DISPLAY PORT 20PIN RECEPTACLE
SMT TYPE CH=3.3mm / BH=6.8mm (RoHS)

PART NO:	EAST-DP0110A0008
UNIT:	mm
SCALE:	N/A
SHEET:	1:1
REV.	

THESE DRAWING AND SPECIFICATION ARE THE PROPERTY OF Shenzhen Dongfangyue ELECTRONIC CO., LTD.. SHALL NOT BE REPRODUCED.