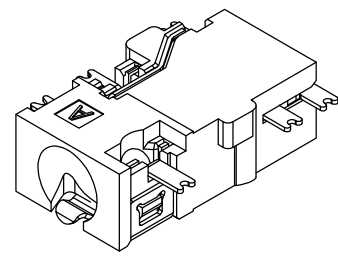
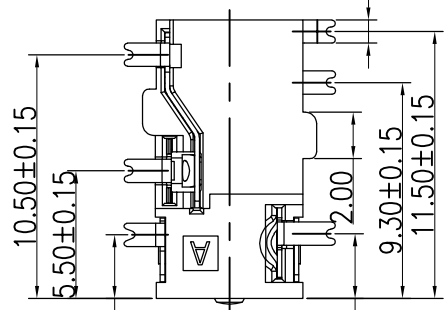
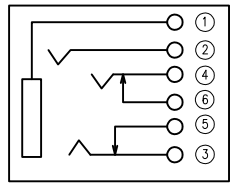


REV.	ECN NO.	MODIFY MATTER	DATE	APPROVED
A		RELEASE TO PRODUCTION		

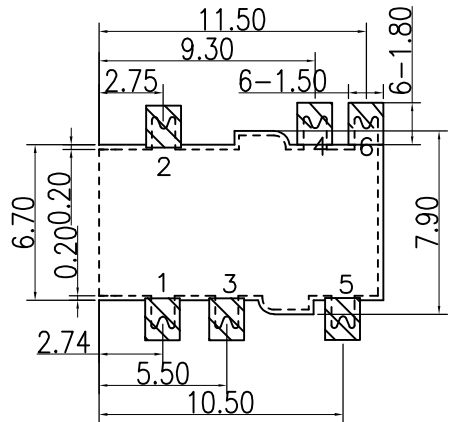
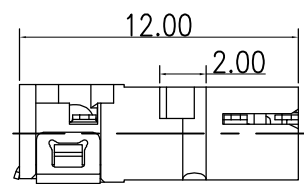
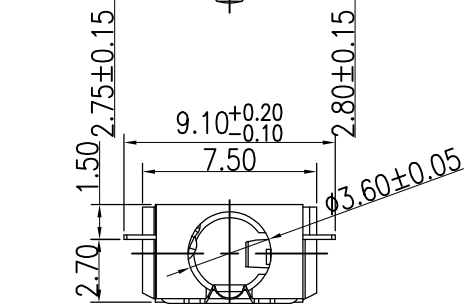


3D VIEW

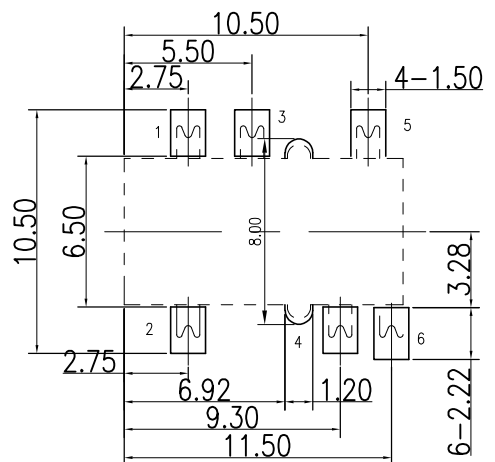


SCHEMATIC

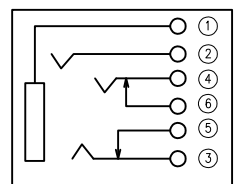
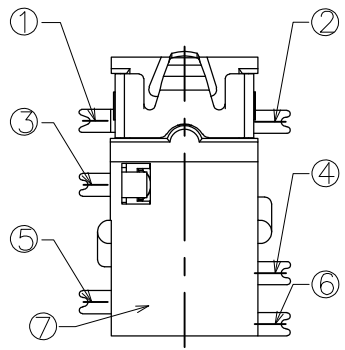
- NOTES:
- REQUEST OF THE SPECIFICATION:
 - CONTACT CURRENT RATING: 1A;
 - CONTACT RESISTANCE: 50 mΩ MAX.;
 - INSULATION RESISTANCE: 100MΩ MIN.;
 - DIELECTRIC WITHSTANDING: 500V AC MIN.;
 - DURABILITY: 5,000 CYCLES MIN.;
 - CONNECTOR MATING FORCES: 29.8N (3.00Kgf) MAX.;
 - CONNECTOR UNMATING FORCES: 2.98N(0.30Kgf) MIN.;



P.C.B. LAYOUT TOP VIEW 正贴



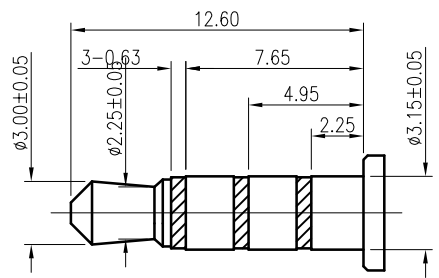
P.C.B. LAYOUT TOP VIEW 反贴



SCHEMATIC

EAST-2308B-06FB-APA

- B:BLACK
- P:PINK
- G:GREEN



(Ø3.50mm 4 POLE PLUG DETAIL DRAWING)

ITEM	PART NAME	Q'TY	MATERIAL	REMARK
⑦	HOUSING	1	PA9T COLOR BLACK	
⑥	CONTACT 6#	1	STAINLESS STEEL; NICKEL(40u"MIN.) UNDER PLATING OVERALL,GOLD FLASH PLATING ON SOLDER AREA	T=0.2
⑤	CONTACT 5#	1	STAINLESS STEEL; NICKEL(40u"MIN.) UNDER PLATING OVERALL,GOLD FLASH PLATING ON SOLDER AREA	T=0.2
④	CONTACT 4#	1	PHORPHOS BRONZE; NICKEL(40u"MIN.) UNDER PLATING OVERALL,GOLD FLASH PLATING ON SOLDER AREA ;GOLD FLASH PLATING ON CONTACT AREA	T=0.2
③	CONTACT 3#	1	STAINLESS STEEL; NICKEL(40u"MIN.) UNDER PLATING OVERALL,GOLD FLASH PLATING ON SOLDER AREA ;GOLD FLASH PLATING ON CONTACT AREA	T=0.2
②	CONTACT 2#	1	PHORPHOS BRONZE; NICKEL(40u"MIN.) UNDER PLATING OVERALL,GOLD FLASH PLATING ON SOLDER AREA ;GOLD FLASH PLATING ON CONTACT AREA	T=0.2
①	CONTACT 1#	1	STAINLESS STEEL; NICKEL (40u"MIN.) UNDER PLATING OVERALL,GOLD FLASH ON OVERALL	T=0.2

TOLERANCES UNLESS OTHERWISE SPECIFIED: X. X ± 0.38 X. XX ± 0.25 X. XXX ± 0.10 Angle ± 1°		CUSTOMER COPY	深圳市东方御业科技有限公司 WWW.DFYCONN.COM TEL:0755-27155560	
THESE DRAWING AND SPOIFICATION ARE THE PROPERTY OF Shenzhen Dongfangyue ELECTRONIC CO.,LTD. SHALL NOT BE REPRODUCED.	DRAWN: CHENLEI	2017/09/10	TITLE: 3.5mm AUDIO JACK SMT (RoHS)	
	CHECKED: CHENLEI	2017/09/10	PART NO: EAST-2308B-06FB-APA	
	APPROVED: QINKAIXING	2017/09/10	UNIT: mm	SCALE: N/A SHEEL: 1:1 REV.