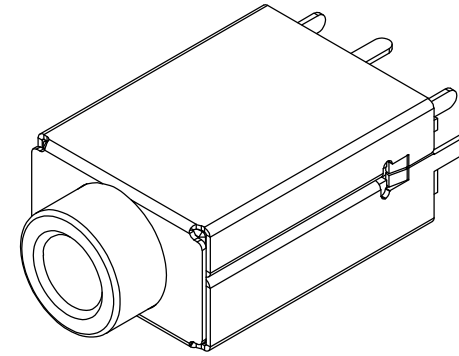
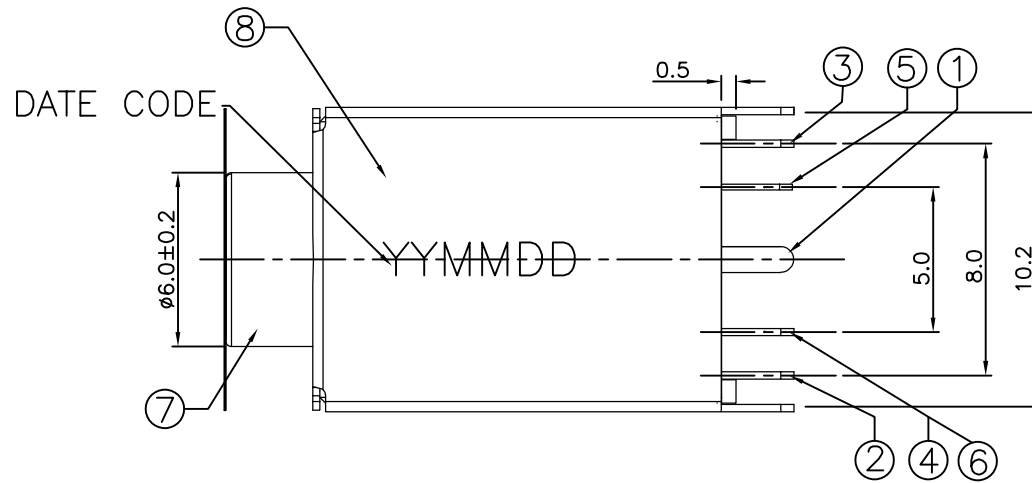
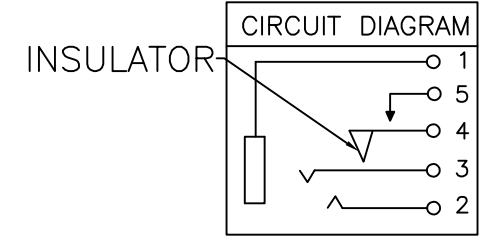
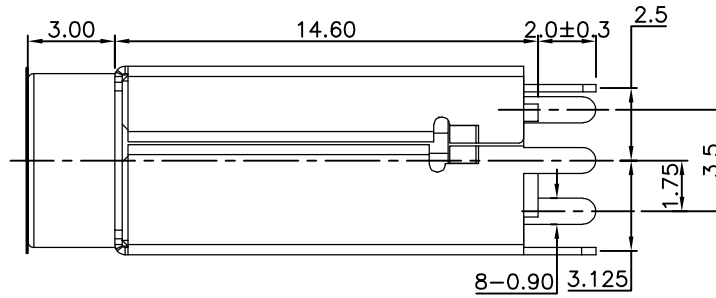
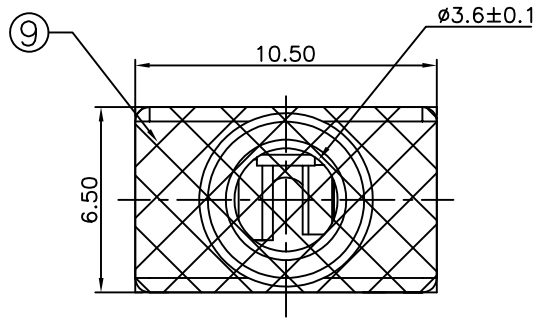
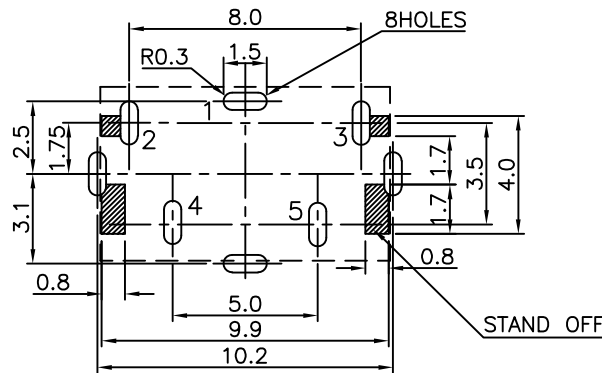


REV.	ECN NO.	MODIFY MATTER	DATE	APPROVED
A		RELEASE TO PRODUCTION		



EAST-D3011-X

- B:BLACK
- P:PINK
- G:GREEN



T:1.6 Dimensions of PC board holes
Tolerance : ±0.05(Printed-top view)

NO.	DESCRIPTION	QTY	MATERIAL	COLOR	REMARK
9	MYLAR	1	POLYIMIDE TAPE		
8	SHELL	1	SUS301		MB:Cu Ni PLATED
7	HOUSING	1	LCP	BLACK	UL-94V0
6	INSULATOR	1	PA10T	BLACK	UL-94V0
5	BREAK SPRING	1	C5191 t=0.25		MB:Ni Au PLATED
4	TRANSFER SPIRNG	1	C5191 t=0.20		MB:Ni Au PLATED
3	RING SPRING	1	C5191 t=0.25		MB:Ni Au PLATED
2	TIP SPRING	1	C5191 t=0.25		MB:Ni Au PLATED
1	EARTH SPRING	1	C5191 t=0.25		MB:Ni Au PLATED

TOLERANCES UNLESS OTHERWISE SPECIFIED: X. --- X.X ± 0.38 X.XX ± 0.25 X.XXX ± 0.10 Angle ± 1°		CUSTOMER COPY		深圳市东方御业科技有限公司 WWW.DFYCONN.COM TEL:0755-27155560	
DRAWN: CHENLEI		2017/09/10		TITLE: 3.5mm PHONE JACK (RoHS)	
CHECKED: CHENLEI		2017/09/10		PART NO: EAST-D3011-X	
APPROVED: QINKAIXING		2017/09/10		UNIT: mm	SCALE: N/A
THESE DRAWING AND SPECIFICATION ARE THE PROPERTY OF Shenzhen Dongfangyue ELECTRONIC CO., LTD. SHALL NOT BE REPRODUCED.				SHEET: 1:1	REV.