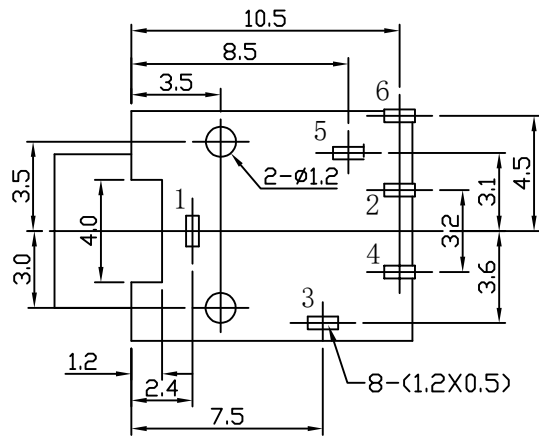


SPECIFICATION

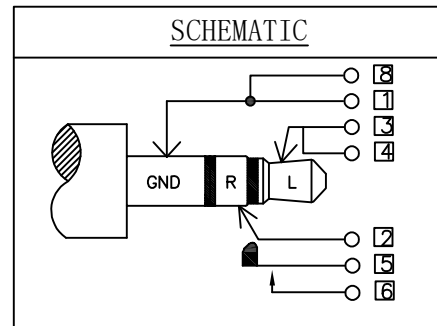
1. Rating : DC 30V 0.5A;
2. Contact resistance: $\leq 0.03 \Omega$;
3. Insulation resistance: $\geq 100M \Omega$ (DC250V);
4. Withstand voltage: 500VAC ;
5. Insertion and extraction force: 3-30N;
6. life test: 5,000 cycles.

EAST-2323B-06DX-UPA

B:BLACK
P:PINK
G:GREEN



P. C. B LAYOUT
TOP VIEW



NO.	DESCRIPTION	QTY	MATERIAL	PLATING
8	SHELL	1	SUS	
7	HOUSING	1	PA9T+30%GF, UL94 V-0	
6	CONTACT FOOT	1	PHOSPHOR BRONZE	Matte Sn-Plating
5	SPRING PIECE	1	PHOSPHOR BRONZE	Matte Sn-Plating
4	CURVE PIECE	1	PHOSPHOR BRONZE	Matte Sn-Plating
3	SPRING PIECE	1	PHOSPHOR BRONZE	Matte Sn-Plating
2	SPRING PIECE	1	PHOSPHOR BRONZE	Matte Sn-Plating
1	CONTACT FOOT	1	PHOSPHOR BRONZE	Matte Sn-Plating

TOLERANCES UNLESS OTHERWISE SPECIFIED: X. --- X. X ± 0.38 X. XX ± 0.25 X. XXX ± 0.10 Angle $\pm 1^\circ$		CUSTOMER COPY		深圳市东方御业科技有限公司 WWW.DFYCONN.COM TEL:0755-27155560	
DRAWN: CHENLEI		2017/09/10		TITLE: 3.5mm AUDIO JACK	
CHECKED: CHENLEI		2017/09/10		PART NO: EAST-2323B-06DX-UPA (RoHS)	
APPROVED: QINKAIXING		2017/09/10		UNIT: mm	SCALE: N/A
				SHEET: 1:1	REV.