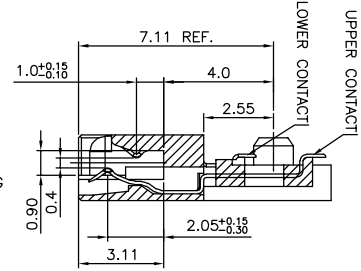
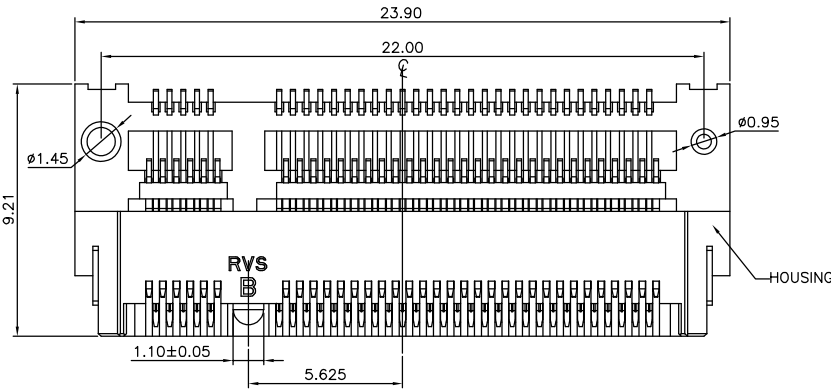


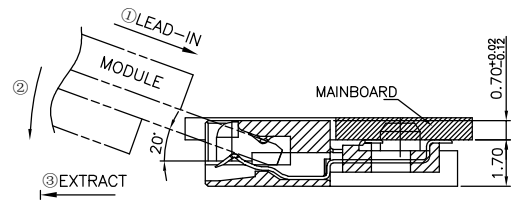
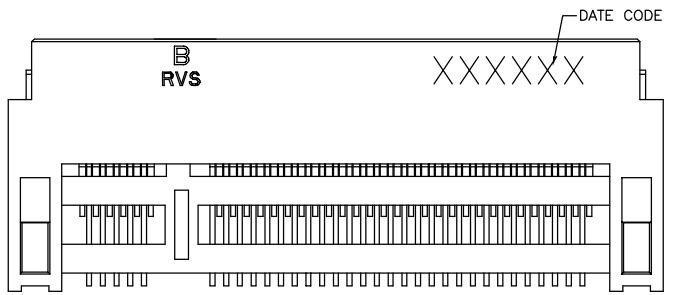
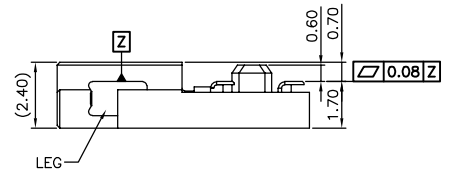
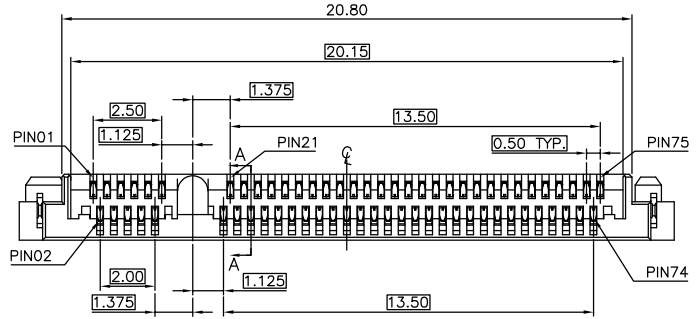
REV	LTR	DESCRIPTION	DATE	DWN
-----	-----	-------------	------	-----

- NOTES:
- MATERIAL SPECIFICATION
 - HOUSING: LCP+30% G.F UL94 V-0.
 - CONTACT: C5210-SH T=0.15mm.
 - LEG: C2680-EH T=0.20mm.
 - PLATING SPECIFICATION
 - CONTACT: NI50μ" UNDER PLATED, GOLD FLASH PLATED ON THE FUNCTIONAL AREA OF CONTACT, GOLD PLATING OR TIN ON SOLDER AREA.
 - LEG: MATTE TIN 50μ" MIN. OVER ALL, NICKEL 50μ" MIN. UNDERPLATED.
 - MECHANICAL PERFORMANCE
 - INSERTION FORCE: 20N MAX.
 - WITHDRAWAL FORCE: 20N MAX.
 - DURABILITY: 60 CYCLES.
 - VIBRATION:
 - NO ELECTRICAL DISCONTINUITY GREATER THAN 1u SEC. SHALL OCCUR;
 - MECHANICAL SHOCK: 285G HALF SINE/6 AXIS. NO ELECTRICAL DISCONTINUITY GREATER THAN 1u SEC. SHALL OCCUR;
 - ELECTRICAL PERFORMANCE
 - CURRENT RATING: 0.5A (PER PIN).
 - CURRENT RATING: 50V AC (PER PIN).
 - LLCR: CONTACT: 55mΩ MAX(INITIAL), 20mΩ MAX. CHANGE ALLOWED(FINAL).
 - INSULATION RESISTANCE: 5000MΩ MIN. AT 500V DC.
 - DIELECTRIC WITHSTAND VOLTAGE: 300V AC/60S.
 - IR REFLOW:

THE PEAK TEMPERATURE ON BOARD SHALL BE MAINTAINED FOR 10 SECONDS AT 260±5°C.
 - OPERATING TEMPERATURE RANGE: -40°C~85°C(WITHOUT LOSS FUNCTION).
 - RoHS COMPLIANT OR HALOGEN FREE COMPLIANT.



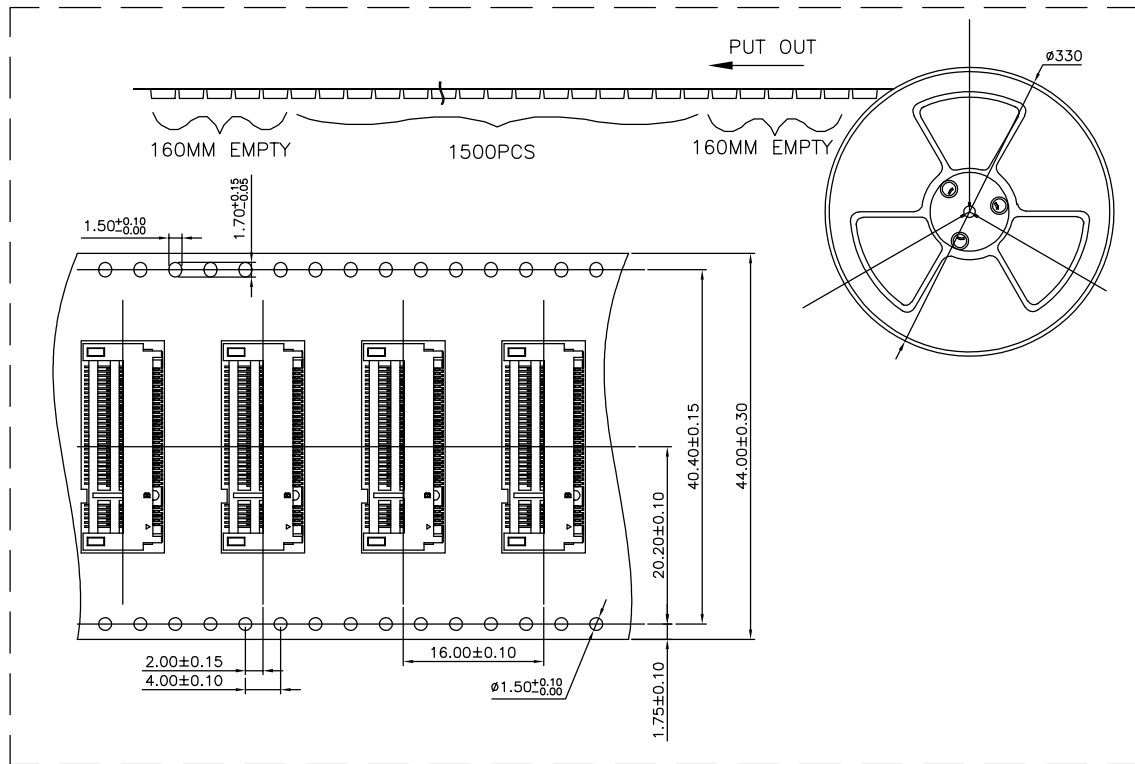
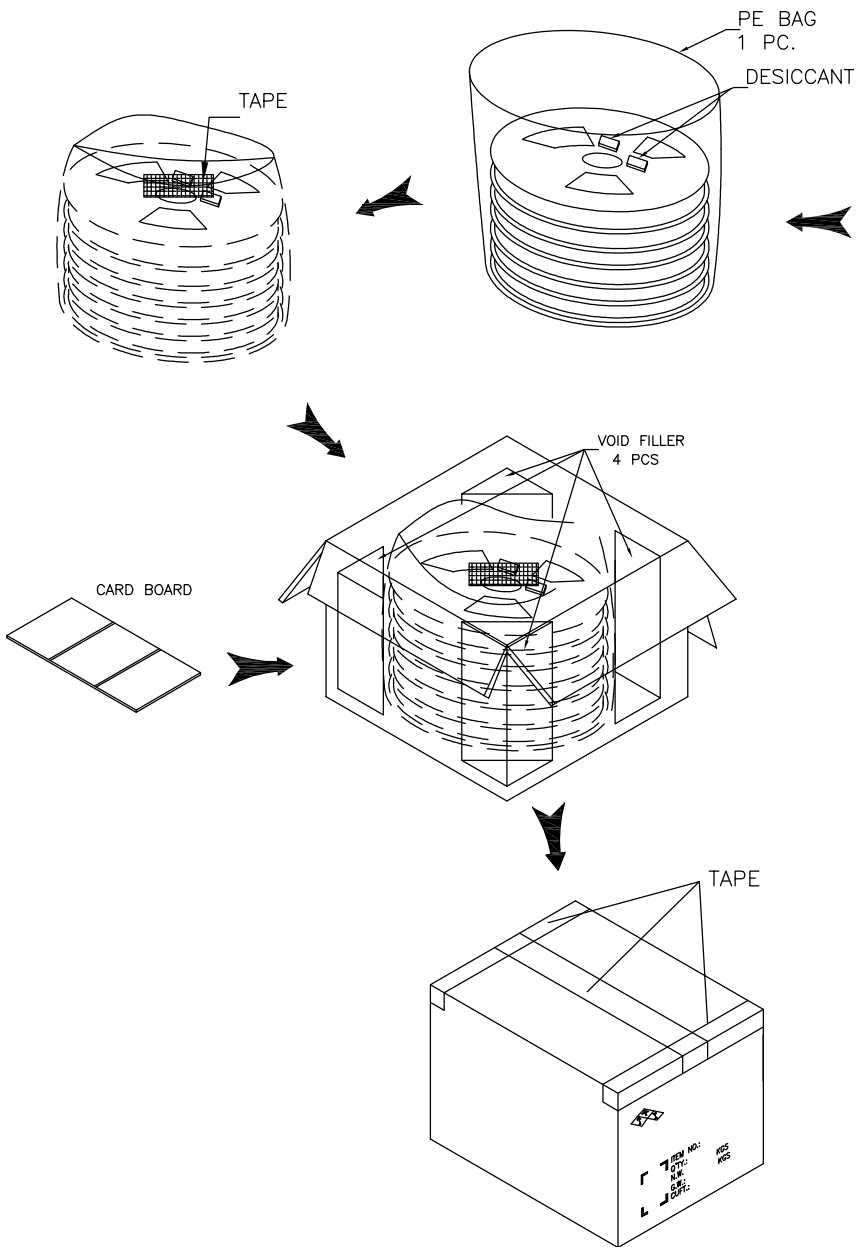
SECTION A-A



HOW TO MATE AND UNMATE
 MATE: ①-②
 UNMATE: ③

TOLERANCE		深圳市东方御业科技有限公司		TITLE: NGFF SOCKET (M.2 CONNECTOR) 0.50mm PITCH, MID-MOUNT 1.8H, RVS. B-KEY. DUAL-SMT TYPE PACKING			
LINEAR	ANGLES	WWW.DFYCONN.COM TEL:0755-27155560		PART NO. : _____			
X ± 0.50	X° ± 2.0°			DWG NO. : EAST-HN02101B007			
.X ± 0.38	.X° ± 1.0°	APPD: _____	DRWN: Rocky	UNITS	SCALE	SHEET	REV
.XX ± 0.25	.XX° ±	CHKD: _____	DATE: 2014-04-29	MM	1:1	1 OF 3	A/0
.XXX ± 0.15	.XXX° ±						

REV	LTR	DESCRIPTION	DATE	DWN
-----	-----	-------------	------	-----



- NOTES:
1. PEEL OFF FORCE OF TOP TAPE: 0.1~1.3N;
 2. 1500 PCS/REEL, 10500 PCS/CARTON;
 3. CARTON SIZE: 350*350*380MM.K=K.

TOLERANCE		深圳市东方御业科技有限公司 WWW.DFYCONN.COM TEL:0755-27155560		TITLE: NGFF SOCKET (M.2 CONNECTOR) 0.50mm PITCH, MID-MOUNT 1.8H, RVS. B-KEY. DUAL-SMT TYPE PACKING			
LINEAR	ANGLES			PART NO.:		UNITS	SCALE
X. ± 0.50	X° ± 2.0°	APPD: _____ CHKD: _____		DWG NO.: EAST-HN02101B007			
.X ± 0.38	.X° ± 1.0°			MM	1:1	1 OF 3	A/0
.XX ± 0.25	.XX° ±			DATE: 2014-04-29			
.XXX ± 0.15	.XXX° ±						