

REV	LTR	DESCRIPTION	DATE	DWN
-----	-----	-------------	------	-----

NOTES:

1.MATERIAL SPECIFICATION

- 1-1.HOUSING: LCP+30% G.F UL94 V-0.
- 1-2.CONTACT: C5210-SH T=0.15mm.
- 1-3.LEG: C2680-EH T=0.20mm.

2.PLATING SPECIFICATION

- 2-1.CONTACT: NI50u" UNDER PLATED,GOLD FLASH PLATED ON THE FUNCTIONAL AREA OF CONTACT,GOLD PLATING OR TIN ON SOLDER AREA.
- 2-2.LEG: MATTE TIN 50u" MIN. OVER ALL, NICKEL 50u" MIN. UNDERPLATED.

3.MECHANICAL PERFORMANCE

- 3-1.INSERTION FORCE: 20N MAX.
- 3-2.WITHDRAWAL FORCE: 20N MAX.
- 3-3.DURABILITY: 60 CYCLES.
- 3-4.VIBRATION: NO ELECTRICAL DISCONTINUITY GREATER THAN 1u SEC. SHALL OCCUR;
- 3-5.MECHANICAL SHOCK: 285G HALF SINE/6 AXIS. NO ELECTRICAL DISCONTINUITY GREATER THAN 1u SEC. SHALL OCCUR;

4.ELECTRICAL PERFORMANCE

- 4-1.CURRENT RATING: 0.5A (PER PIN).
- 4-2.CURRENT RATING: 50V AC (PER PIN).
- 4-3.LLCC: CONTACT: 55mΩ MAX(INITIAL), 20mΩ MAX. CHANGE ALLOWED(FINAL).
- 4-4.INSULATION RESISTANCE: 5000MΩ MIN. AT 500V DC.
- 4-5.DIELECTRIC WITHSTAND VOLTAGE: 300V AC/60S.

5.IR REFLOW:

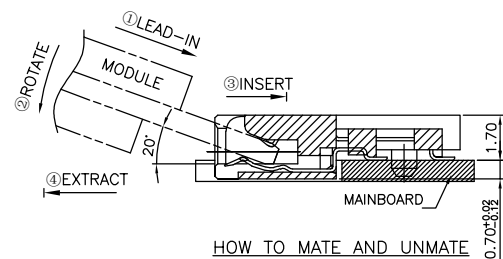
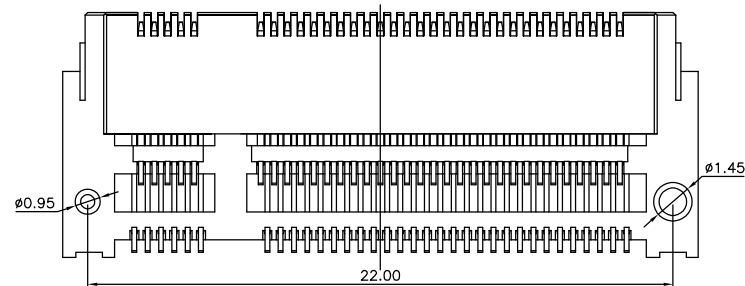
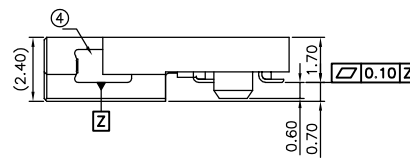
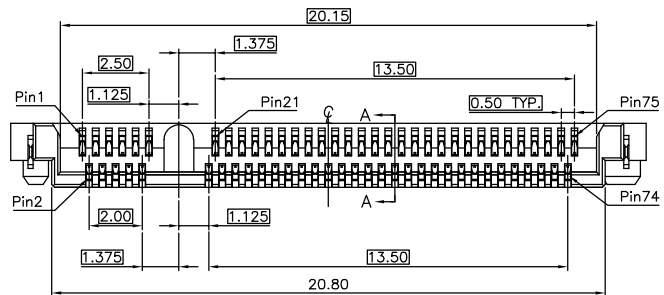
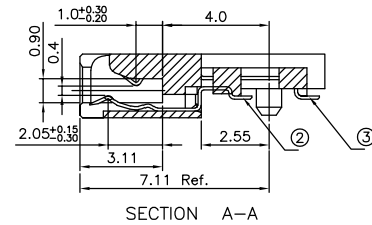
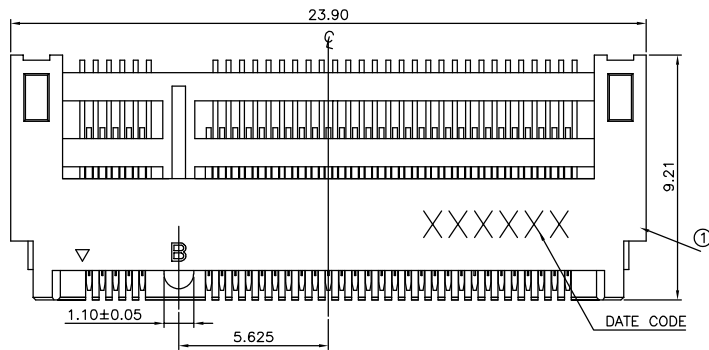
THE PEAK TEMPERATURE ON BOARD SHALL BE MAINTAINED FOR 10 SECONDS AT 260±5°C.

6.OPERATING TEMPERATURE RANGE: -40°C~85°C(WITHOUT LOSS FUNCTION).

7.RoHS COMPLIANT OR HALOGEN FREE COMPLIANT.

Part Number: EAST-HN01101B00x
 Contact Plating Spec. Code:
 7: Gold Flash on Contact area, matte Tin 80μ" min. on Tails and 50μ" min. Nickel overall.
 9: Au 5μ" on Contact area, matte Tin 80μ" min. on Tails and 50μ" min. Nickel overall.
 A: Au 10μ" on Contact area, matte Tin 80μ" min. on Tails and 50μ" min. Nickel overall.

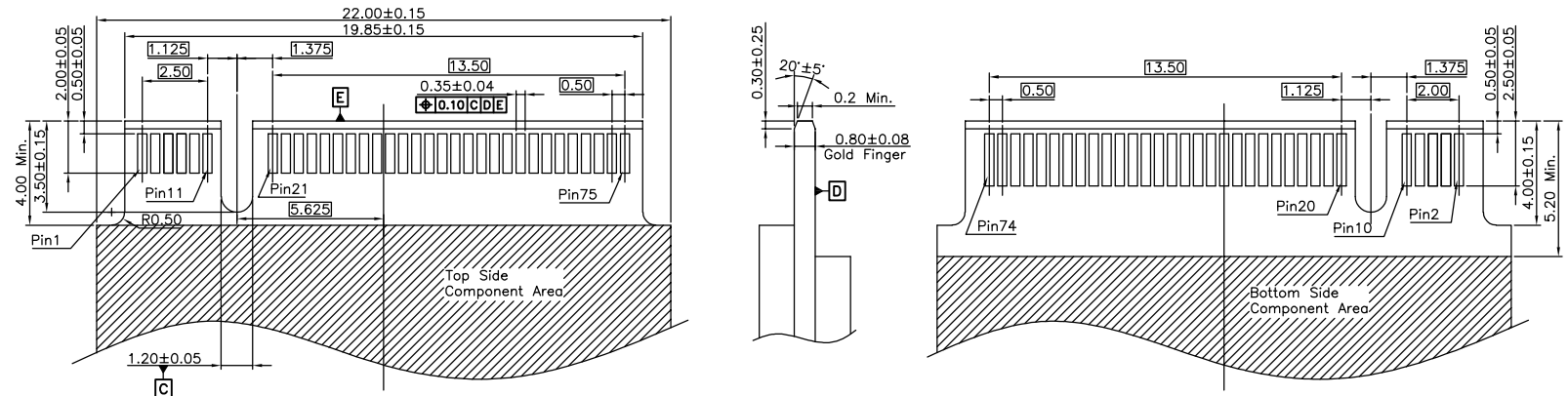
④	LEG
③	UPPER CONTACT
②	LOWER CONTACT
①	HOUSING
ITEM	PART DESCRIPTION



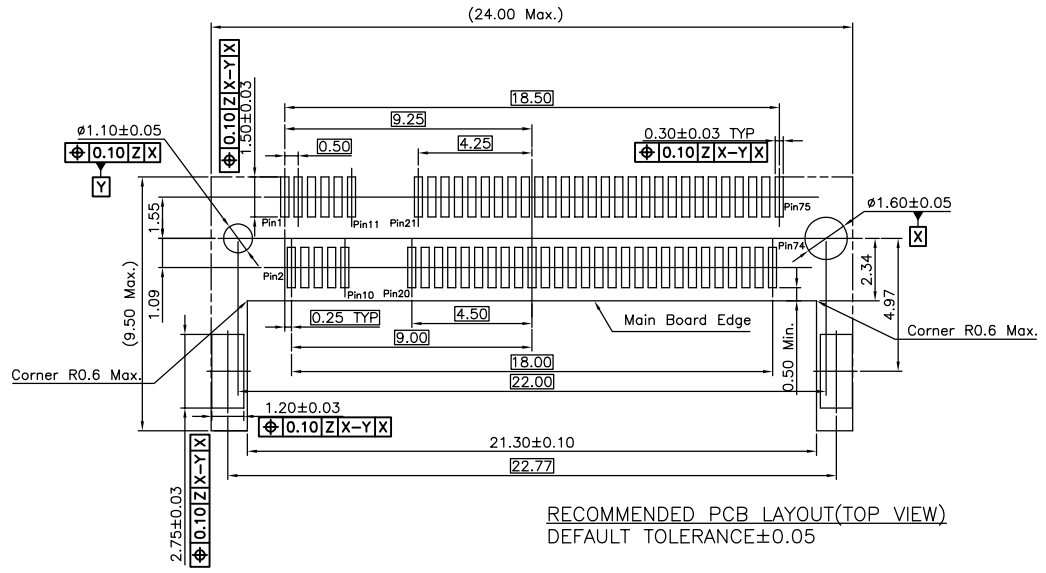
HOW TO MATE AND UNMATE
 MATE: ①-②-③
 UNMATE: ④

TOLERANCE		深圳市东方御业科技有限公司 WWW.DFYCONN.COM TEL:0755-27155560	TITLE: NGFF SOCKET (M.2 CONNECTOR) MID-PLANE H=1.8mm,CH=0.32mm. STD. B KEY.DUAL SMT TYPE					
LINEAR	ANGLES		PART NO.:					
X. ± 0.50	X° . ± 2.0°		DWG NO. : EAST-HN01101B007					
.XX ± 0.38	.X° ± 1.0°		APPD:	DRWN: Rocky	UNITS	SCALE	SHEET	REV
.XXX ± 0.25	.XX° ±		CHKD:	DATE: 2014-04-29	MM	1:1	1 OF 3	A/0
.XXX ± 0.15	.XXX° ±							

REV	LTR	DESCRIPTION	DATE	DWN
-----	-----	-------------	------	-----



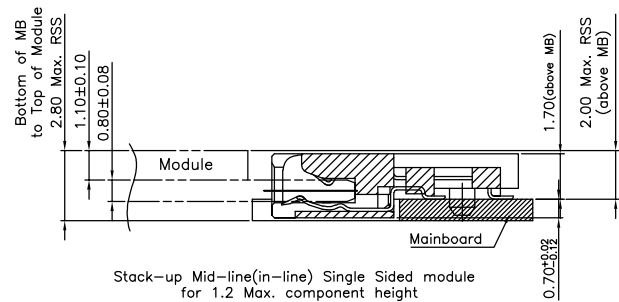
RECOMMENDED MOULD FINGER LAYOUT



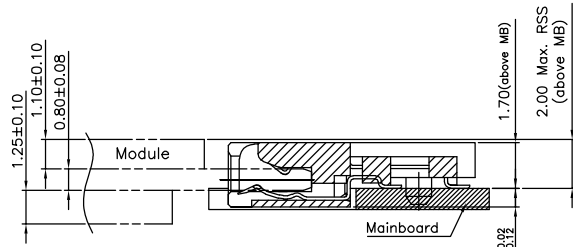
RECOMMENDED PCB LAYOUT(TOP VIEW)
DEFAULT TOLERANCE±0.05

TOLERANCE		深圳市东方御业科技有限公司 WWW.DFYCONN.COM TEL:0755-27155560	TITLE: NGFF SOCKET (M.2 CONNECTOR) MID-PLANE H=1.8mm,CH=0.32mm. STD. B KEY.DUAL SMT TYPE				
LINEAR	ANGLES		PART NO.:	DWG NO.:	UNITS	SCALE	SHEET
X. ± 0.50	X° . ± 2.0°		EAST-HN01101B007	MM	1:1	1 OF 3	A/0
.X ± 0.38	.X° ± 1.0°						
.XX ± 0.25	.XX° ±						
.XXX ± 0.15	.XXX° ±	APPD:	DRWN: Rocky	CHKD:	DATE: 2014-04-29		

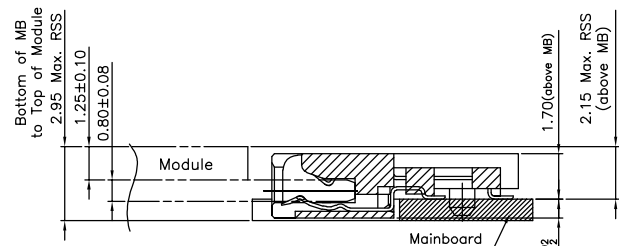
REV	LTR	DESCRIPTION	DATE	DWN
-----	-----	-------------	------	-----



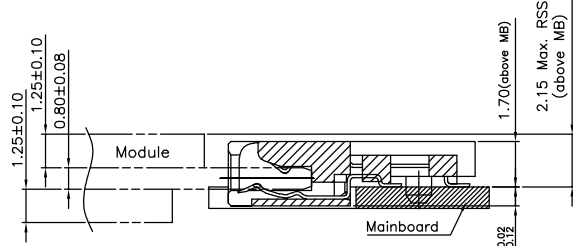
Stack-up Mid-line(in-line) Single Sided module for 1.2 Max. component height



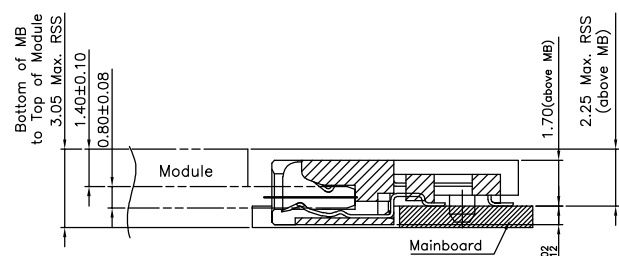
Stack-up Mid-line(in-line) Double Sided module for 1.2 Max. Top-sided component height



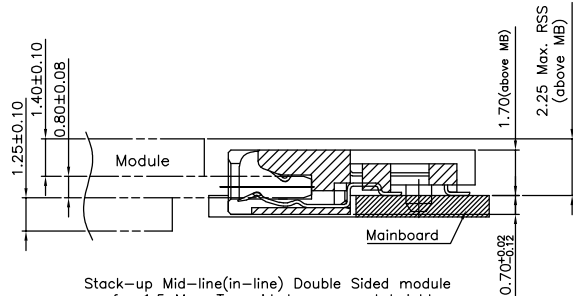
Stack-up Mid-line(in-line) Single Sided module for 1.35 Max. component height



Stack-up Mid-line(in-line) Double Sided module for 1.35 Max. Top-sided component height



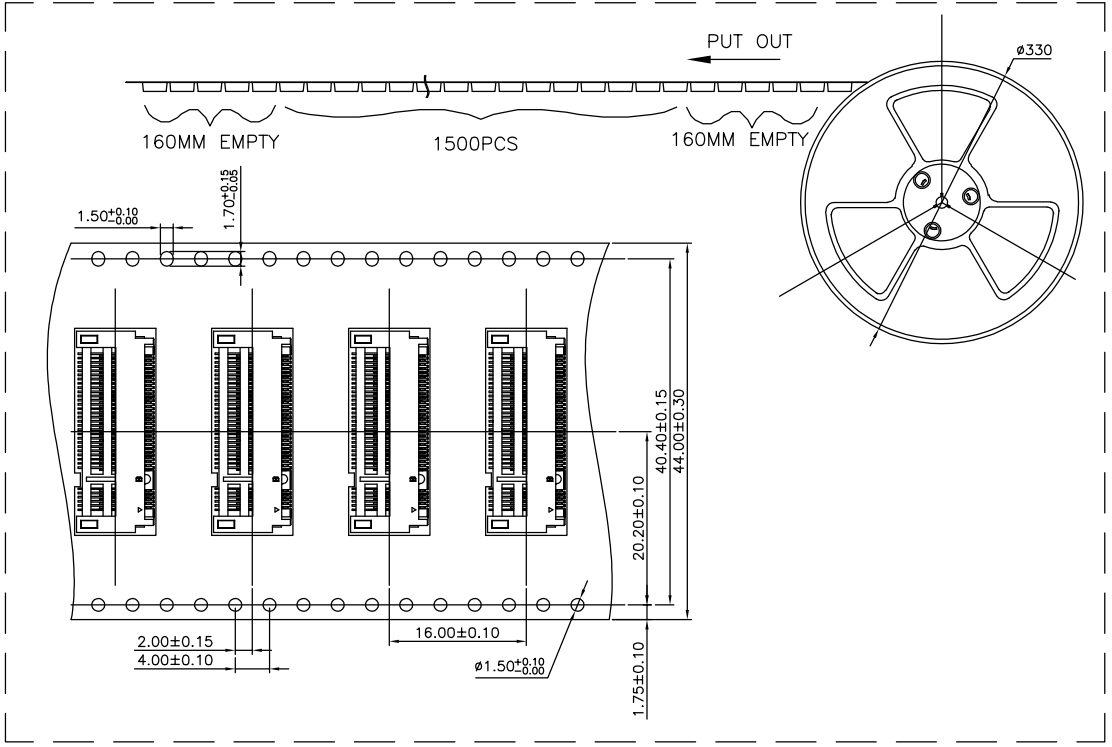
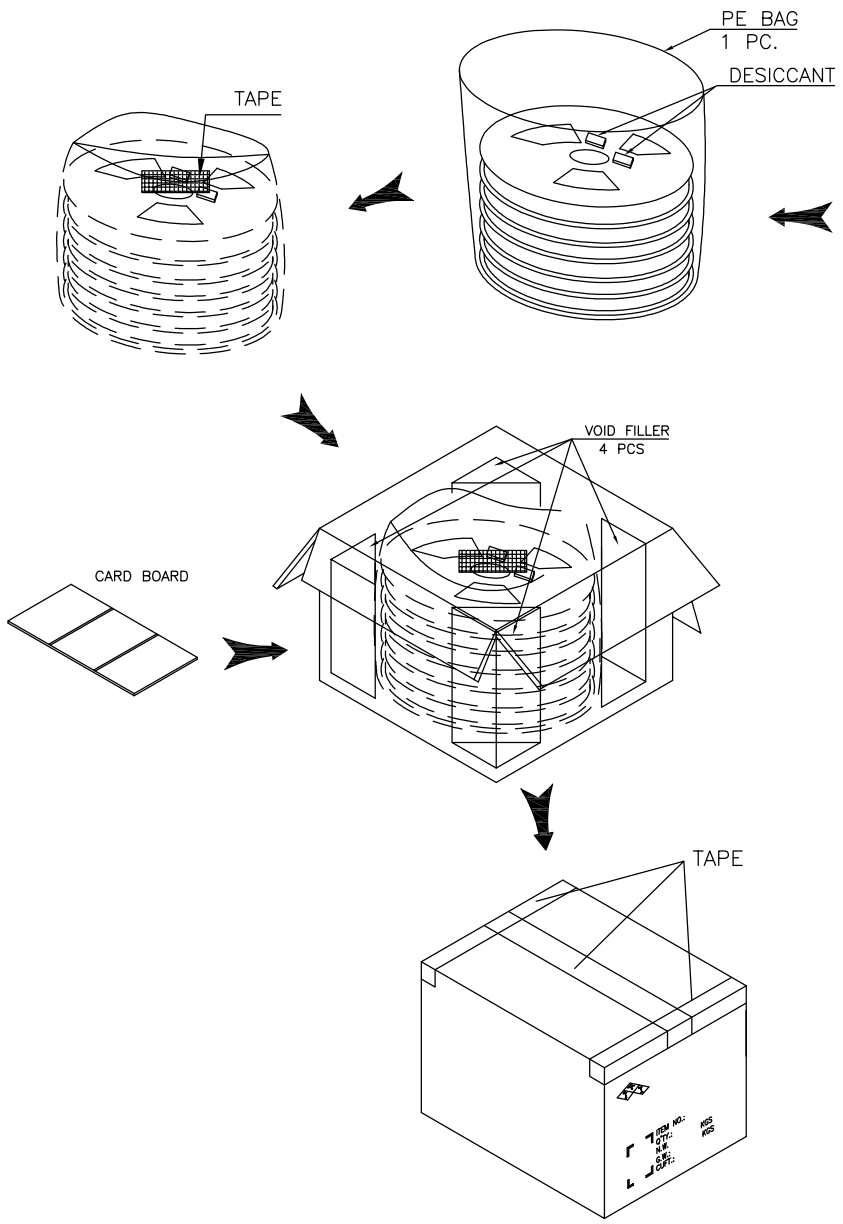
Stack-up Mid-line(in-line) Single Sided module for 1.5 Max. component height



Stack-up Mid-line(in-line) Double Sided module for 1.5 Max. Top-sided component height

TOLERANCE		深圳市东方御业科技有限公司 WWW.DFYCONN.COM TEL:0755-27155560	TITLE: NGFF SOCKET (M.2 CONNECTOR) MID-PLANE H=1.8mm,CH=0.32mm. STD. B KEY.DUAL SMT TYPE					
LINEAR	ANGLES		PART NO. :					
X. ± 0.50	X° . ± 2.0°		DWG NO. : EAST-HN01101B007					
.XX ± 0.38	.X° ± 1.0°		APPD:	DRWN: Rocky	UNITS	SCALE	SHEET	REV
.XXX ± 0.15	.XXX° ±		CHKD:	DATE: 2014-04-29	MM	1:1	1 OF 3	A/0

REV	LTR	DESCRIPTION	DATE	DWN
-----	-----	-------------	------	-----



- NOTES:
1. PEEL OFF FORCE OF TOP TAPE: 0.1~1.3N;
 2. 1500 PCS/REEL, 10500 PCS/CARTON;
 3. CARTON SIZE: 350*350*380MM.K=K.

TOLERANCE		深圳市东方御业科技有限公司 WWW.DFYCONN.COM TEL:0755-27155560	TITLE: NGFF SOCKET (M.2 CONNECTOR) MID-PLANE H=1.8mm.CH=0.32mm. STD. B KEY.DUAL SMT TYPE			
LINEAR	ANGLES		PART NO. : _____			
X. ± 0.50	X° ± 2.0°	DWGN: Rocky	UNITS: MM	SCALE: 1:1	SHEET: 1 OF 3	REV: A/0
.X ± 0.38	.X° ± 1.0°					
.XX ± 0.25	.XX° ±	APPD: _____	DATE: 2014-04-29	DWG NO. : EAST-HN01101B007		
.XXX ± 0.15	.XXX° ±	CHKD: _____				