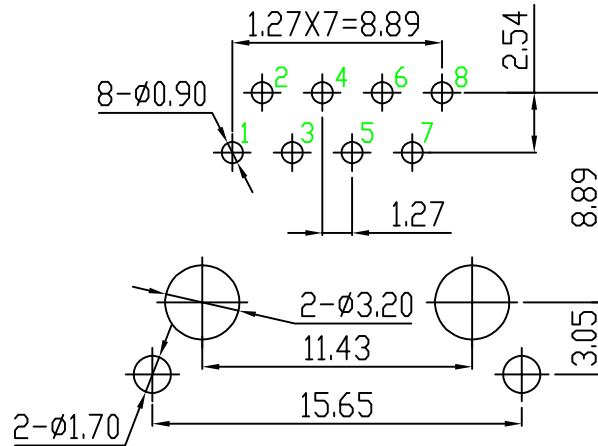
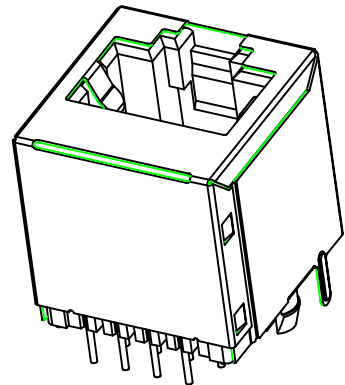
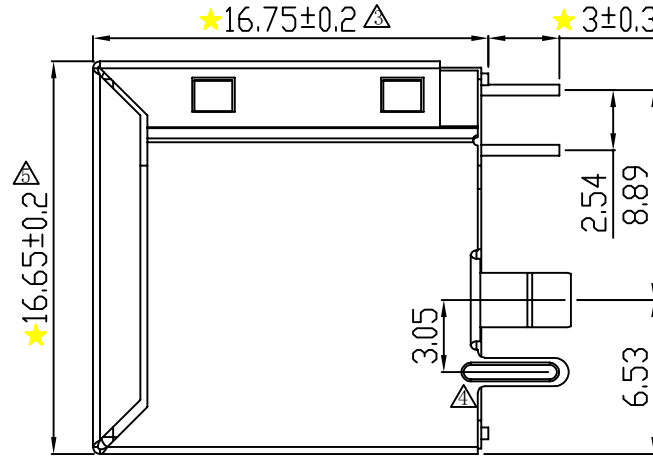
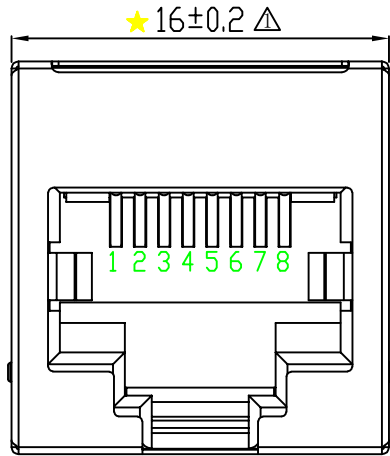
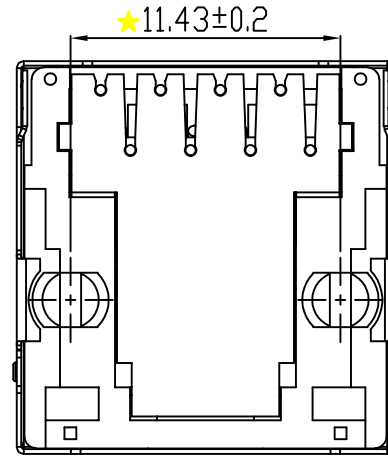
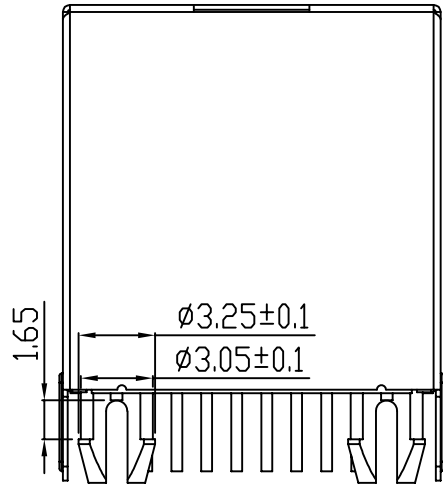


REV.	ECN NO.	MODIFY MATTER	DATE	APPROVED
A		RELEASE TO PRODUCTION		



PC Board Layout

NOTES:

ELECTRICAL:

1. VOLTAGE RATING: 125V AC.
2. CURRENT RATING: 1.5A.
3. CONTACT RESISTANCE: 30 mΩ MAX.
4. INSULATION RESISTANCE: 500 MΩ MIN @ 500V DC.
5. DIELECTRIC STRENGTH: 1000V AC 50Hz or 60Hz, 1MIN.

MECHANICAL:

1. INSERT MATERIAL: UL94V-0.
2. CONTACT MATERIAL: DIAMETER 0.46mm C51000(QSn4-0.3) PHOSPHOR BRONZE GOLD PLATING OVER NICKEL.
3. SHIELD: 0.20mm THICKNESS H65Y BRASS NICKEL PLATED.
4. MATING/UNMATING FORCE: 2.2KG.F MAX.
5. RETENTION STRENGTH: 7.7KG.F MIN BETWEEN JACK AND PLUG.
6. OPERATING LIFE: 750 CYCLES MIN.

ENVIRONMENTAL:

1. STORAGE: -40°C ~ +85°C RELATIVE HUMIDITY<70%.
2. OPERATION: -40°C ~ +85°C.

Remark:

1. The mark with★ is the key inspection dimension for QC.

EAST-52F-31880113101

- CONTACTS (金针根数):
- 8-8CONTACTS (8C)
- PEG/TAB (边定位铁脚):
- 1-FRONT PEG3.05 (前脚3.05)
- PLASTIC (塑料):
- 1-PBT;
- 2-NYLON66 (尼龙66);
- 3-NYLON46 (尼龙46)
- COLOR (颜色):
- 1-BLACK (黑色); 5-YELLOE (黄色);
- 6-RED (红色); 8-BLUE (蓝色)
- GOLD PLATING (镀金厚度):
- 1-FU"; 2-1.5U"; 3-3U"; 4-6U";
- 5-15U"; 6-30U"; 7-50U"

TOLERANCES UNLESS OTHERWISE SPECIFIED: X. --- X.X ± 0.38 X.XX ± 0.25 X.XXX ± 0.10 Angle ± 1°	CUSTOMER COPY	深圳市东方御业科技有限公司 WWW.DFYCONN.COM TEL:0755-27155560		
	DRAWN: CHENLEI	2017/09/10	TITIAL: 5224S 1X1 8P8C F3.05	
THESE DRAWING AND SPECIFICATION ARE THE PROPERTY OF Shenzhen Dongfangyue ELECTRONIC CO., LTD. SHALL NOT BE REPRODUCED.	CHECKED: CHENLEI	2017/09/10	PART NO: EAST-52F-31880113101	
	APPROVED: QINKAIXING	2017/09/10	UNIT: mm	SCALE: N/A
			SHEET: 1:1	REV.