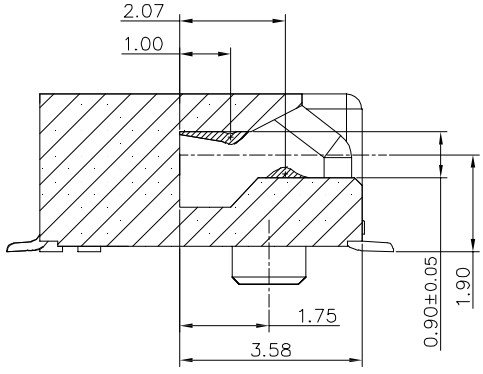
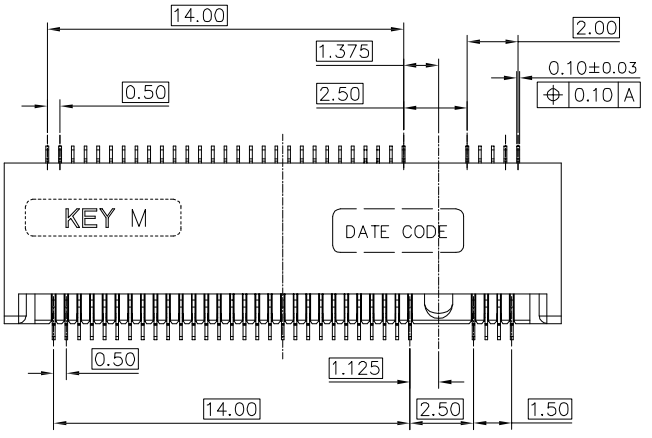
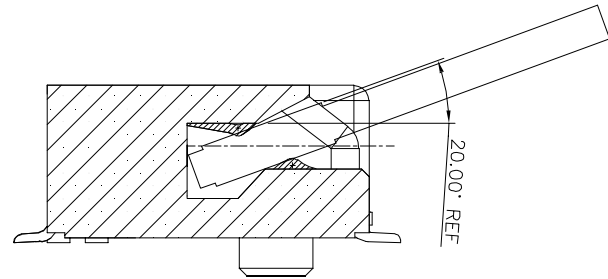
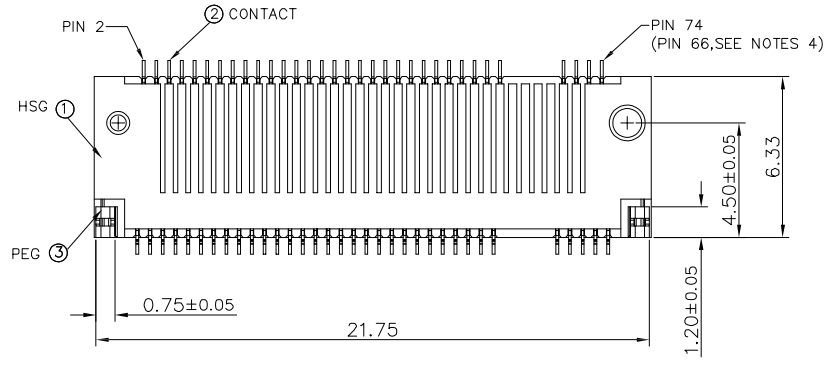
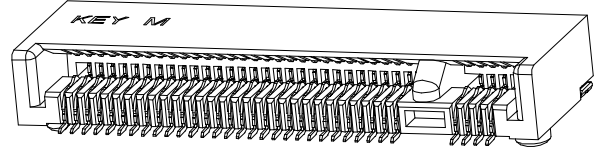
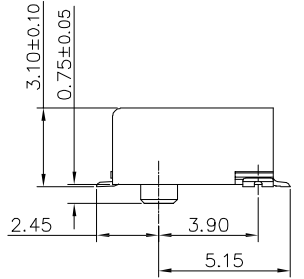
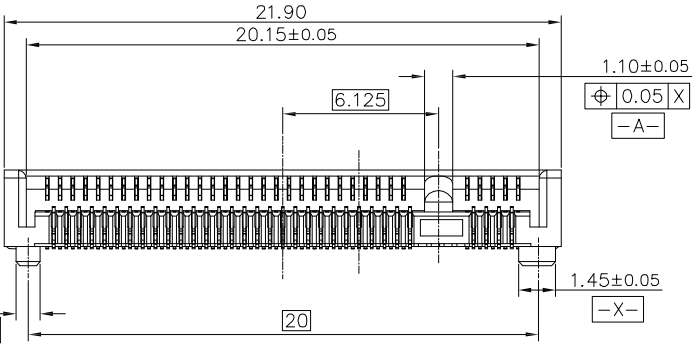


REV	LTR	DESCRIPTION	DATE	DWN
-----	-----	-------------	------	-----



NOTES:  
 1.MATERIAL:  
 1.1 HOUSING:HIGH TEMPERATURE THERMOPLASTIC, UL94V-0,COLOR:BLACK.  
 1.2. CONTACT:COPPER ALLOY.  
 1.3. SOLDER PEG:STAINLESS STEEL.  
 2. FINISH:  
 2.1 CONTACT:UNDERPLATING NICKEL 50u" MIN ALL OVER. MATING AREA: GOLD PLATING, THICKNESS SEE TABLE LIST. SOLDER AREA: GOLD FLASH ON SOLDER TAIL.  
 2.2 SOLDER PEG:UNDERPLATING NICKEL 50u" MIN ALL OVER,80u" MIN MATTE TIN ON SURFACE  
 3. LOGO&DATE CODE : YYWDLX  
 YY: YEAR (09: 2009)  
 WW: WEEK (25: THE 25TH WEEK)  
 D: DAY (1~7: SUNDAY~SATURDAY)  
 L: LINE NUMBER OF ASSEMBLY (A: LINE A)  
 X: D OR N (D: DAY; N: NIGHT)  
 4.CONNECTOR ACTUAL PIN QUANTITY IS 67, AS THE KEY TAKING OUT 8 PINS.  
 5.PART NUMBER DESCRIPTION:



MATING SIMILAR  
SCALE: 2:1

\*CHNEAST INFORMATION:\*  
 EAST-067 31 X 25 K1 B R

No. of Pins  
 Plating:  
 A-FlashGold (0.8u" Min)  
 B-Gold 3u" Au  
 C-Gold 5u" Au  
 D-Gold 10u" Au  
 E-Gold 15u" Au  
 G-Gold 30u" Au

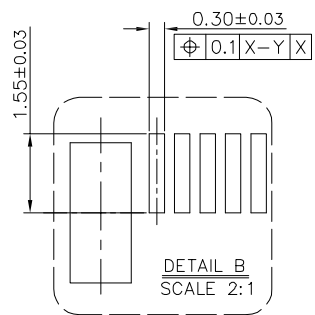
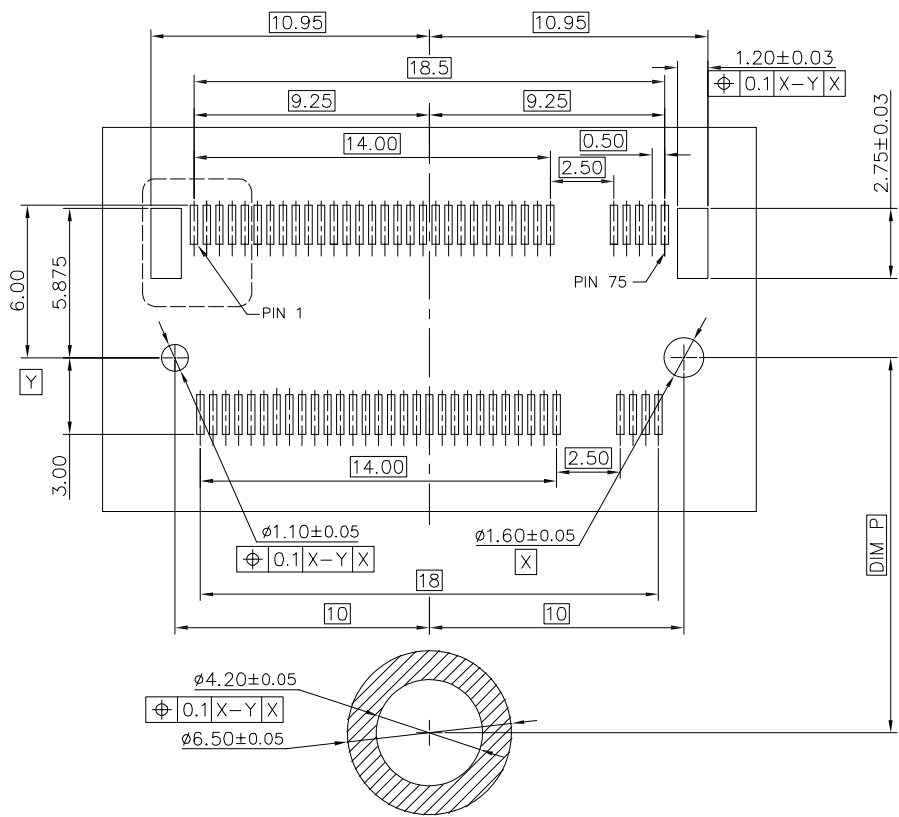
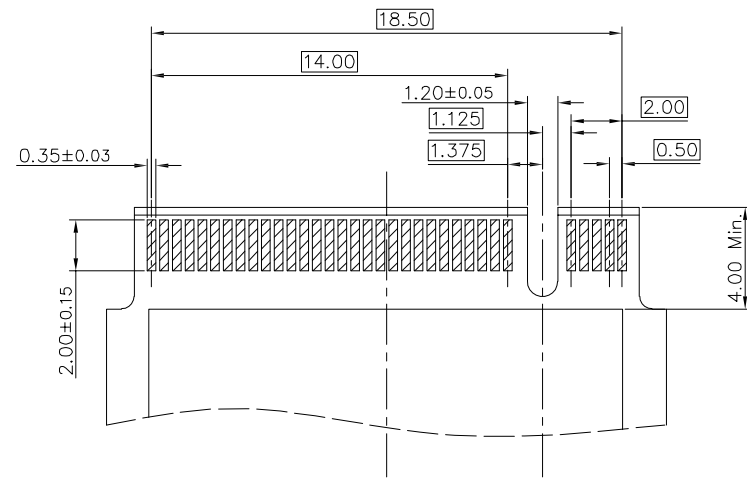
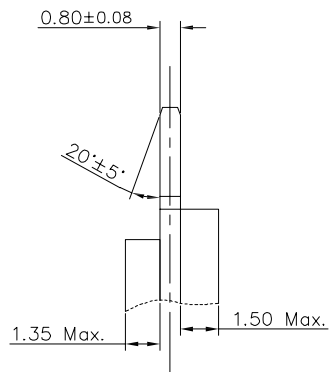
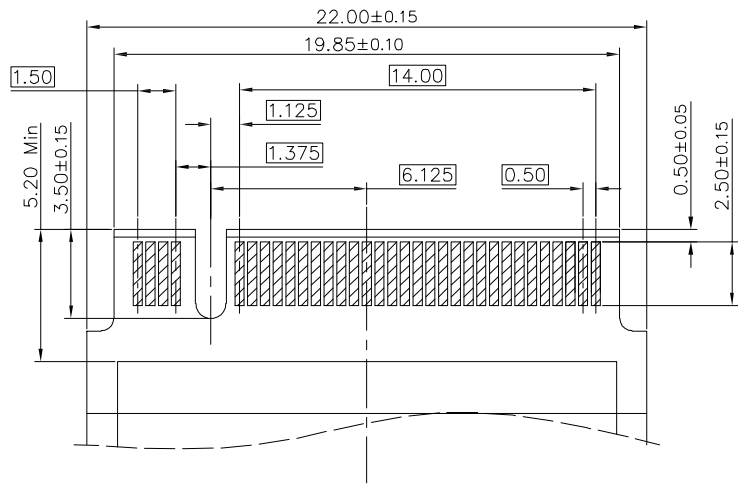
Environment Protection:  
 R for RoHS  
 G for GP  
 H for Halogen-free

Packing:  
 A-Tube, B-Reel, C-Tray,

HSG Color:  
 K1Black, L1White .....

TOLERANCE		深圳市东方御业科技有限公司		TITLE: NGFF M.2 H3.1mm M.KEY			
LINEAR	ANGLES	WWW.DFYCONN.COM TEL:0755-27155560		PART NO.: EAST-06731X25K1BR			
X. ±0.50	X° . ±2.0°			DWG NO.:			
.X ±0.38	.X° ±1.0°						
.XX ±0.25	.XX° ±	APPD:	DRWN: Rocky	UNITS	SCALE	SHEET	REV
.XXX ±0.15	.XXX° ±	CHKD:	DATE: 2014-04-29	MM	1:1	1 OF 3	A/0

REV	LTR	DESCRIPTION	DATE	DWN
-----	-----	-------------	------	-----

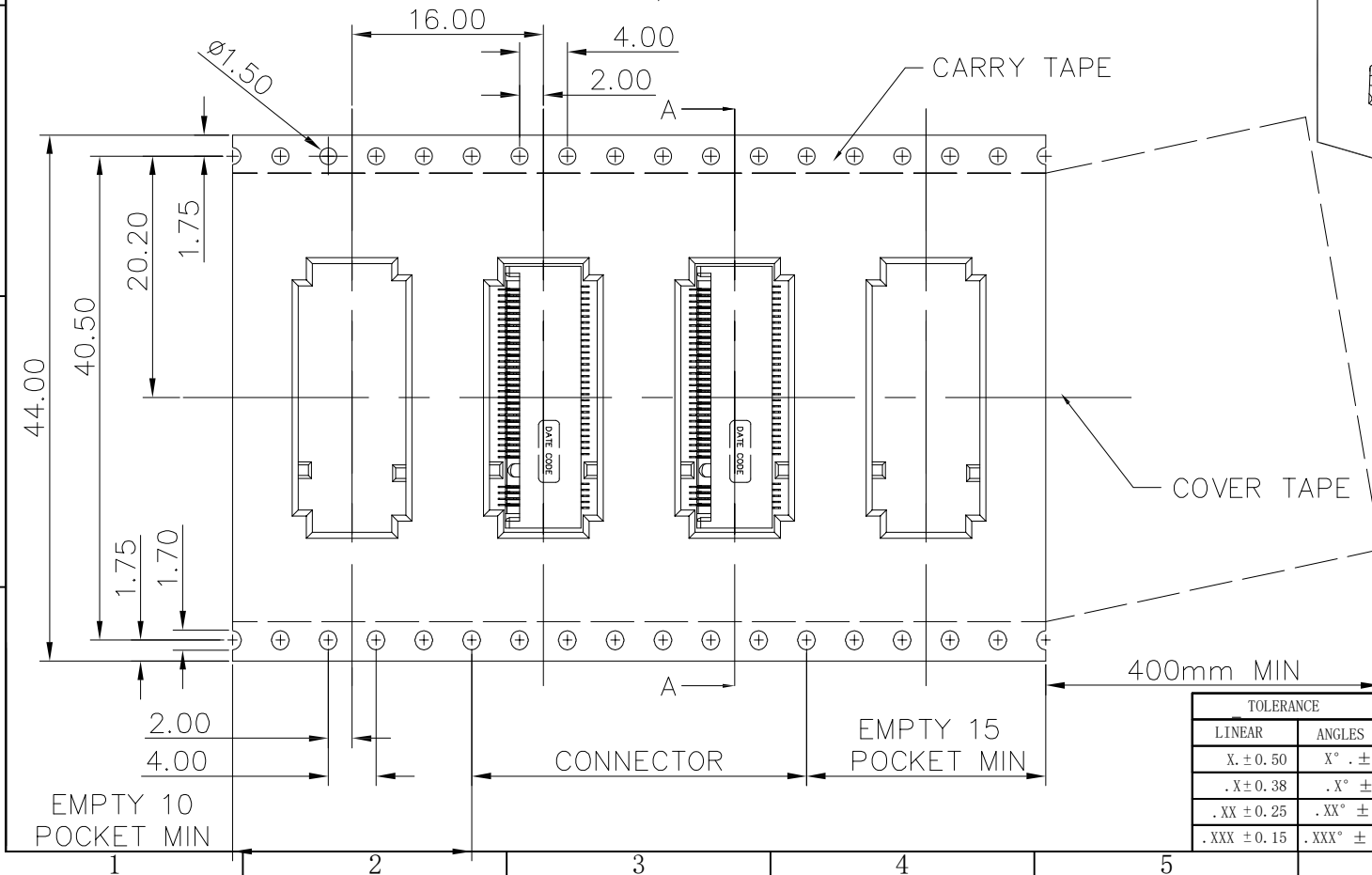
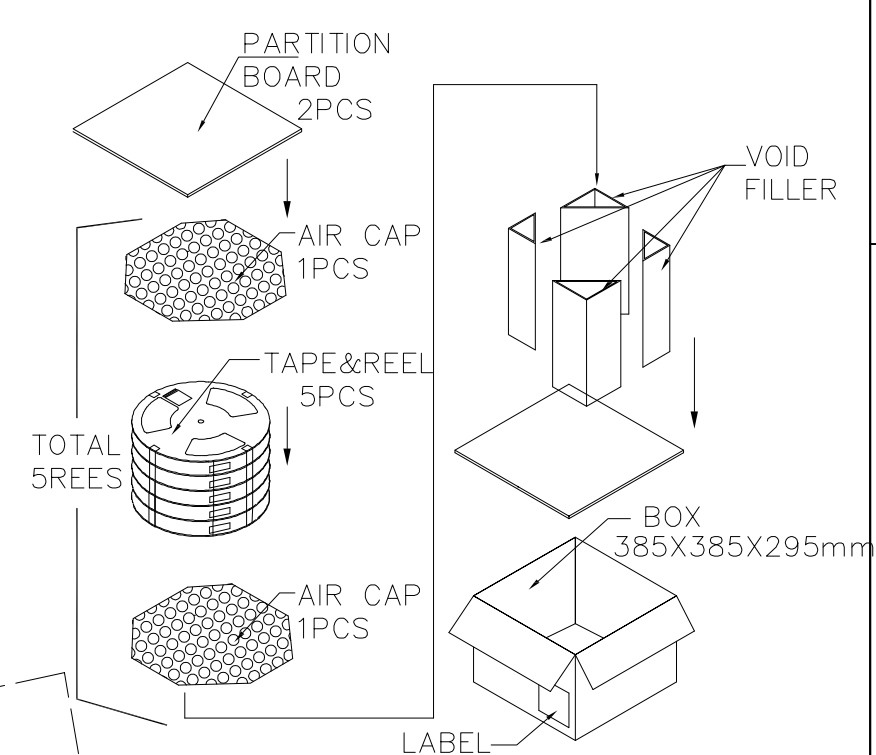
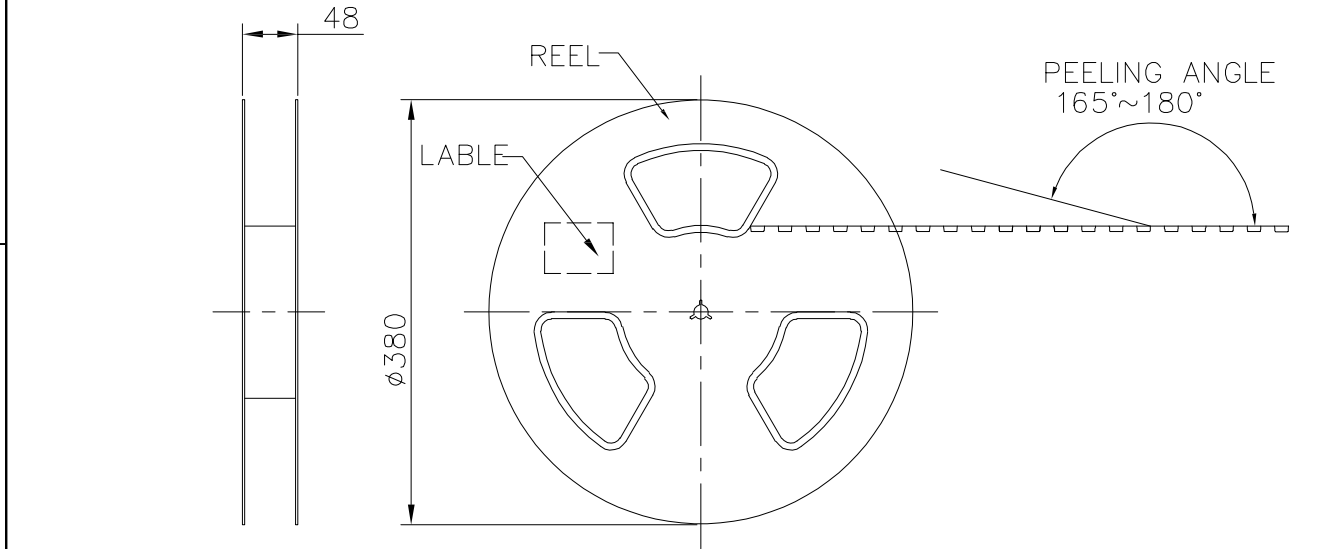


TOLERANCE		TITLE:	
LINEAR	ANGLES	NGFF M.2 H3.1mm M.KEY	
X. ± 0.50	X° . ± 2.0°	PART NO. : EAST-06731X25K1BR	
.X ± 0.38	.X° ± 1.0°	DWG NO. :	
.XX ± 0.25	.XX° ±	APPD:	DRWN: <b>Rocky</b>
.XXX ± 0.15	.XXX° ±	CHKD:	DATE: 2014-04-29

深圳市东方御业科技有限公司			
WWW.DFYCONN.COM TEL:0755-27155560			
UNITS	SCALE	SHEET	REV
MM	1:1	1 OF 3	A/0

REV	LTR	DESCRIPTION	DATE	DWN
-----	-----	-------------	------	-----



1400	5	7000	8.7	3.43Kg
PCS/TAPE	REELS/BOX	PCS/BOX	GROSS WEIGHT	NET WEIGHT

TOLERANCE	
LINEAR	ANGLES
.X ± 0.50	.X° ± 2.0°
.XX ± 0.38	.XX° ± 1.0°
.XXX ± 0.25	.XXX° ±
.XXX ± 0.15	.XXX° ±

深圳市东方御业科技有限公司 WWW.DFYCONN.COM TEL:0755-27155560		TITLE: NGFF M.2 H3.1mm M.KEY PART NO.: EAST-06731X25K1BR DWG NO.:	
APPD:	DRWN: Rocky		UNITS
CHKD:	DATE: 2014-04-29		SCALE
		SHEET	REV
		1 OF 3	A/0