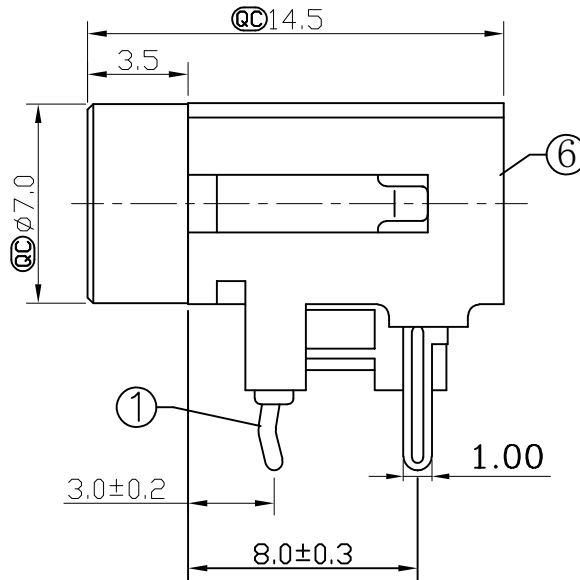
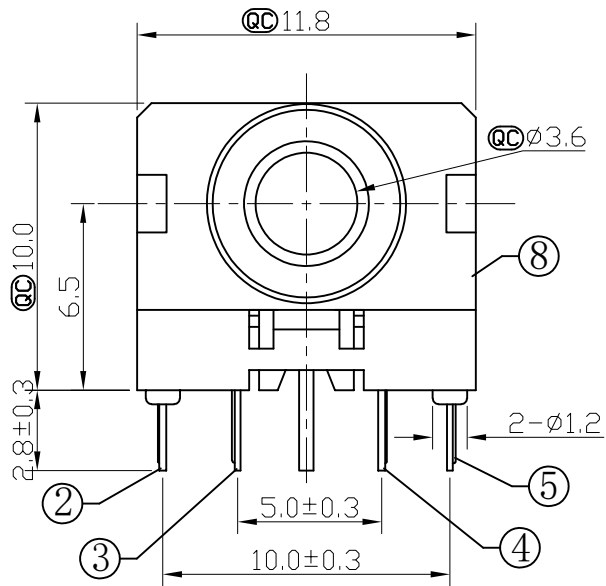


| REV. | ECN NO. | MODIFY MATTER         | DATE | APPROVED |
|------|---------|-----------------------|------|----------|
| A    |         | RELEASE TO PRODUCTION |      |          |

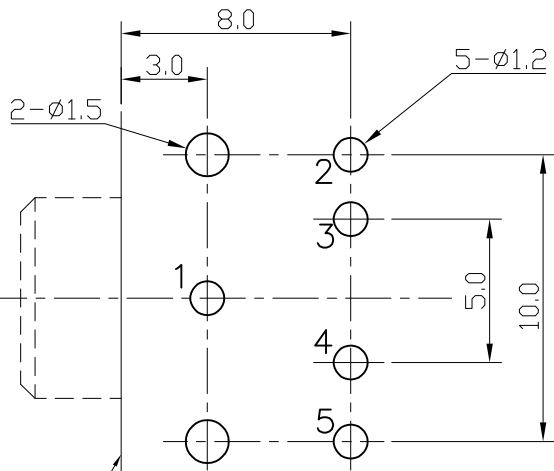


### SPECIFICATION

1. Rating : DC 30V 0.5A;
2. Contact resistance:  $\leq 0.03 \Omega$ ;
3. Insulation resistance:  $\geq 100M \Omega$  (DC250V);
4. Withstand voltage: 500VAC ;
5. Insertion and extraction force: 3-20N;
6. life test: 5,000 cycles.

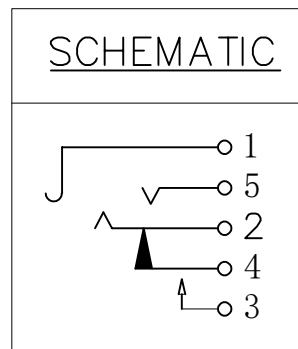
EAST-D3088A-X

塑胶颜色:  
 B: 黑色  
 P: 粉红色  
 G: 粉绿色



P.C.B EDGF

P.C.B LAYOUT  
TOP VIEW



| NO. | DESCRIPTION  | QTY | MATERIAL | REMARK     |
|-----|--------------|-----|----------|------------|
| 6   | HOUSING      | 1   | PBT      |            |
| 5   | SPRING PIECE | 1   | C5191    | Ag-Plating |
| 4   | CONTACTFOOT  | 1   | SUS301   | Ag-Plating |
| 3   | CONTACTFOOT  | 1   | BRASS    | Ag-Plating |
| 2   | SPRING PIECE | 1   | C5191    | Ag-Plating |
| 1   | CONTACTFOOT  | 1   | BRASS    | Ag-Plating |

|  |  |  |  |   |  |
|--|--|--|--|---|--|
| TOLERANCES UNLESS OTHERWISE SPECIFIED:<br>X. ---<br>X.X ± 0.38<br>X.XX ± 0.25<br>X.XXX ± 0.10<br>Angle ± 1°            |  | COSTOMER COPY  |  | <b>深圳市东方御业科技有限公司</b><br>WWW.DFYCONN.COM TEL:0755-27155560   |  |
| THESE DRAWING AND SPECIFICATION ARE THE PROPERTY OF Shenzhen Dongfangyue ELECTRONIC CO., LTD. SHALL NOT BE REPRODUCED. |  | DRAWN: CHENLEI<br>CHECKED: CHENLEI<br>APPROVED: QINKAIXING | 2017/09/10<br>2017/09/10<br>2017/09/10 | TITIAL: PHONE JACK 无前弹片<br>PART NO: EAST-D3088A-X<br>UNIT: mm<br>SCALE: N/A<br>SHEEL: 1:1<br>REV. |  |